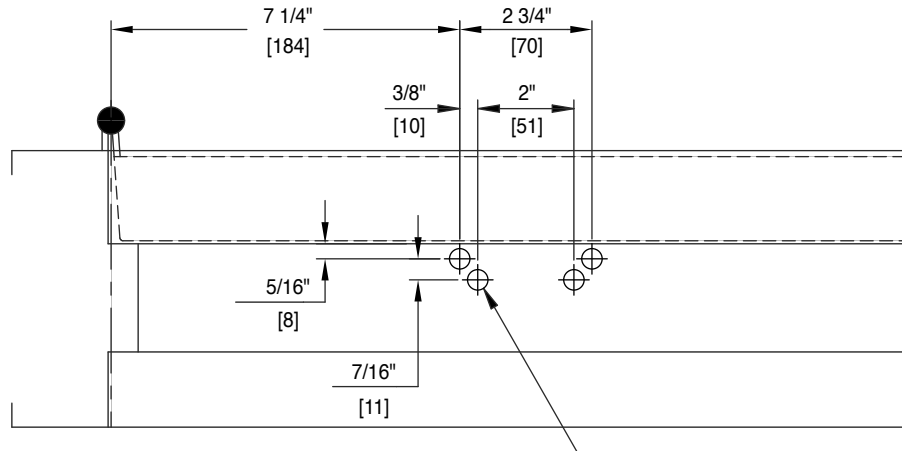
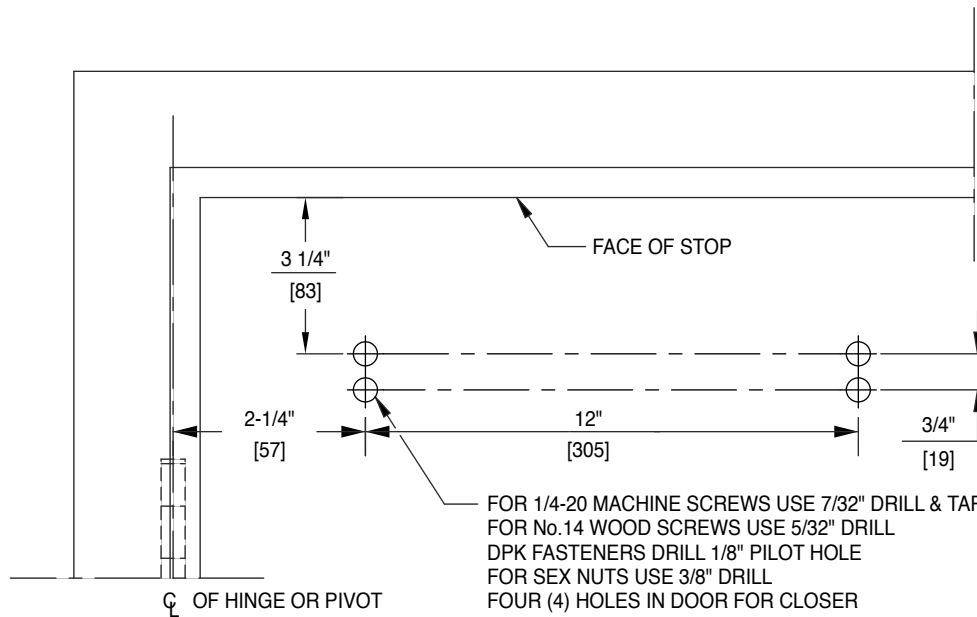


Door Closer Models: HD7016 A08P
Parallel Arm (Push Side Mount)
Template/Drilling Instructions

Always consult BEST's website for the latest template at
<https://dhwsupport.dormakaba.com/hc/en-us> or call 1-800-392-5209.



FOR 1/4-20 MACHINE SCREWS USE 7/32" DRILL
 FOR No.14 WOOD SCREWS USE 5/32" DRILL
 DPK FASTENERS DRILL 1/8" PILOT HOLE
 FOUR (4) HOLES IN FRAME FOR PA BRACKET



FOR 1/4-20 MACHINE SCREWS USE 7/32" DRILL & TAP
 FOR No.14 WOOD SCREWS USE 5/32" DRILL
 DPK FASTENERS DRILL 1/8" PILOT HOLE
 FOR SEX NUTS USE 3/8" DRILL
 FOUR (4) HOLES IN DOOR FOR CLOSER

NOTES:

1. DO NOT SCALE DRAWING.
2. DIMENSIONS ARE IN INCHES/(MM).
3. LEFT HAND DOOR SHOWN.
4. CAUTION: SEX NUTS ARE REQUIRED FOR ATTACHMENT OF COMPONENTS TO UNREINFORCED DOORS AND TO WOOD OR PLASTIC FACED COMPOSITE TYPE FIRE DOORS, UNLESS AN ALTERNATIVE METHOD IS IDENTIFIED IN THE INDIVIDUAL DOOR MANUFACTURER'S LISTINGS.
5. MAX. OPENING IS 180°.
6. DPK FASTENERS FOR STEEL DOOR & FRAME ONLY.

