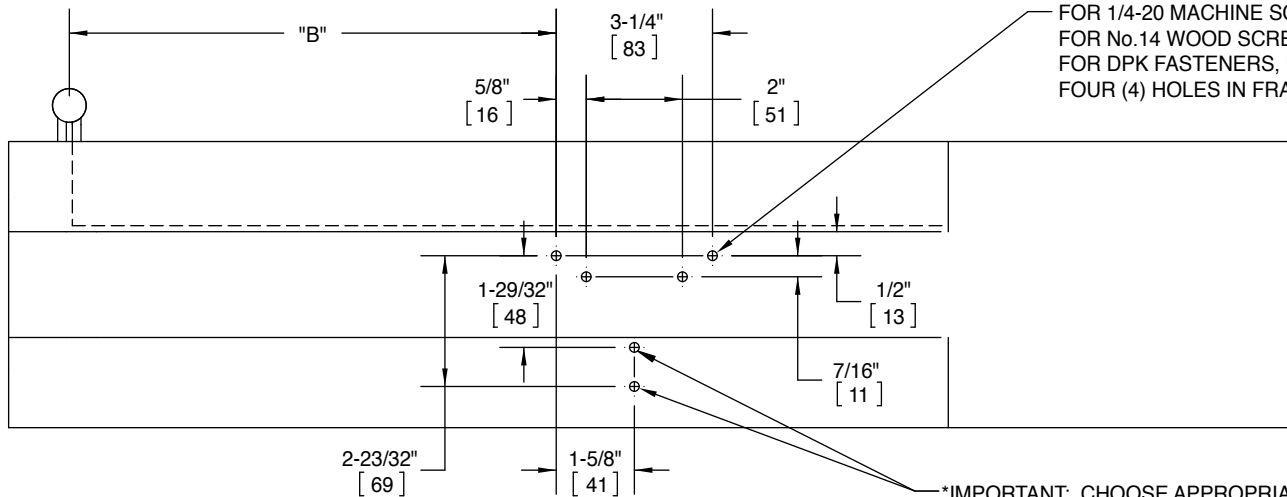


**Door Closer Models: HD7016 DST
Door Saver (Parallel Arm Mount)
for Use with Standard Spacer Block
for Use with Optional NFHD Bracket
Template/Drilling Instructions**

Always consult BEST's website for the latest template at
<https://dhwsupport.dormakaba.com/hc/en-us> or call 1-800-392-5209.

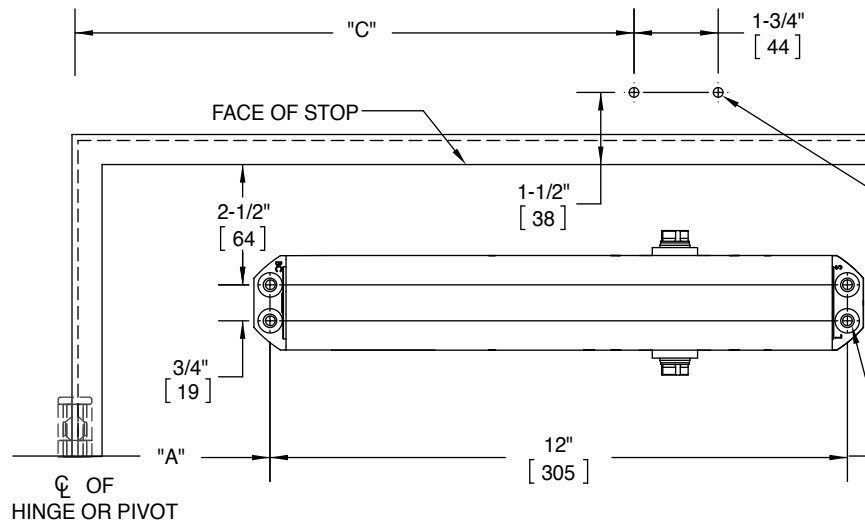


FOR 1/4-20 MACHINE SCREWS, USE 13/64" OR #7 DRILL & TAP
FOR No.14 WOOD SCREWS, USE 5/32" DRILL
FOR DPK FASTENERS, USE 1/8" DRILL
FOUR (4) HOLES IN FRAME ARE FOR SOFFIT PLATE

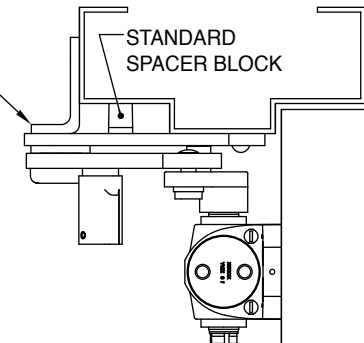
NOTES:

- 1) DO NOT SCALE THIS DRAWING
- 2) DIMENSIONS ARE IN INCHES / [MM]
- 3) LEFT HAND DOOR IS SHOWN
- 4) CAUTION: SEX NUTS ARE REQUIRED FOR ATTACHMENT OF COMPONENTS TO UNREINFORCED DOORS AND TO WOOD OR PLASTIC FACE COMPOSITE TYPE FIRE DOORS, UNLESS AN ALTERNATIVE METHOD IS IDENTIFIED IN THE INDIVIDUAL DOOR MANUFACTURER'S LISTINGS
- 5) FOR FRAME WIDTHS 4-1/2" AND LESS, USE OPTIONAL NFHD BRACKET W/O STANDARD SPACER BLOCK
- 6) MINIMUM DOOR WIDTH IS 26"
- 7) DPK FASTENERS FOR STEEL DOOR & FRAME ONLY.

*IMPORTANT: CHOOSE APPROPRIATE FIFTH HOLE LOCATION FOR SPACER BLOCK, IN ACCORDANCE WITH FRAME WIDTH. ONE (1) HOLE IN FRAME FOR STANDARD BLOCK. PREPARE HOLE THE SAME AS SOFFIT PLATE HOLES



FOR 1/4-20 MACHINE SCREWS, USE 13/64" OR #7 DRILL & TAP
FOR No.14 WOOD SCREWS, USE 5/32" DRILL
FOR DPK FASTENERS, USE 1/8" DRILL
OPTIONAL TWO (2) HOLES IN FRAME ARE FOR NFHD BRACKET



FOR 1/4-20 MACHINE SCREWS, USE 13/64" OR #7 DRILL & TAP
FOR No.14 WOOD SCREWS, USE 5/32" DRILL
FOR DPK FASTENERS, USE 1/8" DRILL
FOR SEX NUTS, USE 3/8" DRILL
FOUR (4) HOLES IN DOOR ARE FOR CLOSER (SHOWN)

ANGLE OF HOLD OPEN	ANGLE OF CUSHION	DIM. "A" (CLOSER)	DIM. "B" (SOFFIT PLATE)	DIM. "C" (NFHD BRACKET)
85°	86° - 88°	4-13/16" [122]	10-7/8" [276]	11-3/4" [298]
90°	91° - 93°	4-1/16" [103]	10-1/8" [257]	11" [279]
100°	101° - 103°	2-11/16" [68]	8-3/4" [222]	9-5/8" [244]
110°	111° - 113°	1-11/16" [43]	7-3/4" [197]	8-5/8" [219]