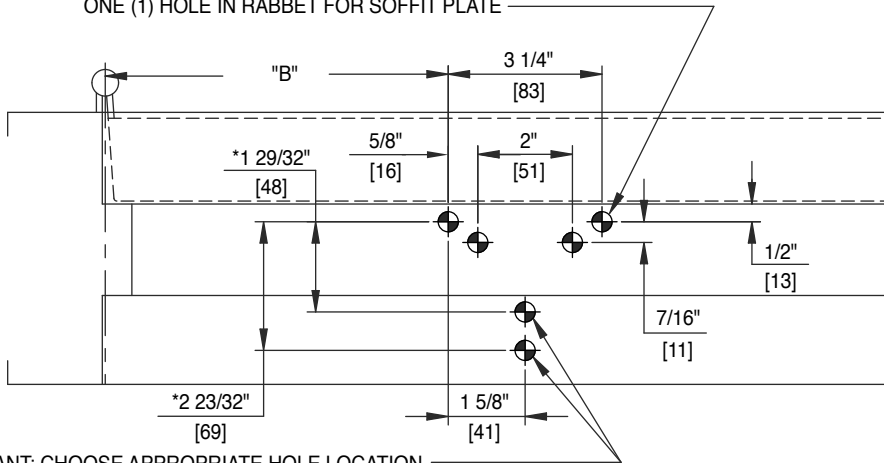


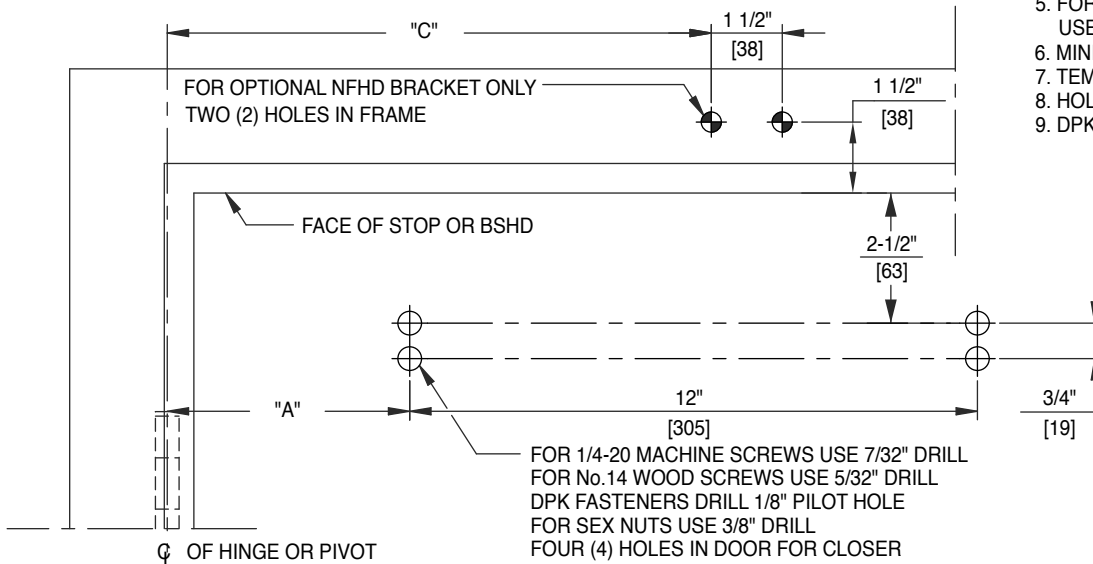
Door Closer Models: HD7016 DS
Door Saver Parallel Arm (Push Side Mount)
with Standard Spacer Block
Optional NFHD Bracket and BSHD Blade Stop Spacer Block
Template/Drilling Instructions

Always consult BEST's website for the latest template at
<https://dhwsupport.dormakaba.com/hc/en-us> or call 1-800-392-5209.

FOR 1/4-20 MACHINE SCREWS USE 7/32" DRILL
 FOR No.14 WOOD SCREWS USE 5/32" DRILL
 DPK FASTENERS DRILL 1/8" PILOT HOLE
 FOUR (4) HOLES IN STOP
 ONE (1) HOLE IN RABBET FOR SOFFIT PLATE



*IMPORTANT: CHOOSE APPROPRIATE HOLE LOCATION
 FOR SPACER BLOCK, IN ACCORDANCE WITH FRAME WIDTH.



ANGLE OF OPENING DEADSTOP	DIM. "A" CLOSER	DIM. "B" SOFFIT PLATE	DIM. "C" (NFHD) BRACKET OPTIONAL
85°	5-1/8 (130)	11 (279)	11-7/8 (302)
90°	4-3/8 (111)	10-1/4 (260)	11-1/8 (283)
100°	3-1/8 (79)	9 (229)	9-7/8 (251)
110°	2 (51)	7-7/8 (200)	8-3/4 (222)

NOTES:

- DO NOT SCALE DRAWING.
- DIMENSIONS ARE IN INCHES/(MM).
- LEFT HAND DOOR SHOWN.
- CAUTION: SEX NUTS ARE REQUIRED FOR ATTACHMENT OF COMPONENTS TO UNREINFORCED DOORS AND TO WOOD OR PLASTIC FACED COMPOSITE TYPE FIRE DOORS, UNLESS AN ALTERNATIVE METHOD IS IDENTIFIED IN THE INDIVIDUAL DOOR MANUFACTURER'S LISTINGS.
- FOR FRAME WIDTHS 4-1/2" AND LESS USE OPTIONAL (NFHD) BRACKET.
- MINIMUM DOOR WIDTH 28".
- TEMPLATE BASED ON 4-1/2" x 4-1/2" BUTT HINGES.
- HOLD OPEN AND DEAD STOP ARE SAME LOCATION.
- DPK FASTENERS FOR STEEL DOOR & FRAME ONLY.

