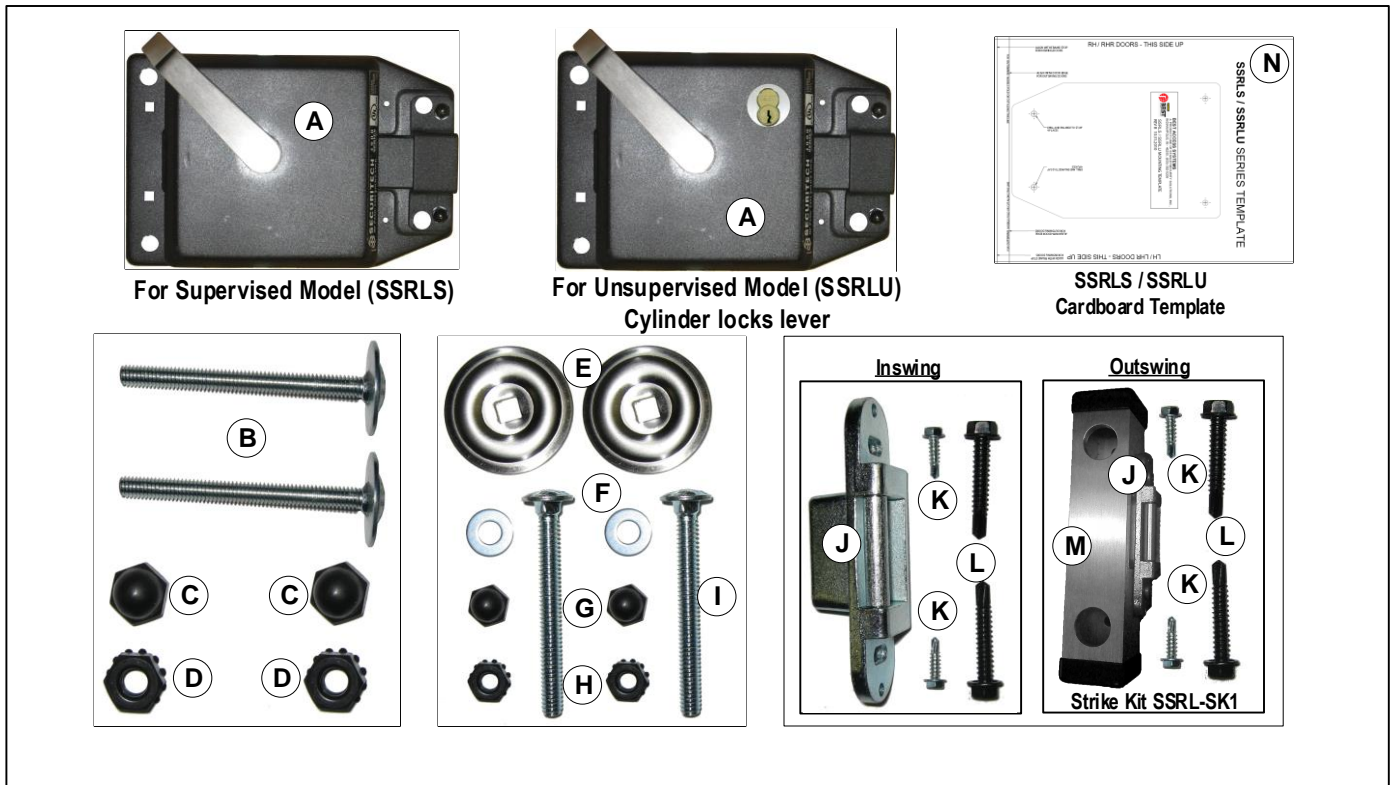


## Packing List



QTY.	ITEM	QTY.	ITEM
(A) 1	Main Lock Body	(K) 2	8 x 5/8" Hex Washer head Self-Drilling Screw
(B) 2	1/4" - 20 x 2 - 3/4" Carriage Bolts & washer Assy.	(L) 2	14 x 1 - 1/2" Hex Washer head Self-Drilling Screw
(C) 2	1/4" - 20 Acom Cap Nuts	(M) 1	Outswing Strike Bracket (strike pre-installed)
(D) 2	1/4" - 20 K - Lock Nuts	(N) 1	SSRLS / SSRLU Cardboard Template
(E) 2	Stamped Washer		
(F) 2	1/4" Flat Washer		
(G) 2	1/4" - 20 Acom Cap Nuts		
(H) 2	1/4" - 20 K - Lock Nuts		
(I) 2	1/4" - 20 x 2 - 1/2" Carriage Bolts		
(J) 1	Strike		

**Note: Strike Kit (SK1) for single point out-swing doors may be ordered separately with SSRLS-1 or SSRLU-1.**

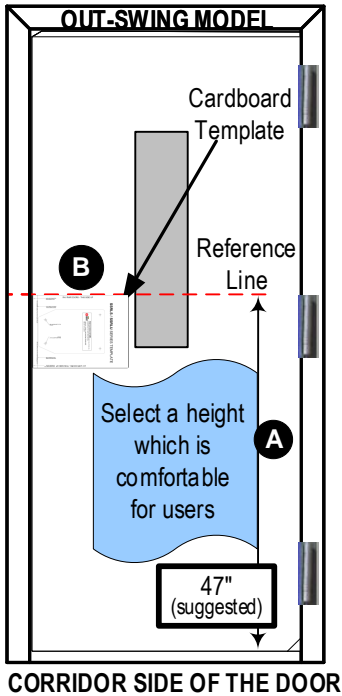
**BEST ACCESS SYSTEMS**  
A division of dormakaba  
Indianapolis, IN - 46250  
(855) 365-2407

The locksets are handed. when unlocked, the lever should point upward for RHR /downward for LHR.

## DOOR MARKING & DRILLING:

**IMPORTANT:** Make sure the door swings free and smooth before you begin the installation. Remove all old locks, exit devices, any slide bolts or other hardware & brackets. Make sure any exposed holes left from previous hardware are completely covered after installation.

**Make any adjustments to make the door swing FREELY before you start marking and installing.**

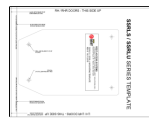


### OUT SWING:

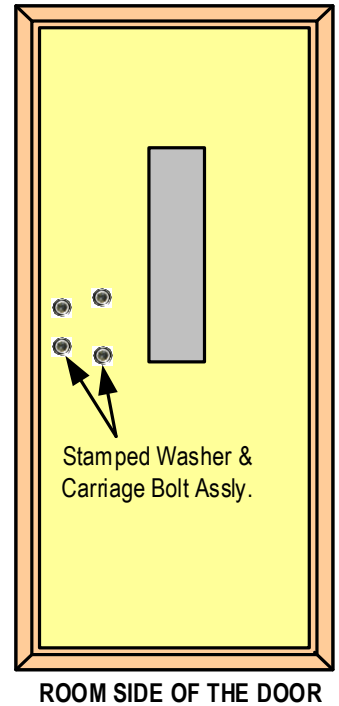
- 1) **A** Mark a horizontal reference line on the corridor side of the door, at a height of 47" from the bottom of the door (not floor). Extend the line to the hinge side of the door.
- 2) **B** Line up the template with the horizontal reference line and the door edge then tape it to the door. Please refer the cardboard template to mark and drill the holes. Drill (4) 3/8" through holes (TIP: Start with 1/8"). Make sure you drill level.

### IN SWING:

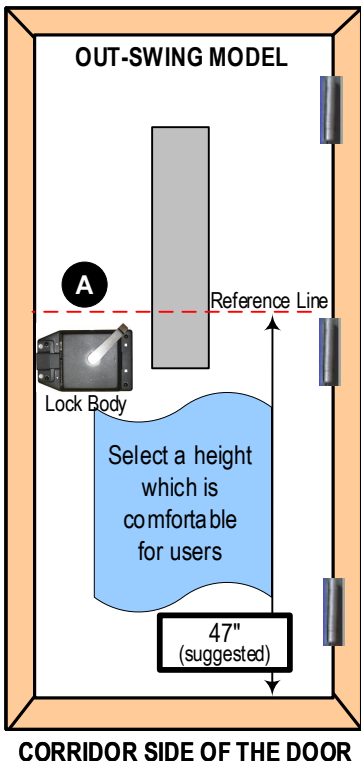
- 1) **A** Mark a horizontal reference line on the corridor side of the door, at a height of 47" from the bottom of the door (not floor). Extend the line to the hinge side of the door.
- 2) **B** Align the template with the horizontal reference line and the frame stop then tape it to the door. Please refer the cardboard template to mark and drill the holes. Drill (4) 3/8" through holes (TIP: Start with 1/8"). Make sure you drill level.



SSRLS / SSRLU  
Cardboard Template



## LOCK BODY INSTALLATION:



- 1) **A** Align the mounting plate of the lock body with (4) drilled holes on the door. Install Fasteners as follows:
- 2) **B** Lock Body Front Holes: (2) 2-3/4" long carriage bolts & washer assly., k-lock nuts & acorn caps.



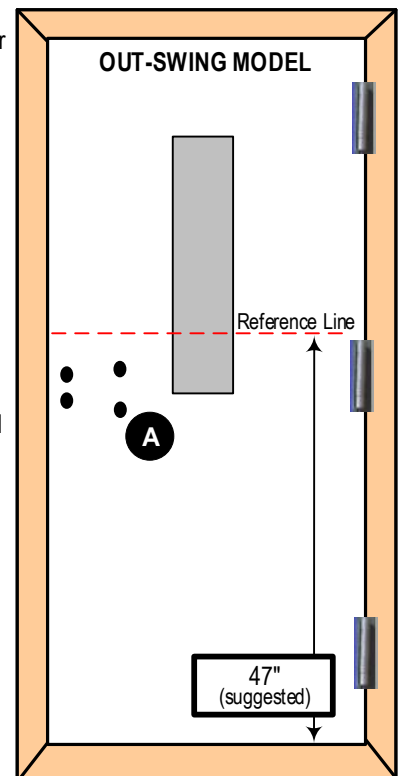
**B**  
Carriage bolts & washer Assly.thru door, "K" Lock Nuts, Acorn nuts

- 3) **C** Lock Body Rear Holes: (2) 2-1/2" long carriage bolts, stamped washers, Flat Washers, k-lock nuts & acorn nuts.



**C**  
Flat Washers, "K" Lock nut and acorn caps

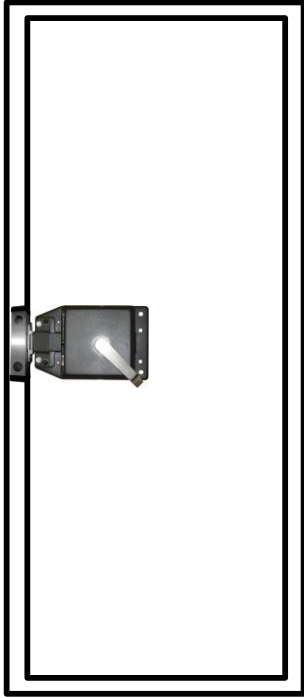
Do not compress the door.



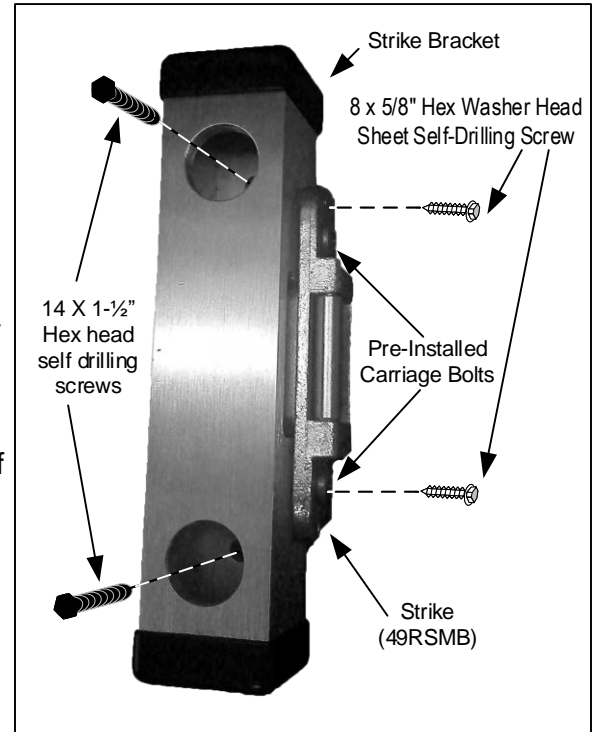
- 4) Rotate lever to make sure bolts extend and retract smoothly. Make sure the main bolt is extended before next step.

## INSTALL STRIKE KIT:

### Outswing:

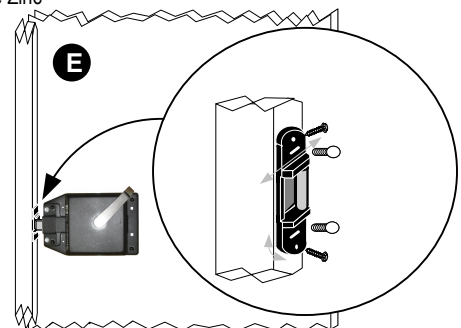
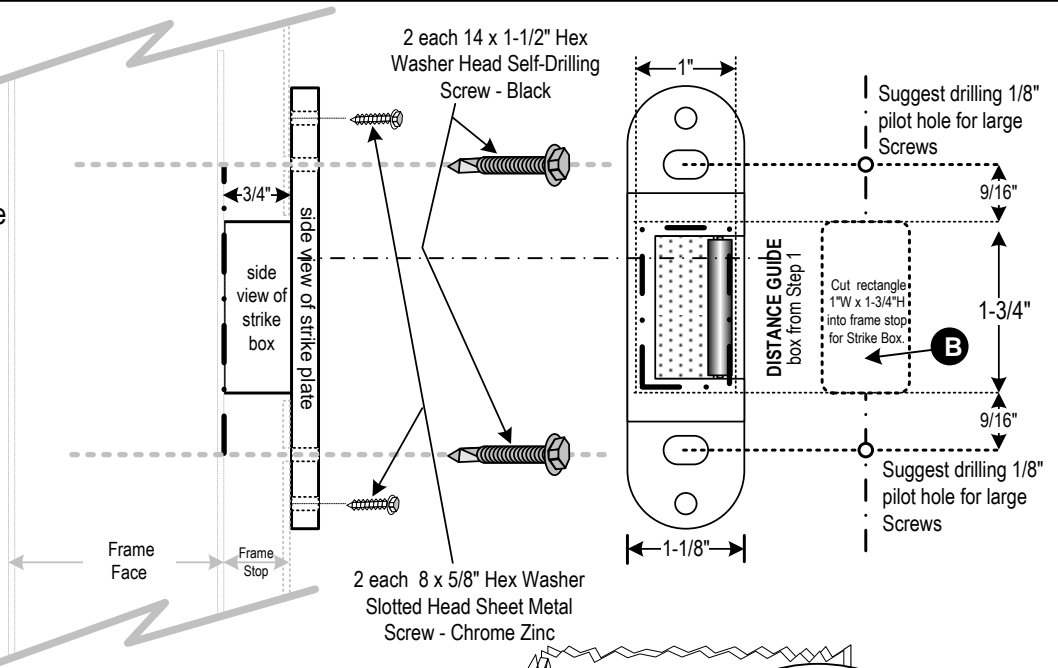


- 1) **A** Extend the bolts.
- 2) **B** Position the bracket on the face of the frame and align it with the primary bolt.
- 4) **C** Mark the two mounting holes for the bracket and drill 1/8" pilot hole.
- 5) **D** Fasten the bracket to the frame with the two hex-headed self drilling screws (black).
- 6) **E** Test lock function. If necessary loosen the pre-installed carriage bolts to fine tune the position of the strike. Loctite may be applied to each carriage bolt for extra security. Tighten the carriage bolts, then fix the strike to the bracket with two 8 x 5/8" self-drilling screws.



### Inswing:

- 1) **A** Extend the bolts and draw center line for the bolt.
- 2) **B** Using a chisel, chop out the rectangle 1" x 1-3/4". Be sure the box can be placed at least 3/4" deep into stop.
- 3) **C** File the edges smooth.
- 4) **D** **Install the Main Deadbolt Strike**  
Place the box strike into the hole. Mark and drill 1/8" pilot holes at the oval inner holes. Fasten the strike loosely with the 2 large self-drilling hex head screws. Adjust sideways as needed so the bolt moves freely before tightening the screws completely.
- 5) **E** After making the final strike position adjustment, insert the 2 small slot-hexhead sheet metal screws into round outer holes to secure.



## BEST ACCESS SYSTEMS

A division of dormakaba  
Indianapolis, IN – 46250  
(855) 365-2407