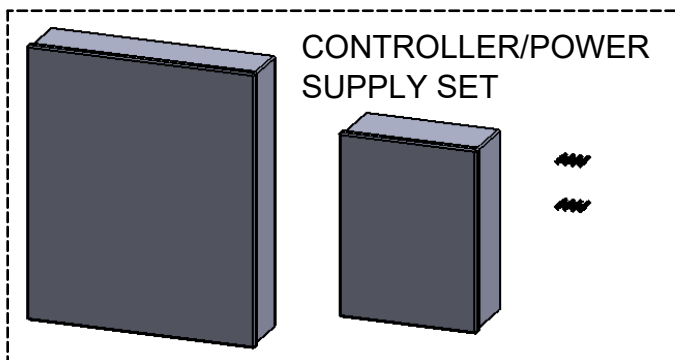
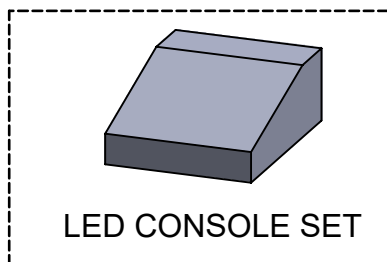
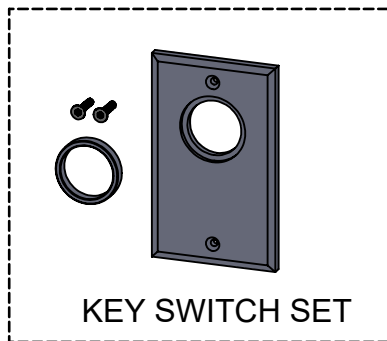
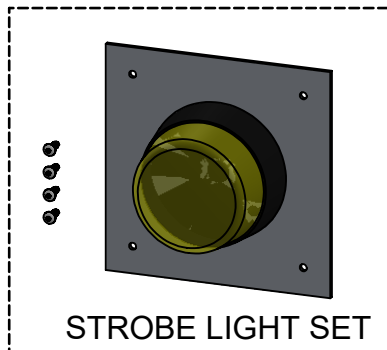
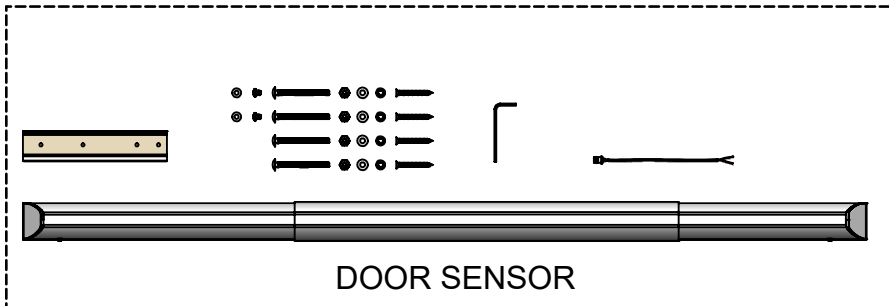


# EMERGENCY DOOR ALARM



## INSTALLATION INSTRUCTIONS:

### 1. CONTINUOUS HINGE

Follow separate installation instructions provided.

### 2. CONTROLLER / POWER SUPPLY

Install the controller / power supply according to wiring diagram provided.

### 3. LED CONSOLE (DESKTOP OR WALL MOUNTED)

Install console and connect it to controller. Power up the controller. All LEDs should turn green. Install each door individually.

### 4. STROBE LIGHT

Mount on ceiling and run wires to controller. Observe polarity: Red "+" and Black "-".

### 5. KEY SWITCH

Add mortise cylinder (straight Yale cam). Mount on single gang box at door and run wires to controller. Key switch is normally-closed. System cannot work without it.

### 6. DOOR SENSOR

Follow separate installation instructions provided.

NOTE: Door sensors are provided to match the door width.

### 7. TEST THE SYSTEM

LED's on console should stay green under normal operation. If any LED's turns red by itself, corresponding door sensor should be adjusted for less sensitivity.

# EMERGENCY DOOR ALARM

## EMERGENCY DOOR ALARM OPERATION:

1. LED'S ON THE MAIN CONSOLE INDICATE THE STATE OF EACH DOOR CONNECTED TO THE SYSTEM. THESE ARE NORMALLY GREEN, INDICATING THAT THE DOOR SENSORS ARE ACTIVELY MONITORING LIGATURE ATTEMPTS AT THE DOORS.
2. IF A LED LIGHTS UP RED ON THE CONSOLE, AN ALARM WILL SOUND. THE STROBE LIGHT LOCATED AT THE PATIENT'S ROOM WILL ALSO FLASH.  
**IMMEDIATELY GO TO THE INDICATED PATIENT ROOM DOOR AND CHECK ON THE PATIENT.**
3. RESET THE SYSTEM WITH YOUR KEY IN THE KEY SWITCH BY THE PATIENT ROOM DOOR. THE CONSOLE ALARM WILL STOP SOUNDING, AND THE STROBE LIGHT WILL STOP FLASHING.  
**SYSTEM CANNOT BE RESET AT THE NURSE'S STATION. IT CAN ONLY BE RESET BY KEY AT THE PATIENT ROOM DOOR.**
4. IF AN ALARM SOUND NEEDS TO BE SILENCED FOR ANY REASON, HOLD YOUR FINGER ON BUTTON MARKED "SILENCE." HOWEVER, THE SYSTEM IS NOT RESET, SO ALARM WILL CONTINUE TO SOUND AFTER "SILENCE" BUTTON IS RELEASED.  
**THE SYSTEM CAN ONLY BE RESET BY KEY AT THE PATIENT ROOM DOOR.**
5. ONCE RESET BY KEY AT THE PATIENT ROOM DOOR, THE ASSOCIATED LED WILL SWITCH FROM RED TO GREEN. THE SYSTEM WILL RETURN TO ITS NORMAL MONITORING MODE.
6. THE SYSTEM WILL DETECT SIMULTANEOUS LIGATURE ATTEMPTS, EVEN IF ONE ALARM IS ALREADY IN PROGRESS. SHOULD THIS EVER OCCUR, YOU WOULD SEE AN ADDITIONAL LED(S) ALSO TURN RED ON THE CONSOLE, AND THEIR RESPECTIVE PATIENT ROOM DOOR ALARM SOUNDERS AND STROBE LIGHTS WOULD ALSO ACTIVATE. THIS ENSURES CONTINUOUS MONITORING FOR ALL DOORS CONNECTED TO THE SYSTEM AND REQUIRES A NURSE'S DIRECTED ATTENTION AT THE DOOR TO RESET THE SYSTEM.

**WE HIGHLY RECOMMEND TESTING EACH DOOR ALARM AT REGULARLY SCHEDULED INTERVALS.**

THERE IS NO SYSTEM PROGRAMING REQUIRED.  
THERE ARE NO UPDATES NECESSARY OR ANY FEES.

CONTACT YOUR FACILITY MAINTENANCE OR THE SYSTEM PROVIDER FOR SERVICE.

**BEST ACCESS SOLUTIONS**  
**(855) 365-2407**