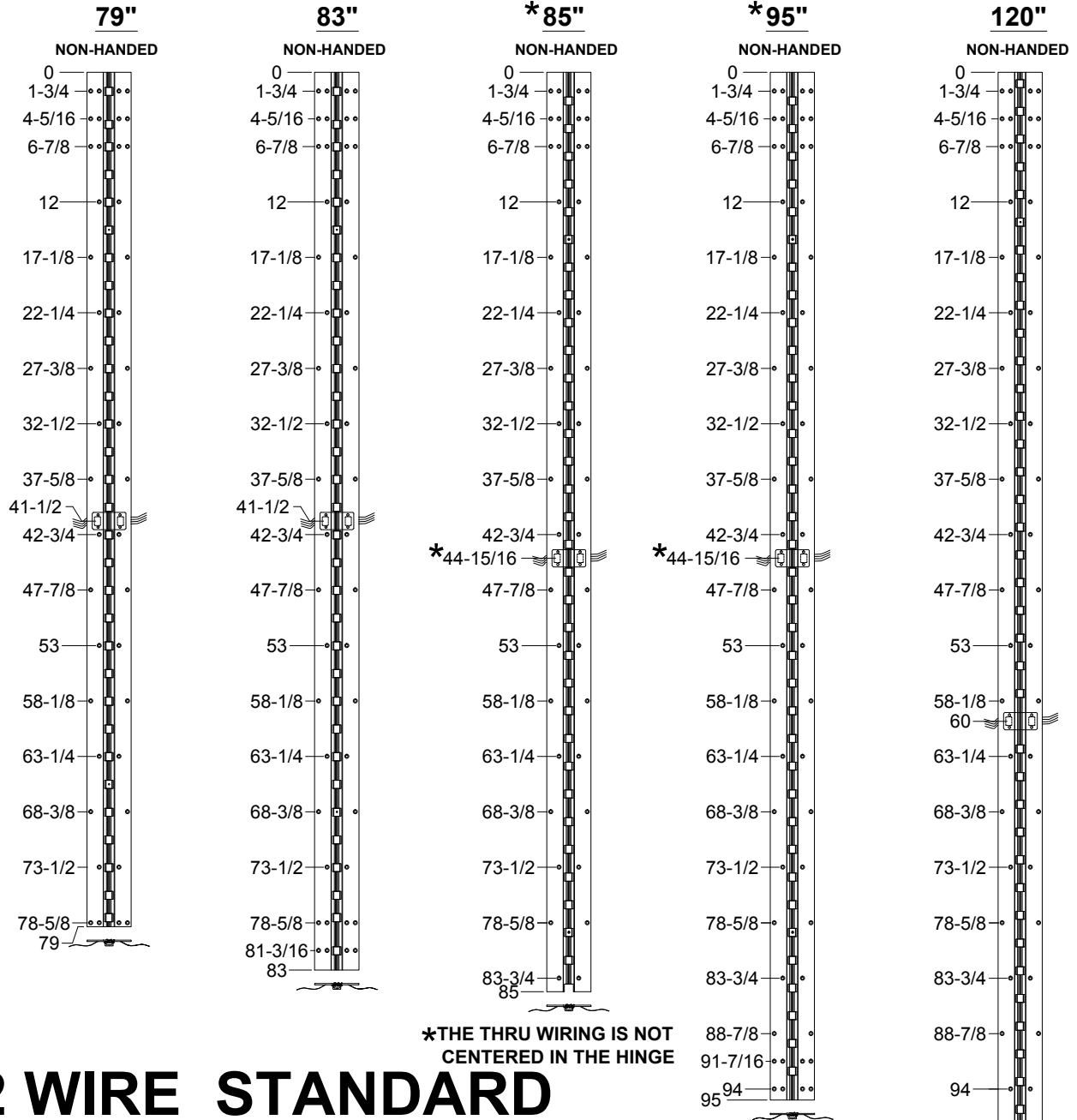


# 670HD - (CE-12) 12 WIRE EASY ACCESS



\*THE THRU WIRING IS NOT CENTERED IN THE HINGE

\*THE THRU WIRING IS NOT CENTERED IN THE HINGE

## 12 WIRE STANDARD

### NOTES:

- HINGES CUT TO CUSTOM LENGTH ARE CUT FROM BOTTOM OF HINGE. CUSTOM CUT HINGE REQUIRES HANDING.



### STANDARD HINGE SIZES & SCREW DETAIL

		6'8"	7'0"	7'2"	8'0"	10'0"
NOMINAL DOOR HEIGHT		6'8"	7'0"	7'2"	8'0"	10'0"
ACTUAL HINGE LENGTH		79"	83"	85"	95"	120"
FRAME	12-24 x 3/4" PHILLIPS FLAT HEAD, UNDERCUT, SELF DRILLING, THREAD FORMING TEK MACHINE SCREW	21	23	21	26	30
DOOR	12-24 x 3/4" PHILLIPS FLAT HEAD, UNDERCUT, SELF DRILLING, THREAD FORMING TEK MACHINE SCREW	21	23	21	26	30

**STANLEY**

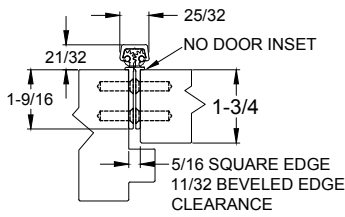
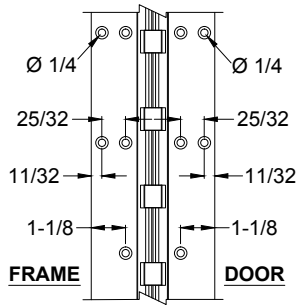
dormakaba USA Inc.  
6161 East 75th Street  
Indianapolis, IN 46250 USA  
Customer Service: 1-855-365-2407

[stanleyhardwarefordoors.com](http://stanleyhardwarefordoors.com)

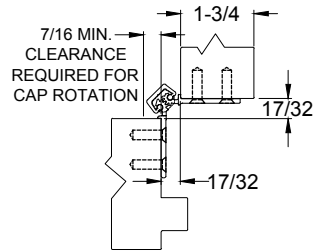
T91647\_A  
670HD - (CE-12) 12 WIRE EASY ACCESS

©2020 All rights reserved.

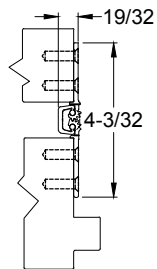
# 670HD - (CE-12) 12 WIRE EASY ACCESS



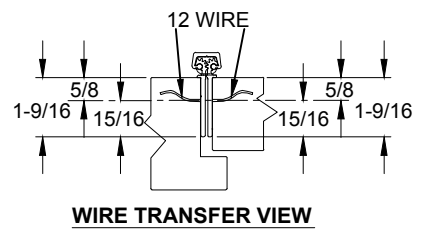
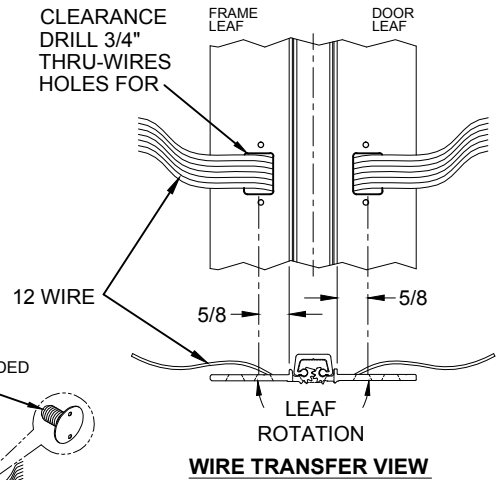
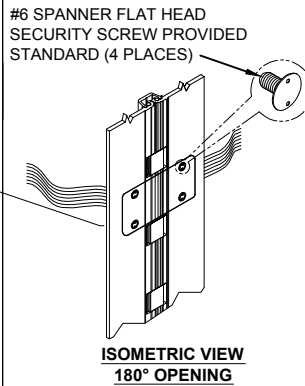
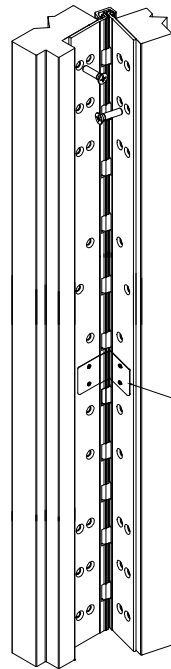
**CLOSED POSITION**



**90° OPENING**



**180° OPENING**



**ISOMETRIC VIEW  
~90° OPENING**

## **SPECIFICATION:**

**DESCRIPTION:** SINGLE CONDUCTOR #22 AWG WIRE FOR APPLICATIONS REQUIRING EXTREME FLEXIBILITY.

**CONDUCTOR:** #22 AWG 168/44 (0.002") SOFT BARE COPPER LHL.

**INSULATION:** PROPRIETARY FORMULATION PVC 0.010" NOM. WALL MEETS VW-1 FLAME REQUIREMENT.

**DIAMETER:** 0.053" ± 0.003".

**RESISTANCE:** 16.7 OHMS MAX. @ 20°C, PER 1000 FT.

**VOLTAGE RATING:** 600 VOLTS RMS, DEPENDING ON SPECIFICATION.

**AVAILABLE AS RoHS COMPLIANT.**

**STANLEY**

dormakaba USA Inc.  
6161 East 75th Street  
Indianapolis, IN 46250 USA  
Customer Service: 1-855-365-2407

[stanleyhardwarefordoors.com](http://stanleyhardwarefordoors.com)

T91647\_A  
670HD - (CE-12) 12 WIRE EASY ACCESS

©2020 All rights reserved.