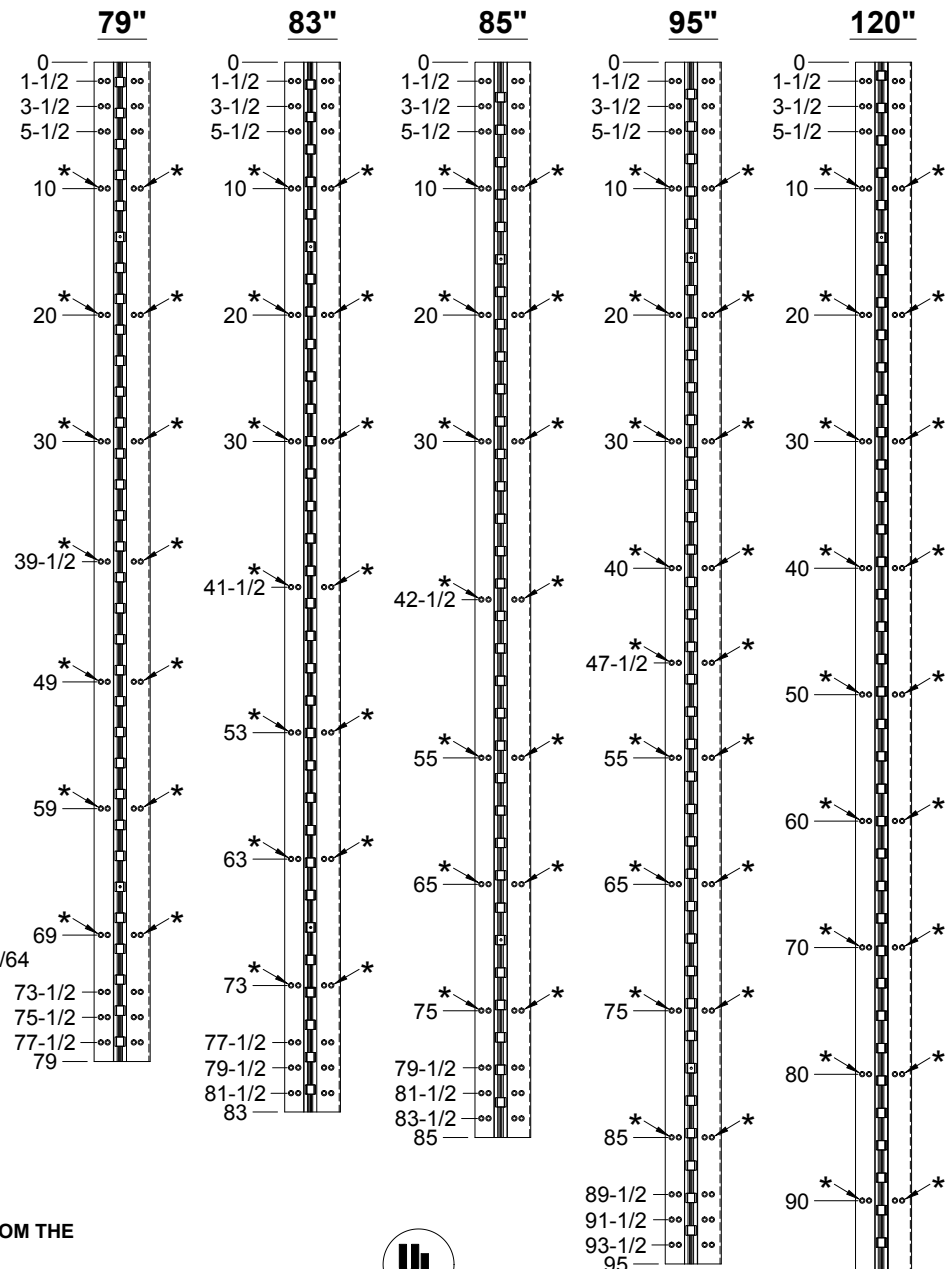
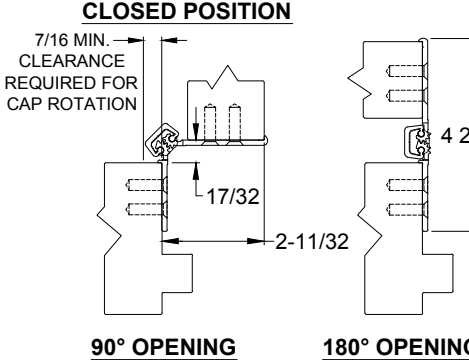
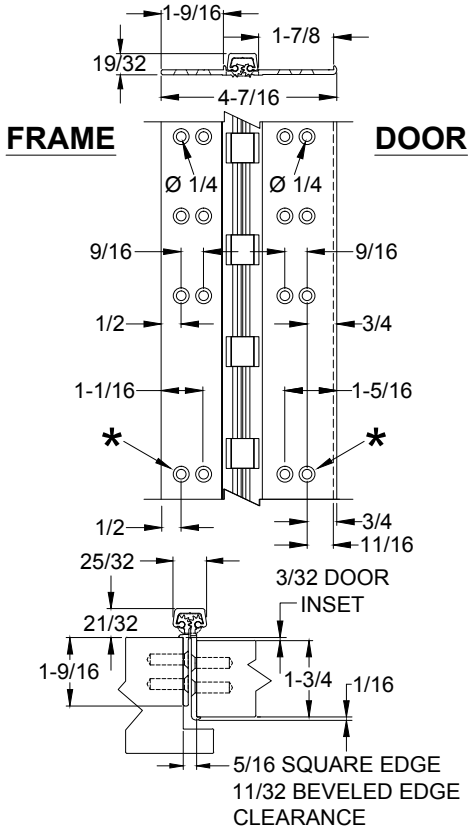


# 669HDLL - ALUMINUM GEARED HINGE, 3/32" INSET, FULL CONCEALED



- NOTES:**
1. HINGES CUT TO CUSTOM LENGTH ARE CUT FROM THE BOTTOM. PLEASE SPECIFY HANDING.
  2. ALL DIMENSIONS ARE IN INCHES.
  3. ALL DIMENSIONS ARE TO CENTERLINE OF HOLES.
  4. \* = DENOTES EXTRA MOUNTING HOLE FOR THE LEAD-LINE MODEL.



STANDARD HINGE SIZES & SCREW DETAIL											
NOMINAL DOOR HEIGHT		6'8"		7'0"		7'2"		8'0"		10'0"	
ACTUAL HINGE LENGTH		79"		83"		85"		95"		120"	
		HD	LL	HD	LL	HD	LL	HD	LL	HD	LL
FRAME	12-24 x 3/4" PHILLIPS FLAT HEAD, UNDERCUT, SELF DRILLING, THREAD FORMING TEK MACHINE SCREW	19	26	19	26	19	26	21	30	23	34
DOOR	12-24 X 3/4" PH. F.H. UNDERCUT SELF DRILLING THREAD FORMING TEK SCREW	19	26	19	26	19	26	21	30	23	34

**STANLEY**

dormakaba USA Inc.  
 6161 East 75th Street  
 Indianapolis, IN 46250 USA  
 Customer Service: 1-855-365-2407

[stanleyhardwarefordoors.com](http://stanleyhardwarefordoors.com)

T91667\_A  
 669HDLL-ALUMINUM GEARED HINGE

©2020 All rights reserved.