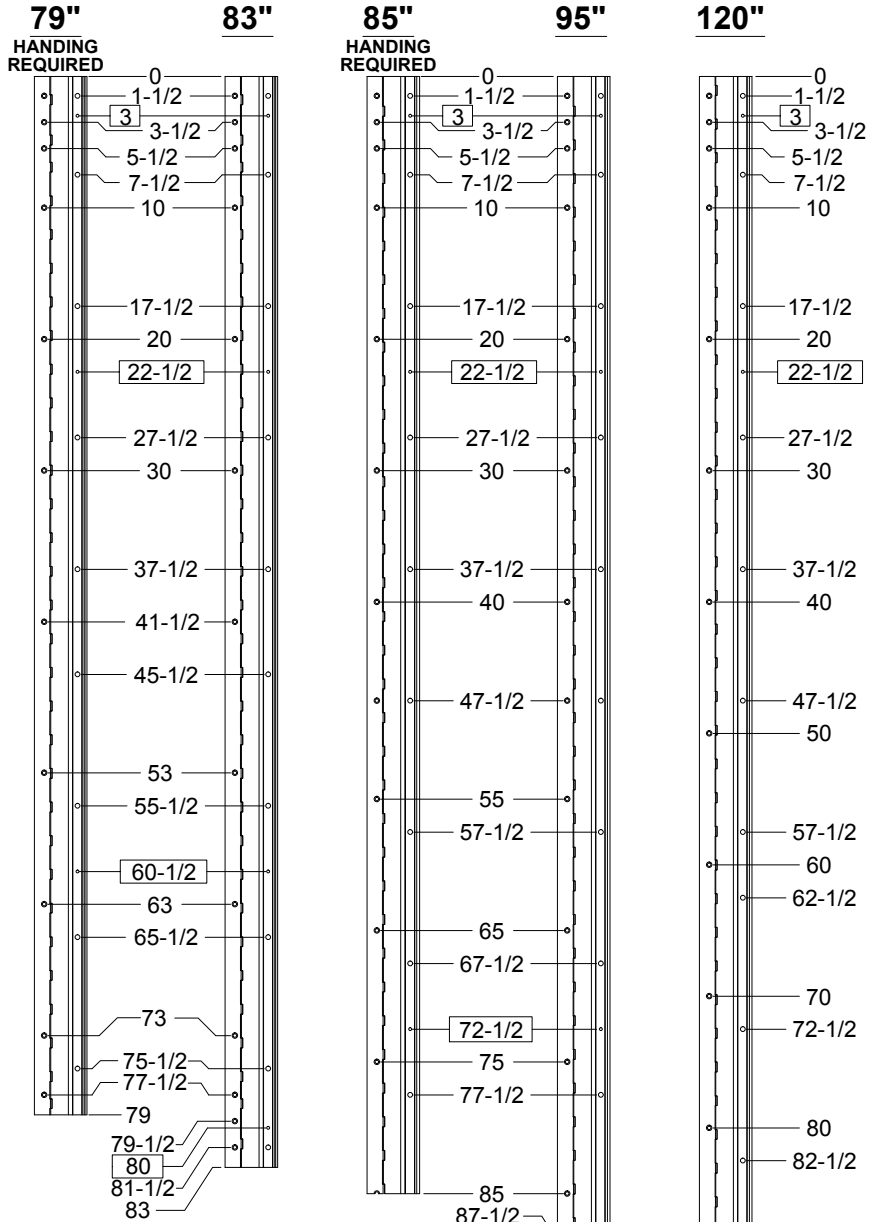
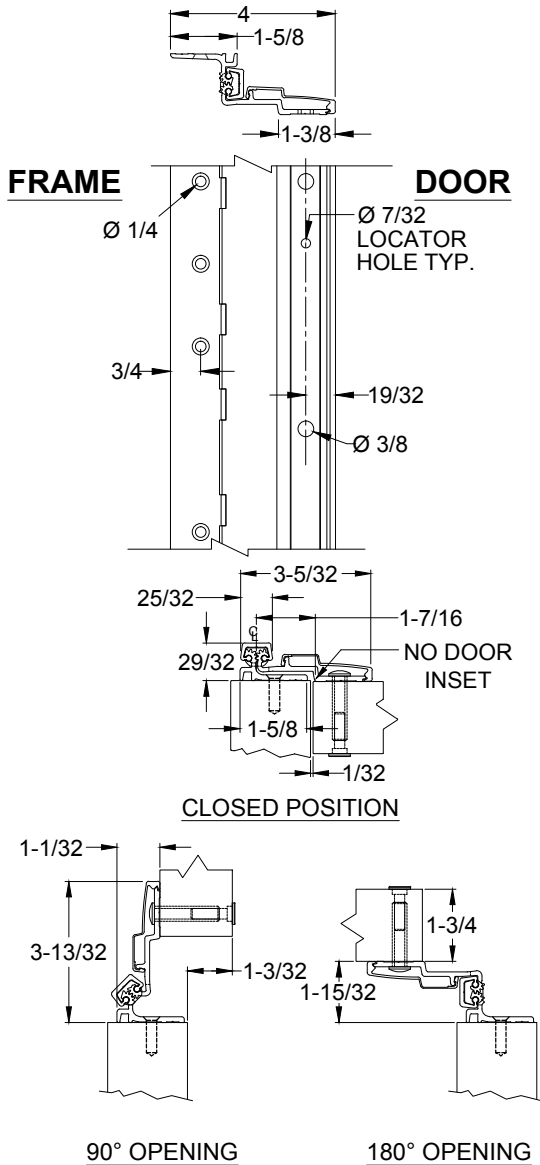


665HD - ALUMINUM GEARED HINGE, SWING CLEAR, NO INSET, FULL SURFACE



NOTES:

1. HINGES CUT TO CUSTOM LENGTH ARE CUT FROM THE BOTTOM. PLEASE SPECIFY HANDING.
2. ALL DIMENSIONS ARE IN INCHES.
3. ALL DIMENSIONS ARE TO CENTERLINE OF HOLES.
4. "XX" DENOTES LOCATOR HOLE.



STANDARD HINGE SIZES & SCREW DETAIL

NOMINAL DOOR HEIGHT	6'8"	7'0"	7'2"	8'0"	10'0"
ACTUAL HINGE LENGTH	79"	83"	85"	95"	120"
FRAME	12-24 x 3/4" PHILLIPS FLAT HEAD, UNDERCUT, SELF DRILLING, THREAD FORMING TEK MACHINE SCREW				
DOOR	1/4-20 x 1-11/16" x 3/8 DIA. SEX BOLT & 1/4-20 x 1-1/8" PH. HEAD SHOULDER SCREW				
	12-24 x 3/4" PH. PN. HD. SELF DRILLING TEK SCREW (LOCATOR HOLE)				

STANLEY

dormakaba USA Inc.
6161 East 75th Street
Indianapolis, IN 46250 USA
Customer Service: 1-855-365-2407

stanleyhardwarefordoors.com

T91663_A
665HD-ALUMINUM GEARED HINGE

©2020 All rights reserved.