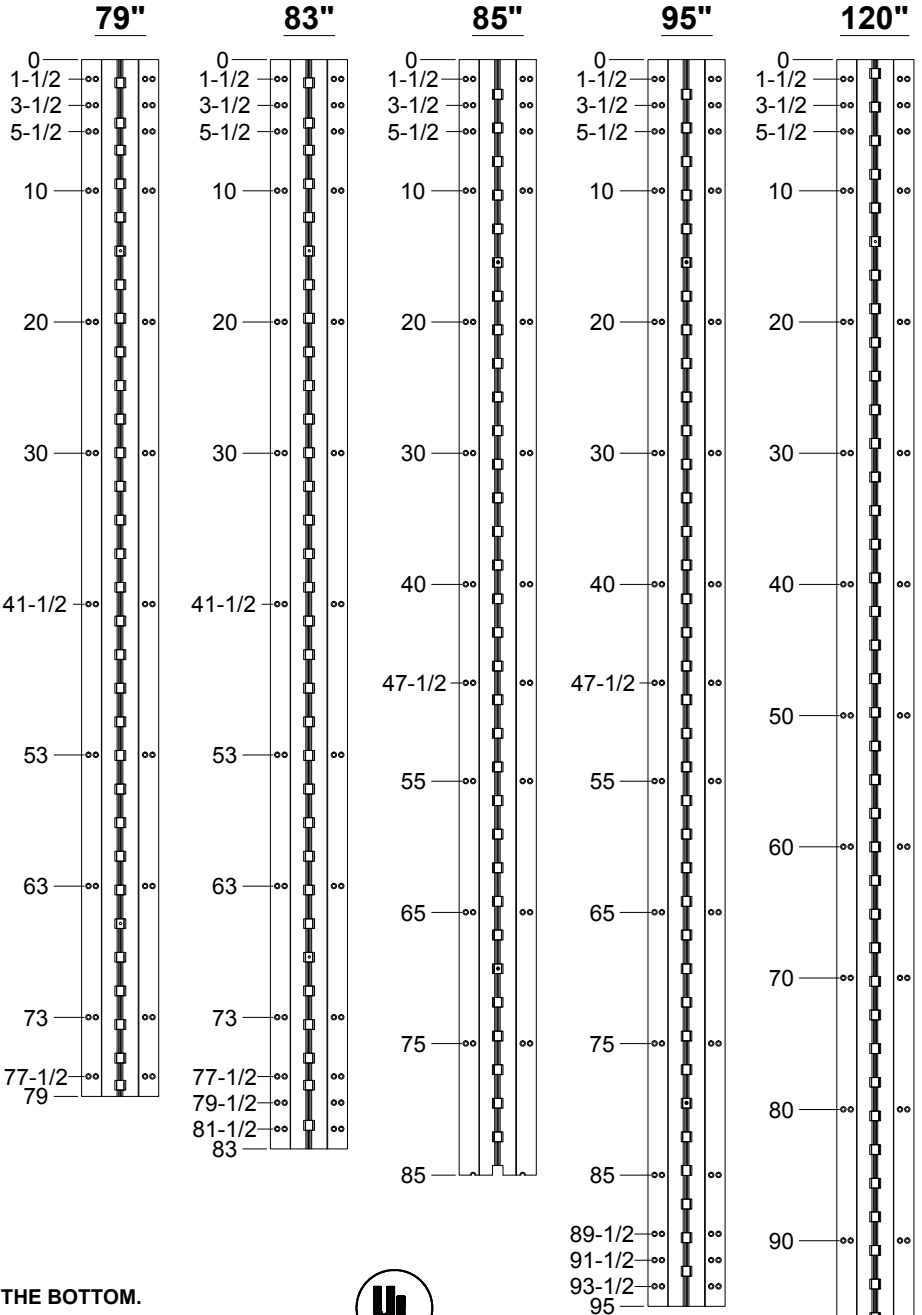
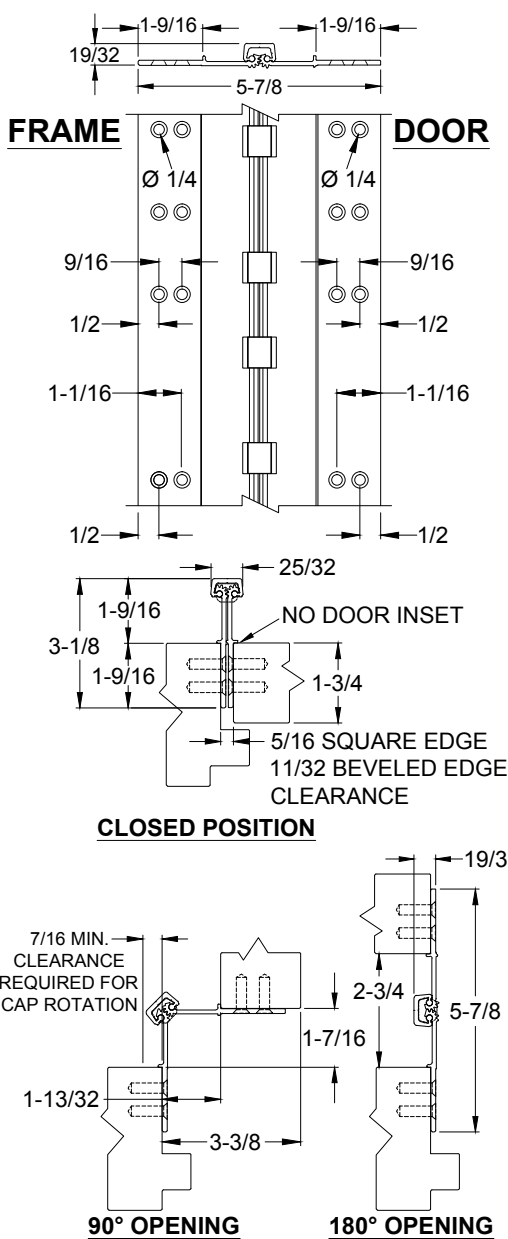


661HDWTLL - ALUMINUM GEARED HINGE, WIDE THROW, FLUSH MOUNT, FULL CONCEALED
 HINGES ARE SUPPLIED WITH LEAD-LINED MOUNTING HOLES FOR ADDITIONAL SUPPORT AS STANDARD

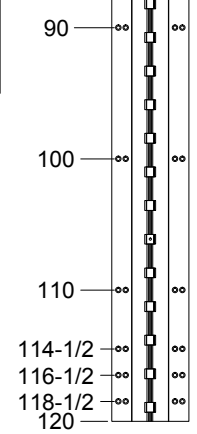


- NOTES:**
- HINGES CUT TO CUSTOM LENGTH ARE CUT FROM THE BOTTOM.
 - ALL DIMENSIONS ARE IN INCHES.
 - ALL DIMENSIONS ARE TO CENTERLINE OF HOLES.



STANDARD HINGE SIZES & SCREW DETAIL

		6'8"	7'0"	7'2"	8'0"	10'0"
NOMINAL DOOR HEIGHT		6'8"	7'0"	7'2"	8'0"	10'0"
ACTUAL HINGE LENGTH		79"	83"	85"	95"	120"
MODEL: HDLL = HEAVY DUTY (HD) LEAD-LINED (LL)		HDLL	HDLL	HDLL	HDLL	HDLL
FRAME	12-24 x 3/4" PHILLIPS FLAT HEAD, UNDERCUT, SELF DRILLING, THREAD FORMING TEK MACHINE SCREW	22	26	22	30	34
DOOR	12-24 x 3/4" PHILLIPS FLAT HEAD, UNDERCUT, SELF DRILLING, THREAD FORMING TEK MACHINE SCREW	22	26	22	30	34



STANLEY

dormakaba USA Inc.
 6161 East 75th Street
 Indianapolis, IN 46250 USA
 Customer Service: 1-855-365-2407

stanleyhardwarefordoors.com

T91659_A
 661HDWTLL-ALUMINUM GEARED HINGE

©2020 All rights reserved.