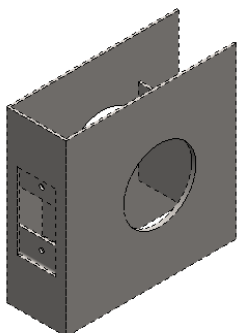
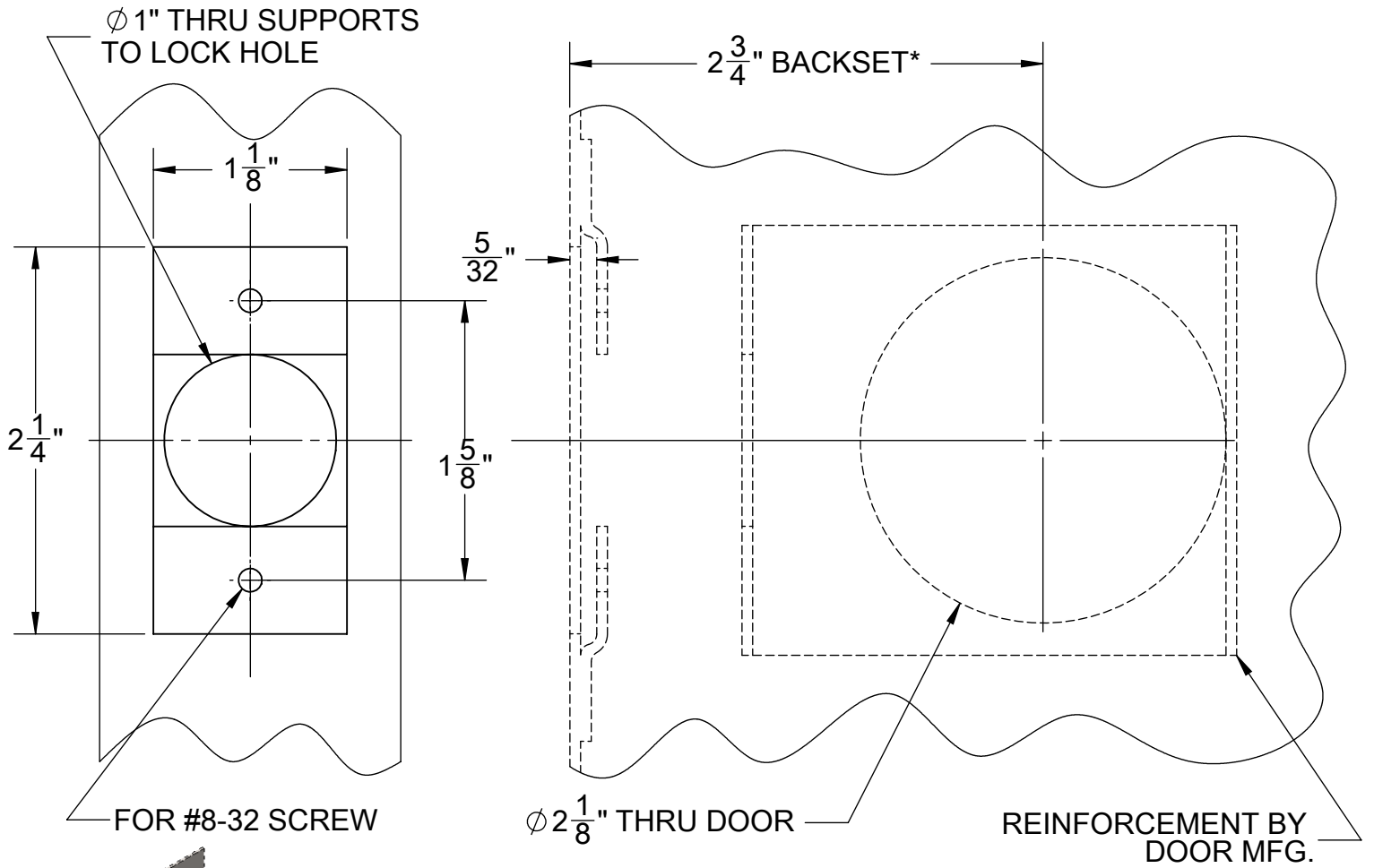


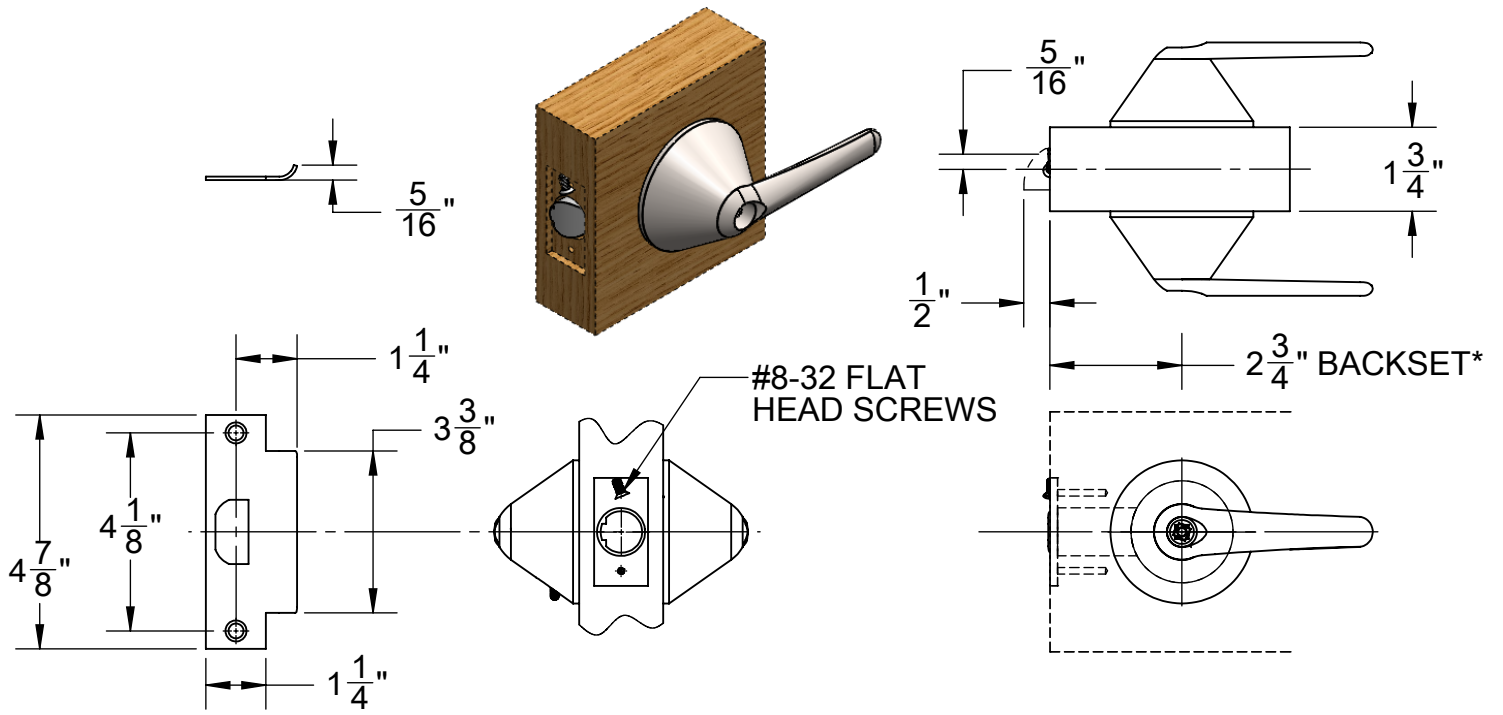
\*BACKSET MEASURED FROM CENTER OF DOOR BEVEL.



**DO NOT SCALE**  
 ANY REPRODUCTION OF THIS TEMPLATE, VIA FAX, PHOTOCOPY OR DIGITAL TRANSMISSION, REDNDERS IT NOT TO SCALE.

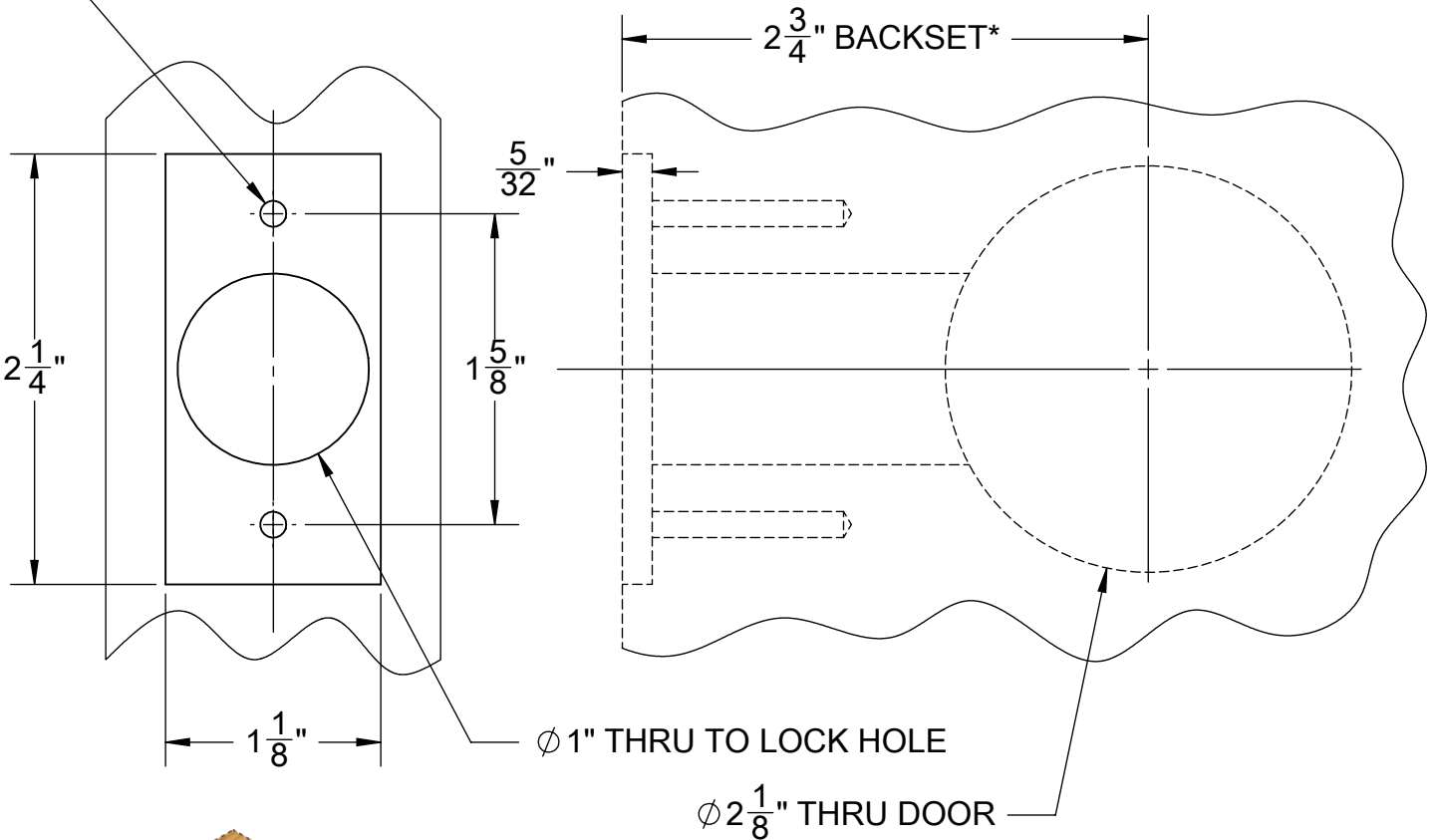
1"

SPSL SERIES CYLINDRICAL LOCK HOLLOW METAL DOOR PREP	<b>Best Access Solutions, Inc.</b> A division of dormakaba	
	6161 E. 75th Street, Indianapolis, IN 46250 (855) 365-2407 www.bestaccess.com	
SPSL CYLINDRICAL LOCK	REV DATE 01-03-18	TEMPLATE NUMBER <b>TMP000100-01</b>
		REV <b>C</b>



\*BACKSET MEASURED FROM CENTER OF DOOR BEVEL.

PILOT HOLES FOR #8-32 SCREW



**DO NOT SCALE**  
 ANY REPRODUCTION OF THIS TEMPLATE, VIA FAX, PHOTOCOPY OR DIGITAL TRANSMISSION, REDNDERS IT NOT TO SCALE.

1"

<b>SPSL SERIES CYLINDRICAL LOCK</b> <b>WOOD DOOR PREP</b>	<b>Best Access Solutions, Inc.</b> A division of dormakaba 6161 E. 75th Street, Indianapolis, IN 46250 (855) 365-2407 <a href="http://www.bestaccess.com">www.bestaccess.com</a>		
	REV DATE 01-03-18	TEMPLATE NUMBER <b>TMP000100-02</b>	REV <b>C</b>
SPSL CYLINDRICAL LOCK	01-03-18	<b>TMP000100-02</b>	<b>C</b>