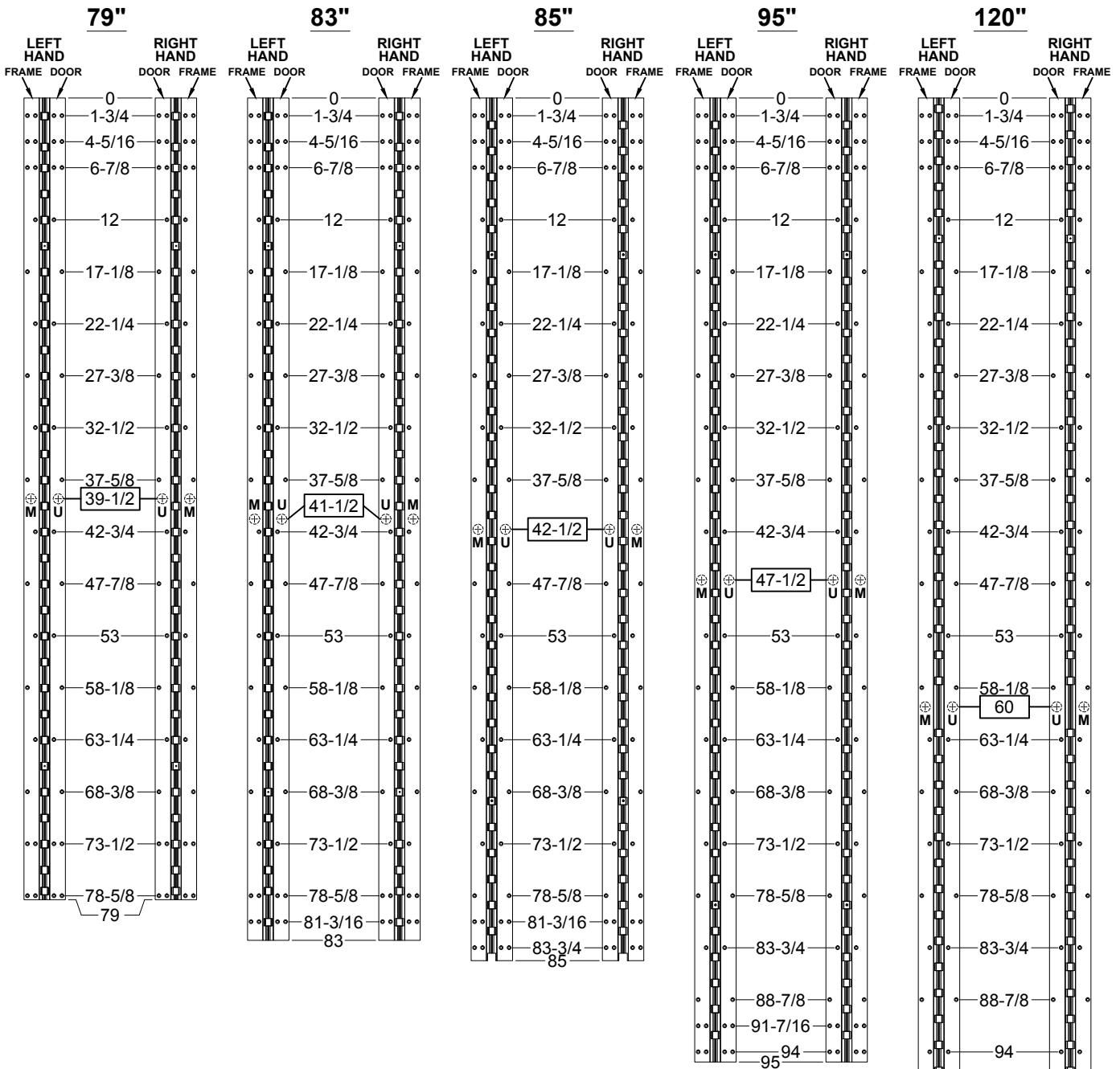


670HD - (CS) CONCEALED SWITCH



M = MONITOR SWITCH SIDE
U = MAGNET SIDE



STANDARD HINGE SIZES & SCREW DETAIL

NOMINAL DOOR HEIGHT	6'8"	7'0"	7'2"	8'0"	10'0"
ACTUAL HINGE LENGTH	79"	83"	85"	95"	120"
FRAME	12-24 x 3/4" PHILLIPS FLAT HEAD, UNDERCUT, SELF DRILLING, THREAD FORMING TEK MACHINE SCREW				
DOOR	12-24 X 3/4" PH. F.H. UNDERCUT SELF DRILLING THREAD FORMING TEK SCREW				
	22	23	23	25	30

STANLEY

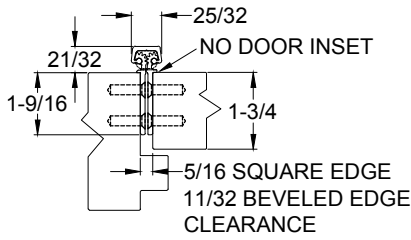
dormakaba USA Inc.
 6161 East 75th Street
 Indianapolis, IN 46250 USA
 Customer Service: 1-855-365-2407

stanleyhardwarefordoors.com

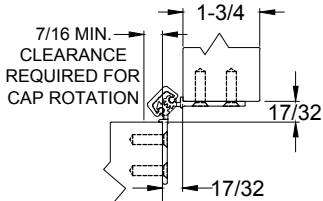
T91648_A
 670HD - (CS) CONCEALED SWITCH

©2020 All rights reserved.

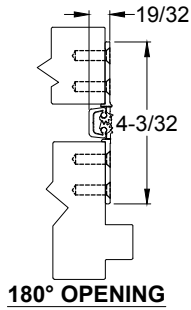
670HD - (CS) CONCEALED SWITCH



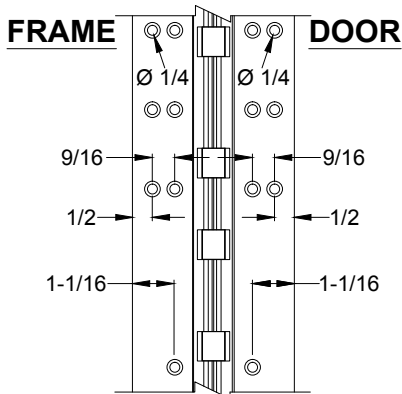
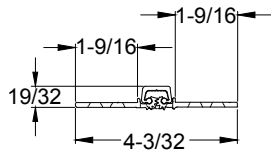
CLOSED POSITION



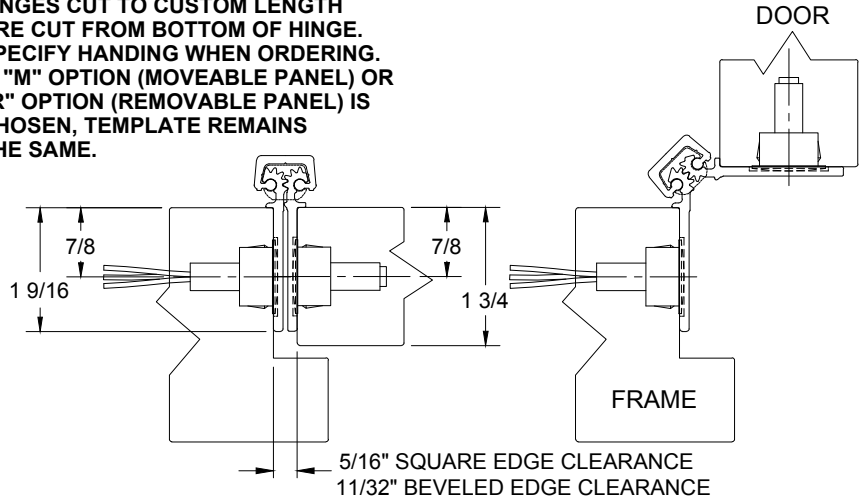
90° OPENING



180° OPENING



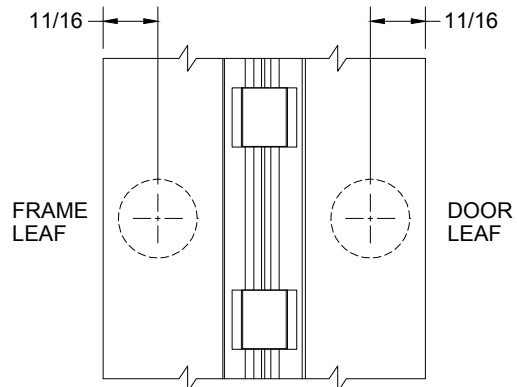
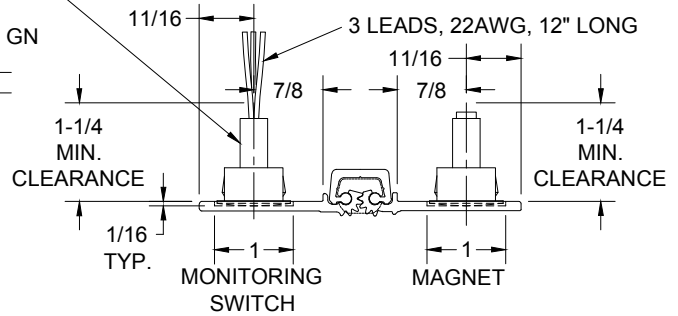
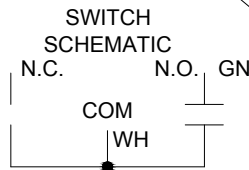
- NOTES:**
1. HINGES CUT TO CUSTOM LENGTH ARE CUT FROM BOTTOM OF HINGE.
 2. SPECIFY HANDING WHEN ORDERING.
 3. IF "M" OPTION (MOVEABLE PANEL) OR "R" OPTION (REMOVABLE PANEL) IS CHOSEN, TEMPLATE REMAINS THE SAME.



MAGNETIC MONITOR SWITCH VIEW, LEFT HAND SHOWN

NOTE: 7/8" DIA. MIN. CLEARANCE HOLE REQUIRED IN DOOR & FRAME FOR MONITORING SWITCH AND MAGNET

ELECTRICAL CONFIG.: SPDT
 MAX. INITIAL CONTACT RESISTANCE : 0.140 OHM
 MAX. CONTACT RATING: 5 WATT
 MAX. SWITCHING VOLTAGE: 175 VDC
 MAX. SWITCHING CURRENT: 0.25 AMP



MAGNETIC MONITOR SWITCH VIEW

STANLEY

dormakaba USA Inc.
 6161 East 75th Street
 Indianapolis, IN 46250 USA
 Customer Service: 1-855-365-2407

stanleyhardwarefordoors.com

T91648_A
 670HD - (CS) CONCEALED SWITCH

©2020 All rights reserved.