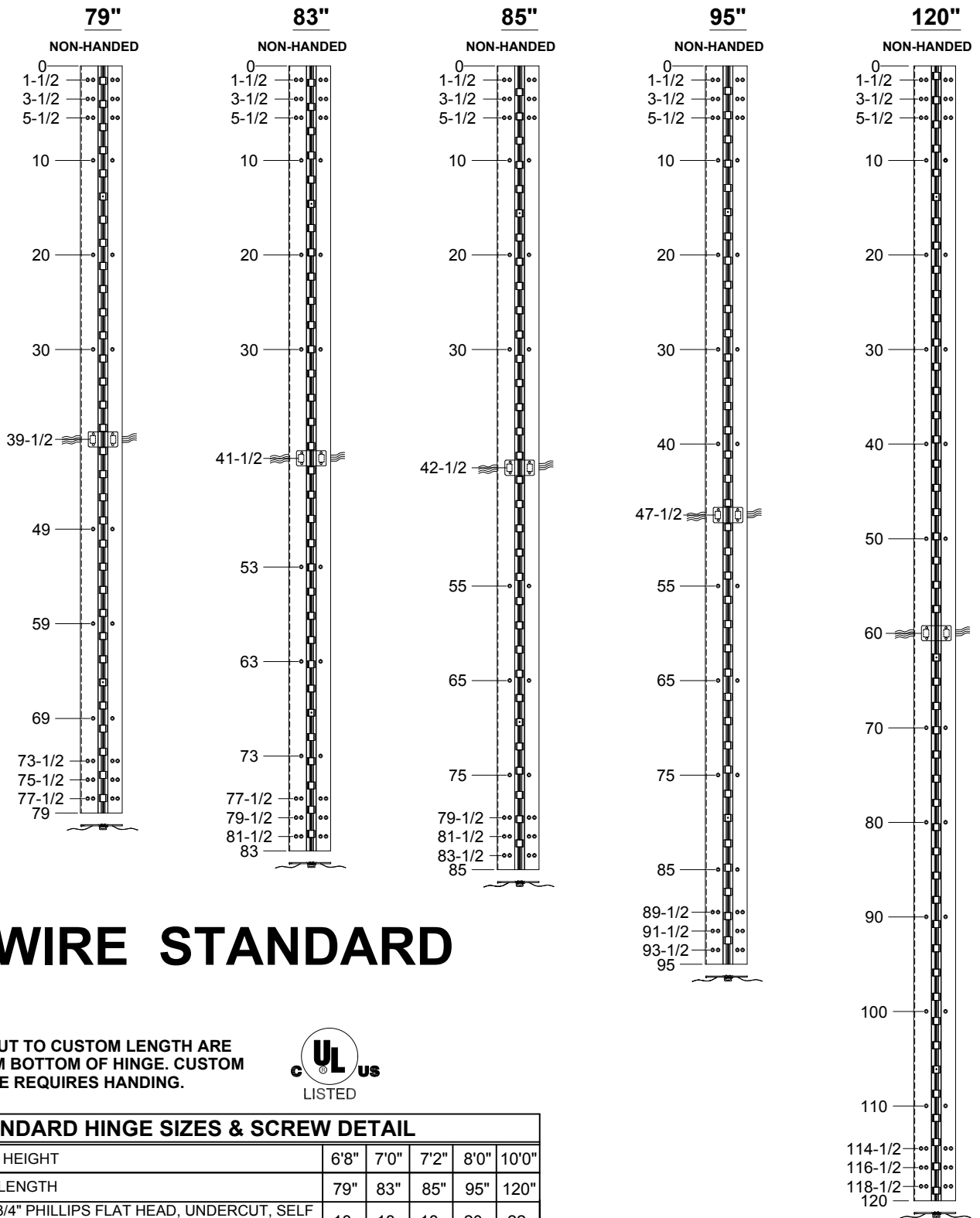


669HD - (CE-12) 12 WIRE EASY ACCESS



12 WIRE STANDARD

NOTES:

- 1. HINGES CUT TO CUSTOM LENGTH ARE CUT FROM BOTTOM OF HINGE. CUSTOM CUT HINGE REQUIRES HANDING.



STANDARD HINGE SIZES & SCREW DETAIL

		6'8"	7'0"	7'2"	8'0"	10'0"
NOMINAL DOOR HEIGHT		6'8"	7'0"	7'2"	8'0"	10'0"
ACTUAL HINGE LENGTH		79"	83"	85"	95"	120"
FRAME	12-24 x 3/4" PHILLIPS FLAT HEAD, UNDERCUT, SELF DRILLING, THREAD FORMING TEK MACHINE SCREW	18	18	18	20	22
DOOR	12-24 x 3/4" PHILLIPS FLAT HEAD, UNDERCUT, SELF DRILLING, THREAD FORMING TEK MACHINE SCREW	18	18	18	20	22

STANLEY

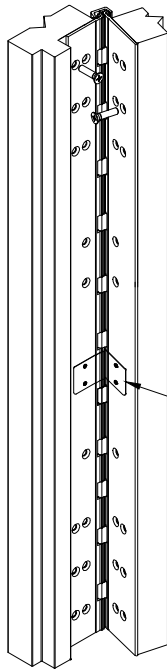
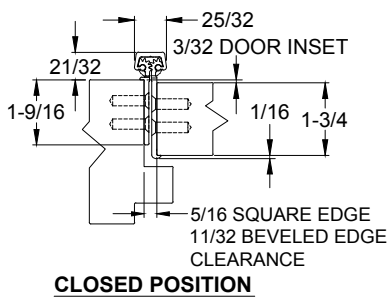
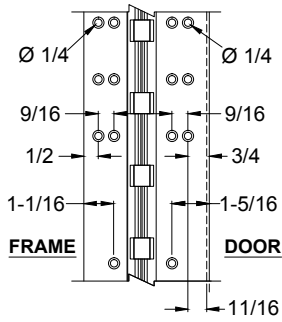
dormakaba USA Inc.
6161 East 75th Street
Indianapolis, IN 46250 USA
Customer Service: 1-855-365-2407

stanleyhardwarefordoors.com

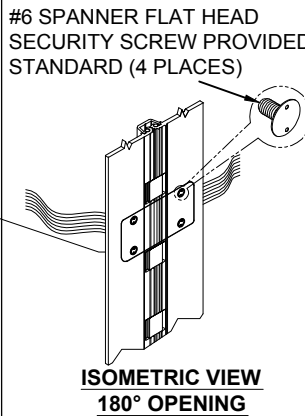
T91644_A
669HD - (CE-12) 12 WIRE EASY ACCESS

©2020 All rights reserved.

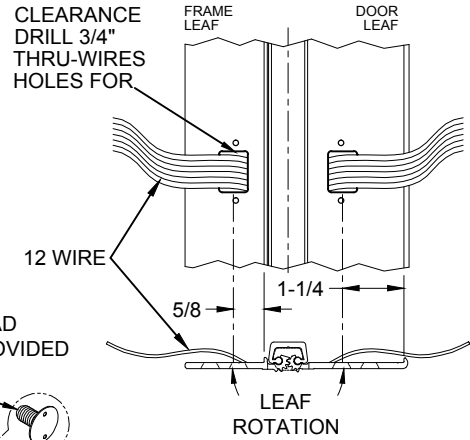
669HD - (CE-12) 12 WIRE EASY ACCESS



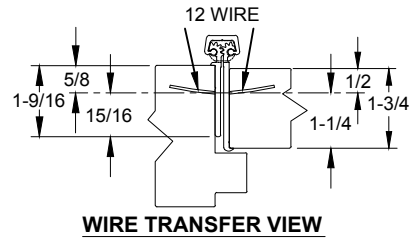
ISOMETRIC VIEW
~90° OPENING



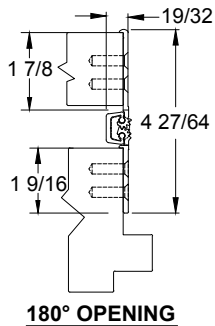
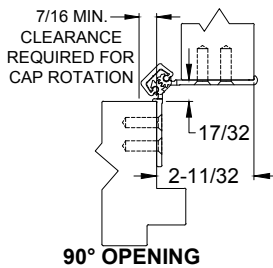
ISOMETRIC VIEW
180° OPENING



WIRE TRANSFER VIEW



WIRE TRANSFER VIEW



SPECIFICATION:

DESCRIPTION: SINGLE CONDUCTOR #22 AWG WIRE FOR APPLICATIONS REQUIRING EXTREME FLEXIBILITY.

CONDUCTOR: #22 AWG 168/44 (0.002") SOFT BARE COPPER LHL.

INSULATION: PROPRIETARY FORMULATION PVC 0.010" NOM. WALL MEETS VW-1 FLAME REQUIREMENT.

DIAMETER: 0.053" ± 0.003".

RESISTANCE: 16.7 OHMS MAX. @ 20°C, PER 1000 FT.

VOLTAGE RATING: 600 VOLTS RMS, DEPENDING ON SPECIFICATION.

AVAILABLE AS RoHS COMPLIANT.

STANLEY

dormakaba USA Inc.
6161 East 75th Street
Indianapolis, IN 46250 USA
Customer Service: 1-855-365-2407

stanleyhardwarefordoors.com

T91644_A
669HD - (CE-12) 12 WIRE EASY ACCESS

©2020 All rights reserved.