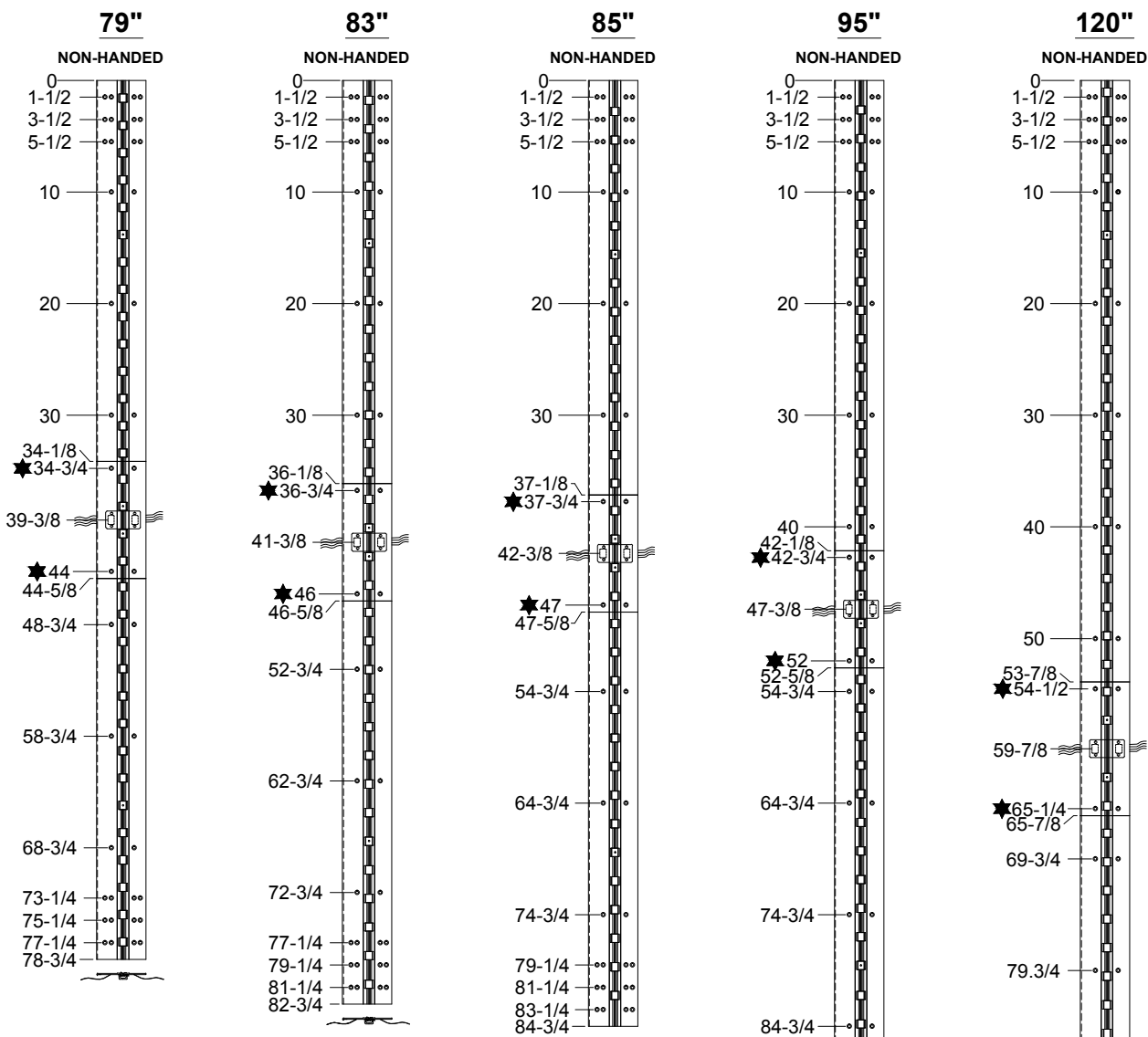


# 669HD - (CE-12R) 12 WIRE EASY ACCESS WITH REMOVABLE OPTION



## 12 WIRE STANDARD

### NOTES:

1. HINGES CUT TO CUSTOM LENGTH ARE CUT FROM BOTTOM OF HINGE. CUSTOM CUT HINGE REQUIRES HANDING.



R = REMOVABLE, (3) INDIVIDUAL HINGES, THRU WIRE CAN BE REMOVED TO ACCESS WIRES.

★ = MANUFACTURING TO ADD (4) COUNTERSINK THRU HOLES FOR #12 FLAT HEAD SCREW.

### STANDARD HINGE SIZES & SCREW DETAIL

NOMINAL DOOR HEIGHT		6'8"	7'0"	7'2"	8'0"	10'0"
ACTUAL HINGE LENGTH		79"	83"	85"	95"	120"
FRAME	12-24 x 3/4" PHILLIPS FLAT HEAD, UNDERCUT, SELF DRILLING, THREAD FORMING TEK MACHINE SCREW	20	20	20	22	24
DOOR	12-24 x 3/4" PHILLIPS FLAT HEAD, UNDERCUT, SELF DRILLING, THREAD FORMING TEK MACHINE SCREW	20	20	20	22	24

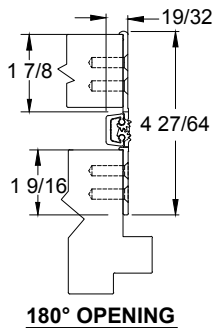
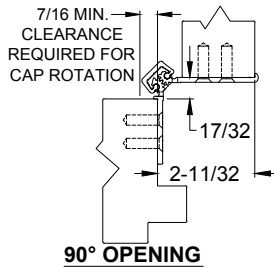
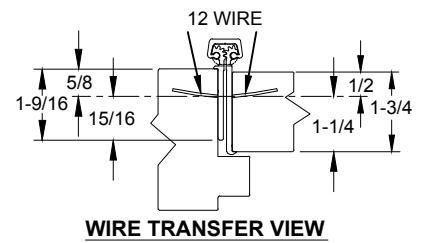
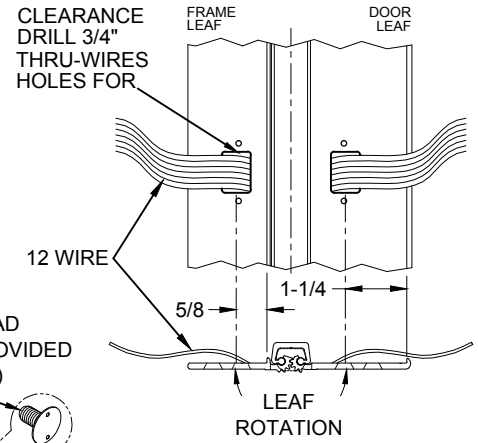
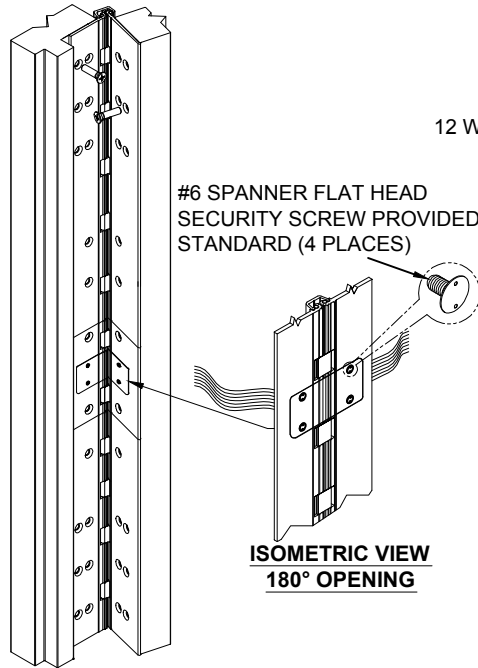
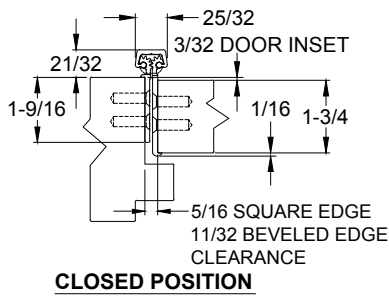
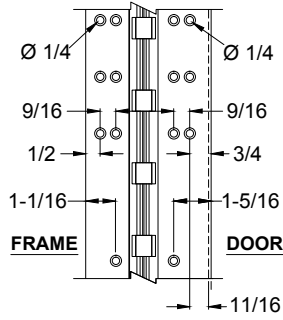
# STANLEY

dormakaba USA Inc.  
6161 East 75th Street  
Indianapolis, IN 46250 USA  
Customer Service: 1-855-365-2407

[stanleyhardwarefordoors.com](http://stanleyhardwarefordoors.com)

T91643\_A  
669HD - (CE-12R) 12 WIRE EASY  
ACCESS WITH REMOVABLE OPTION  
©2020 All rights reserved.

# 669HD - (CE-12R) 12 WIRE EASY ACCESS WITH REMOVABLE OPTION



## SPECIFICATION:

**DESCRIPTION:** SINGLE CONDUCTOR #22 AWG WIRE FOR APPLICATIONS REQUIRING EXTREME FLEXIBILITY.

**CONDUCTOR:** #22 AWG 168/44 (0.002") SOFT BARE COPPER LHL.

**INSULATION:** PROPRIETARY FORMULATION PVC 0.010" NOM. WALL MEETS VW-1 FLAME REQUIREMENT.

**DIAMETER:** 0.053" ± 0.003".

**RESISTANCE:** 16.7 OHMS MAX. @ 20°C, PER 1000 FT.

**VOLTAGE RATING:** 600 VOLTS RMS, DEPENDING ON SPECIFICATION.

**AVAILABLE AS RoHS COMPLIANT.**

# STANLEY

dormakaba USA Inc.  
6161 East 75th Street  
Indianapolis, IN 46250 USA  
Customer Service: 1-855-365-2407

[stanleyhardwarefordoors.com](http://stanleyhardwarefordoors.com)

T91643\_A  
669HD - (CE-12R) 12 WIRE EASY  
ACCESS WITH REMOVABLE OPTION  
©2020 All rights reserved.