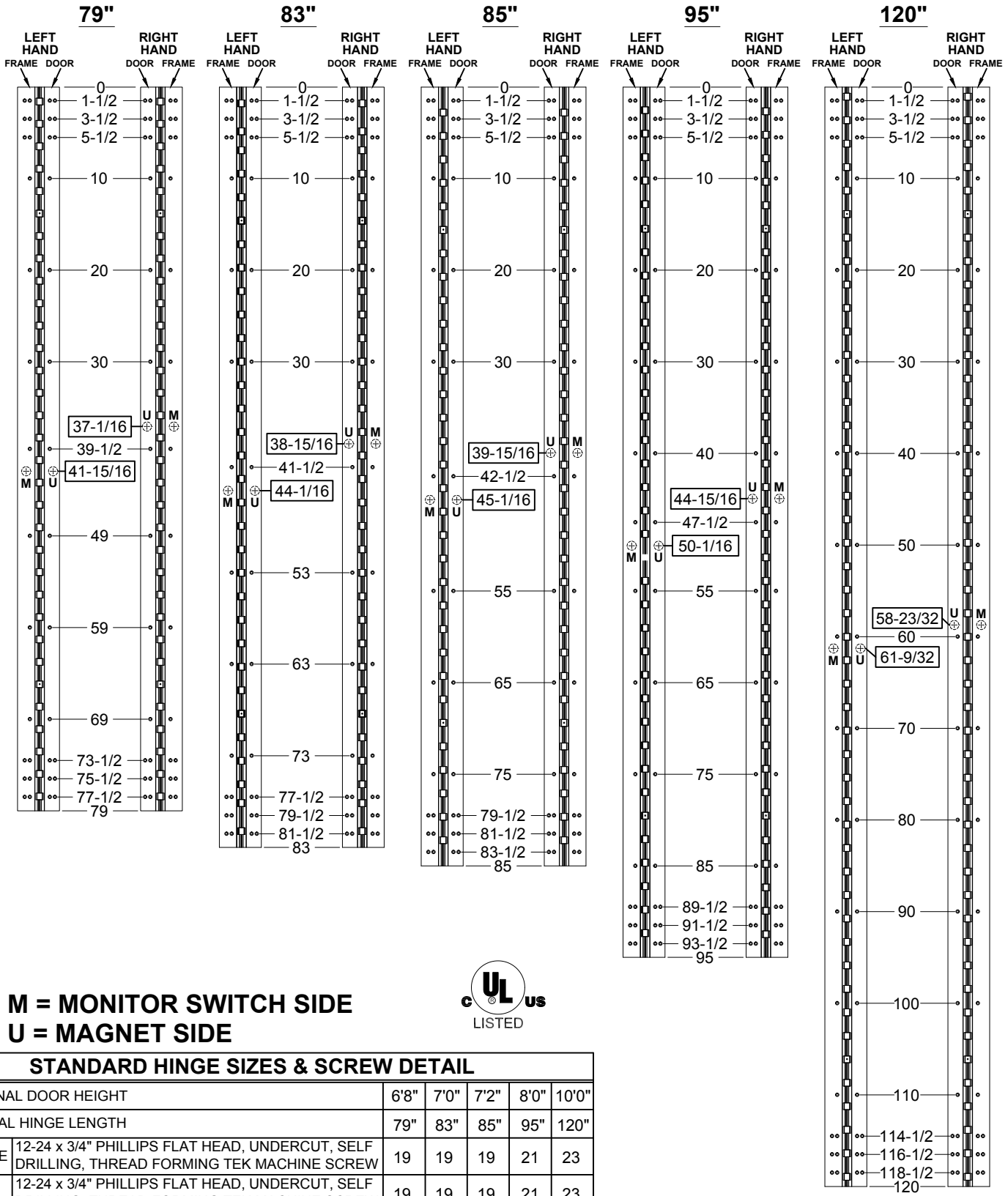


667HD - (CS) CONCEALED SWITCH



M = MONITOR SWITCH SIDE
U = MAGNET SIDE



STANDARD HINGE SIZES & SCREW DETAIL

	6'8"	7'0"	7'2"	8'0"	10'0"
NOMINAL DOOR HEIGHT	6'8"	7'0"	7'2"	8'0"	10'0"
ACTUAL HINGE LENGTH	79"	83"	85"	95"	120"
FRAME	12-24 x 3/4" PHILLIPS FLAT HEAD, UNDERCUT, SELF DRILLING, THREAD FORMING TEK MACHINE SCREW				
	19	19	19	21	23
DOOR	12-24 x 3/4" PHILLIPS FLAT HEAD, UNDERCUT, SELF DRILLING, THREAD FORMING TEK MACHINE SCREW				
	19	19	19	21	23

STANLEY

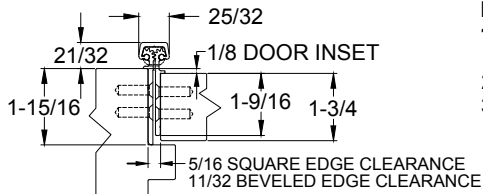
dormakaba USA Inc.
 6161 East 75th Street
 Indianapolis, IN 46250 USA
 Customer Service: 1-855-365-2407

stanleyhardwarefordoors.com

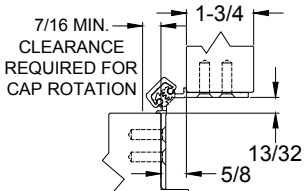
T91640_A
 667HD - (CS) CONCEALED SWITCH

©2020 All rights reserved.

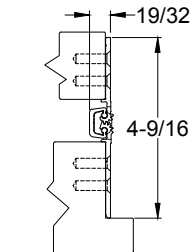
667HD - (CS) CONCEALED SWITCH



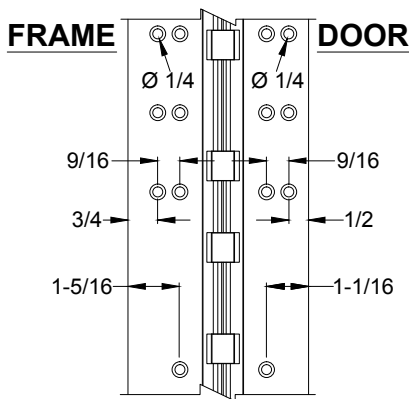
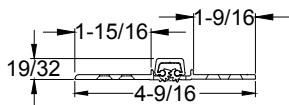
CLOSED POSITION



90° OPENING

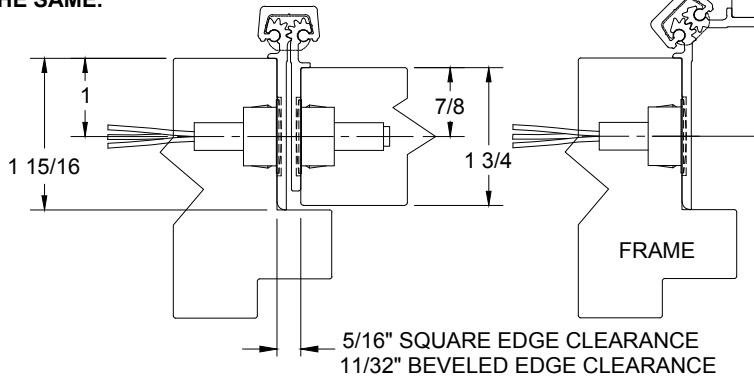


180° OPENING



NOTES:

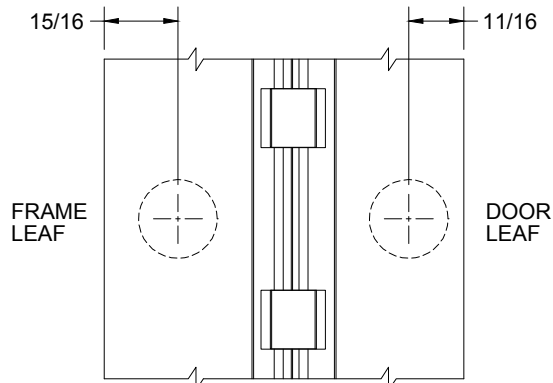
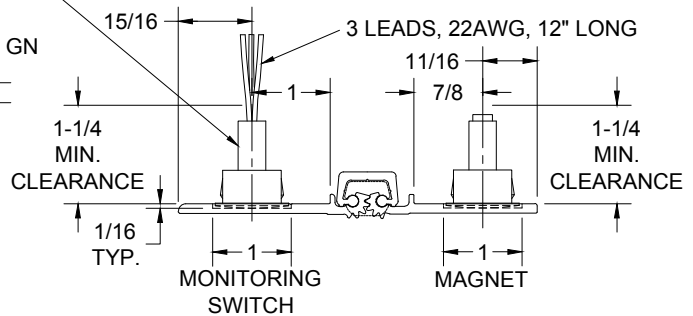
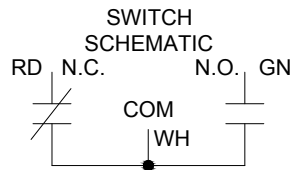
1. HINGES CUT TO CUSTOM LENGTH ARE CUT FROM BOTTOM OF HINGE.
2. SPECIFY HANDING WHEN ORDERING.
3. IF "M" OPTION (MOVEABLE PANEL) OR "R" OPTION (REMOVABLE PANEL) IS CHOSEN, TEMPLATE REMAINS THE SAME.



**MAGNETIC MONITOR SWITCH VIEW,
LEFT HAND SHOWN**

NOTE: 7/8" DIA. MIN. CLEARANCE HOLE REQUIRED IN DOOR & FRAME FOR MONITORING SWITCH AND MAGNET

ELECTRICAL CONFIG.: SPDT
 MAX. INITIAL CONTACT RESISTANCE : 0.140 OHM
 MAX. CONTACT RATING: 5 WATT
 MAX. SWITCHING VOLTAGE: 175 VDC
 MAX. SWITCHING CURRENT: 0.25 AMP



MAGNETIC MONITOR SWITCH VIEW

STANLEY

dormakaba USA Inc.
 6161 East 75th Street
 Indianapolis, IN 46250 USA
 Customer Service: 1-855-365-2407

stanleyhardwarefordoors.com

T91640_A
 667HD - (CS) CONCEALED SWITCH

©2020 All rights reserved.