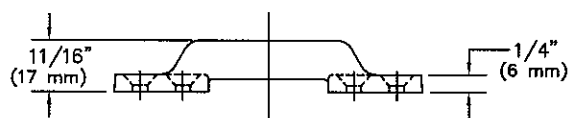
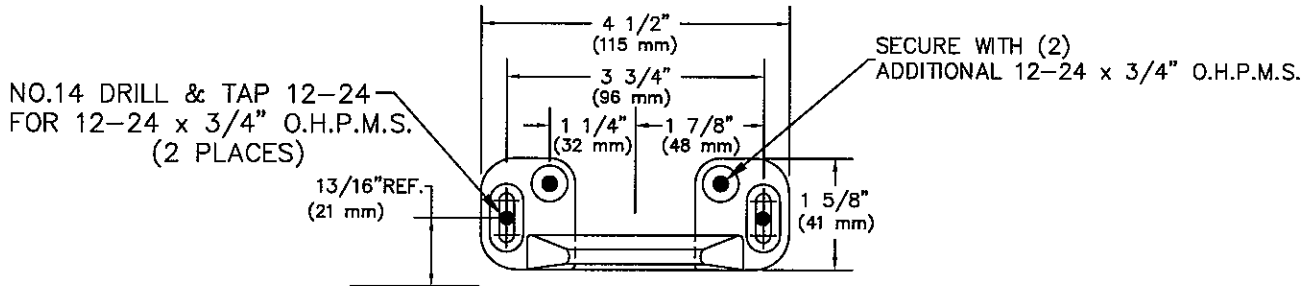
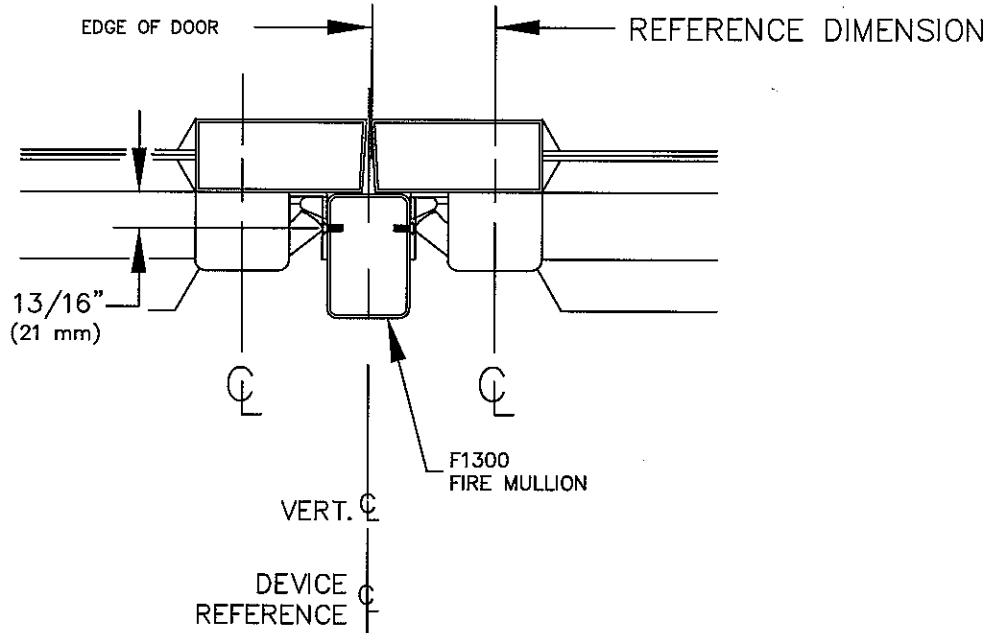
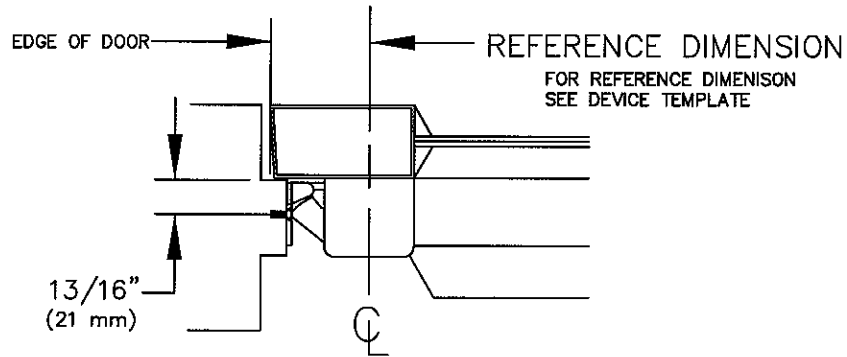



LHRB SHOWN  
RHRB OPPOSITE



NOTE: IF DOOR SILENCERS ARE USED  
ON THE DOOR FRAME, DECREASE  
REF. DIMENSION ACCORDINGLY.

NOT TO SCALE

REV. No. 2	REVISION: Revise Dimension	DATE: 4-1-08
	NO. 463 STRIKE WITH F9300 RIM EXIT DEVICE	TEMPLATE NUMBER T-0114②