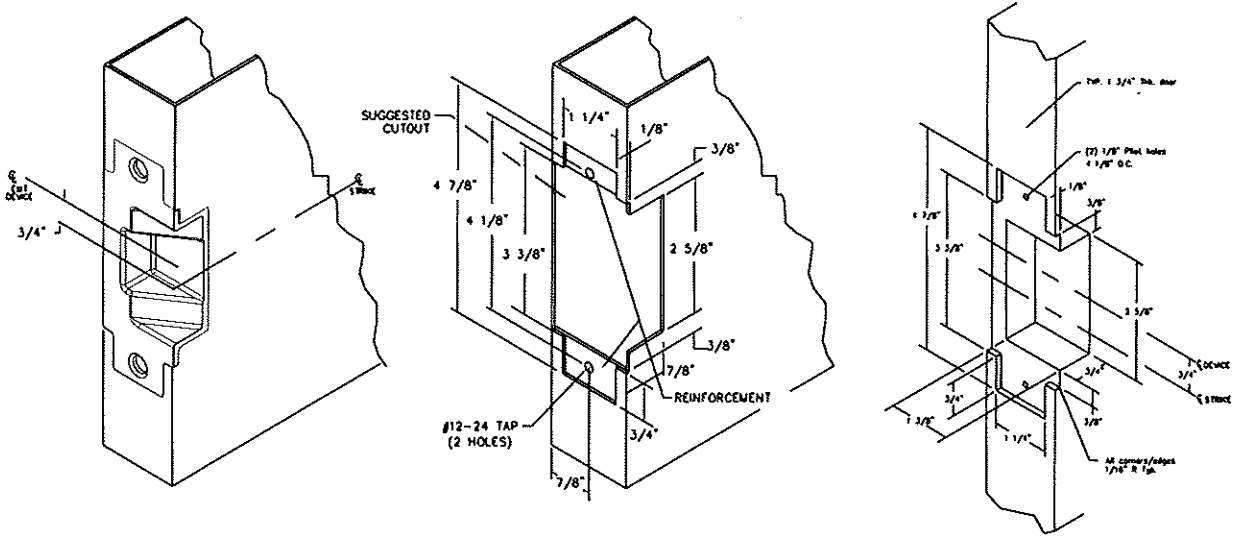
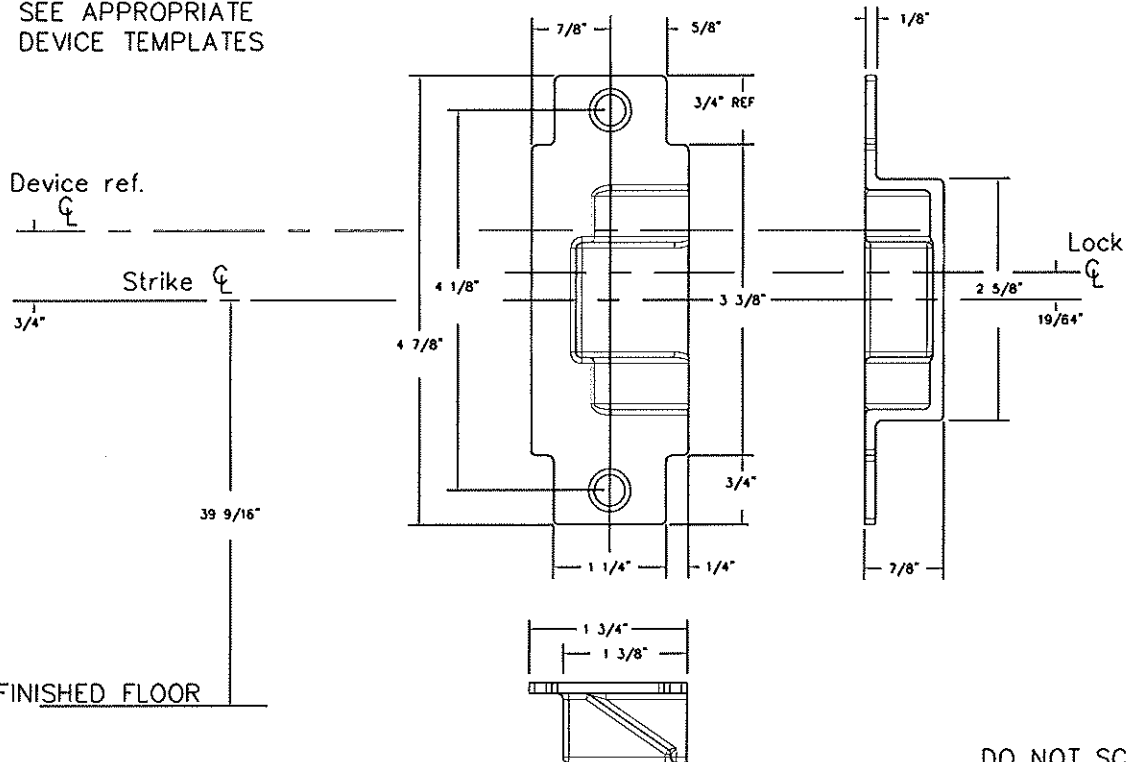



STRIKE PREP SHOWN
 LHR DOOR
 RHR OPPOSITE
 STANDARD PREP STEEL OR WOOD DOOR



FOR DEVICE FUNCTION
 SEE APPROPRIATE
 DEVICE TEMPLATES



DO NOT SCALE

REV. No. 3	REVISION: New non handed strike	DATE: 8-1-15
	<p>NO. M565 STRIKE NON HANDED OPEN BACK STRIKE FOR (NEW) MORTISE TYPE EXIT DEVICES</p>	<p>TEMPLATE NUMBER T-0106A^③</p>