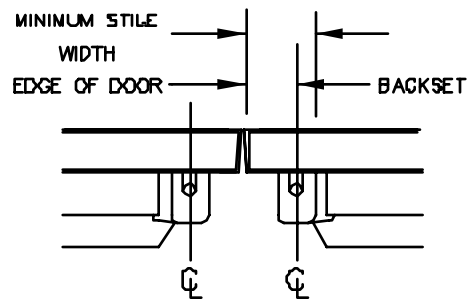
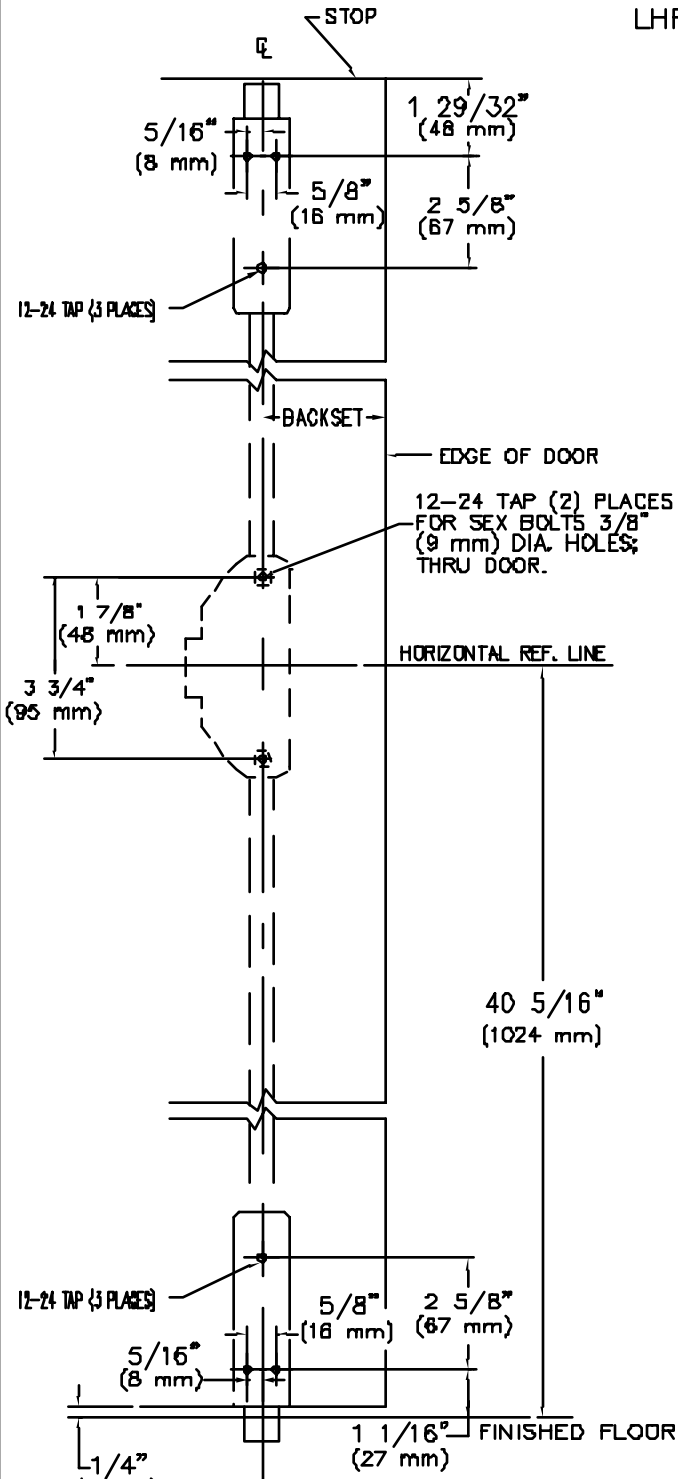
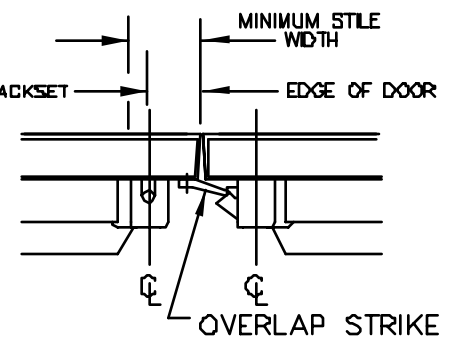
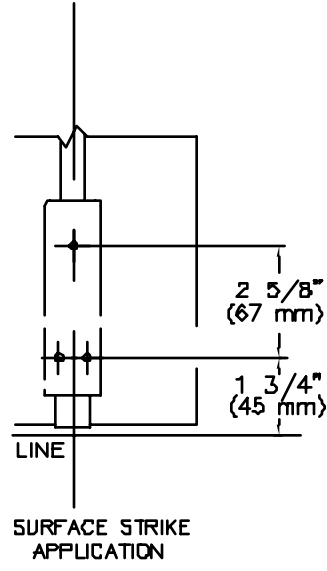


RHR SHOWN
LHR OPPOSITE



	BACKSET	MINIMUM STILE
MINIMUM	1 7/8" (48 mm)	2 7/16" (62 mm)
STANDARD	2 1/16" (52 mm)	2 5/8" (67 mm)

FOR LESS BOTTOM ROD (LBR) DEVICES, DELETE BOTTOM LATCH PREP. POPPER REQUIRED ON FIRE RATED DEVICE, SEE TEMPLATE T-4012.



NOTES:

1. SEE MASTER SHEET #T-0001 FOR SUGGESTED DOOR REINFORCEMENT.
2. SEE ADDITIONAL TRIM TEMPLATE WHEN REQUIRED.
3. FOR LBR (LESS BOTTOM ROD) DEVICE, DELETE BOTTOM LATCH PREP.

BACKSET	MINIMUM STILE
1 5/8" (41 mm)	2 3/16" (55 mm)

REV. No. 2 REVISION: ADD NOTE DATE: 10-20-00



8401 & F8401
VERTICAL ROD TYPE EXIT DEVICE

TEMPLATE NUMBER
T-1046 ②