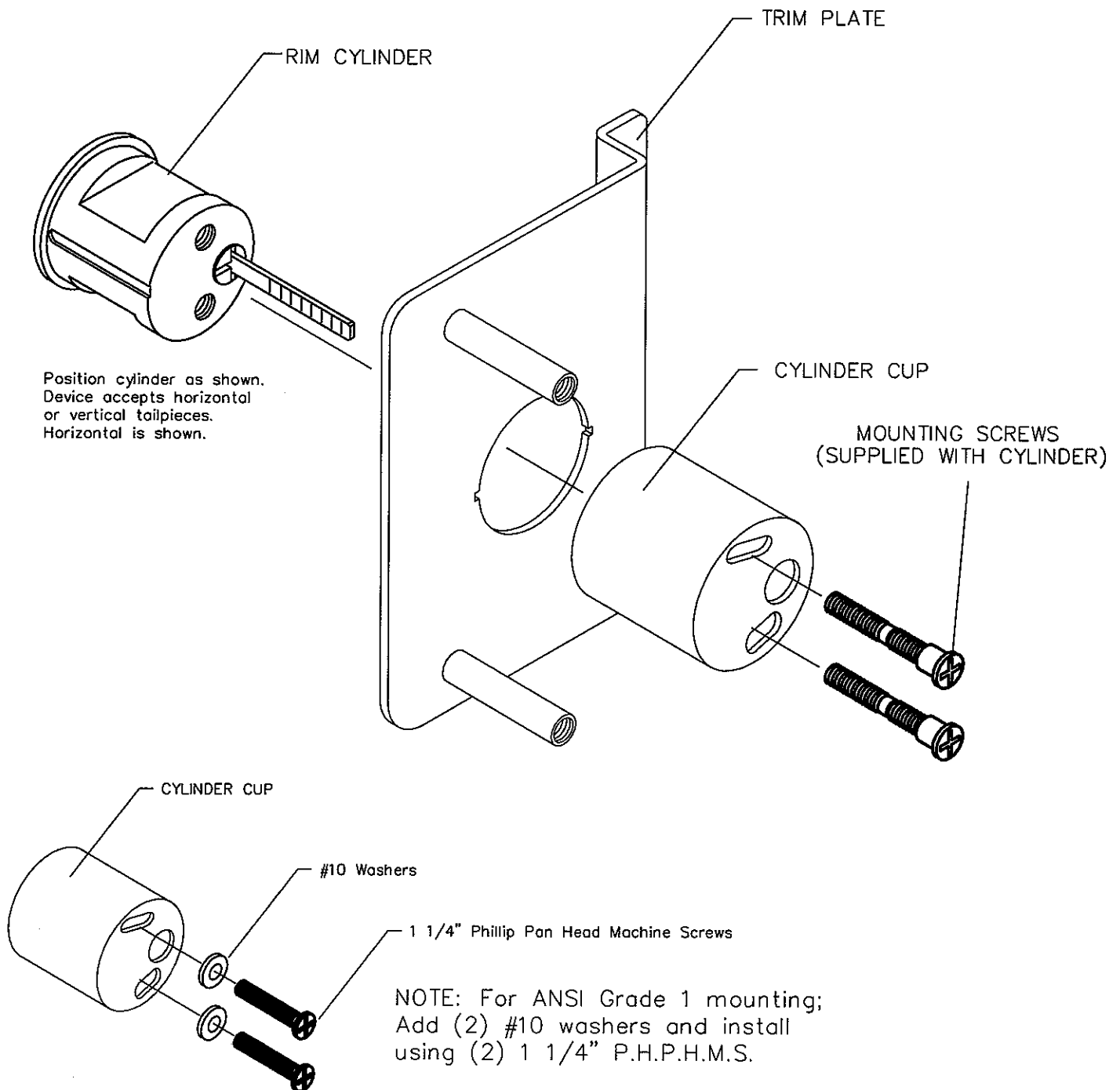


80CK Rim Cylinder Mounting Kit (8000 SERIES)



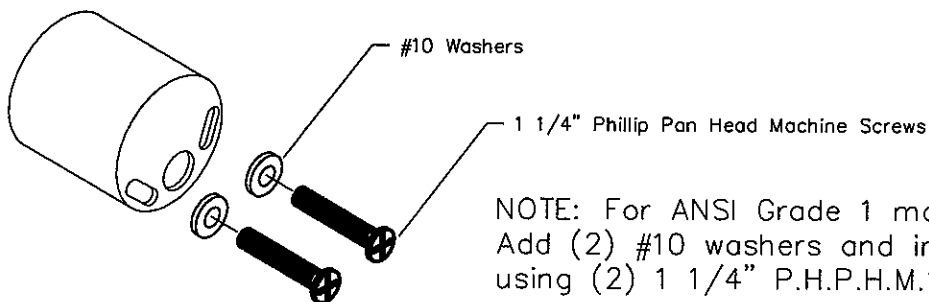
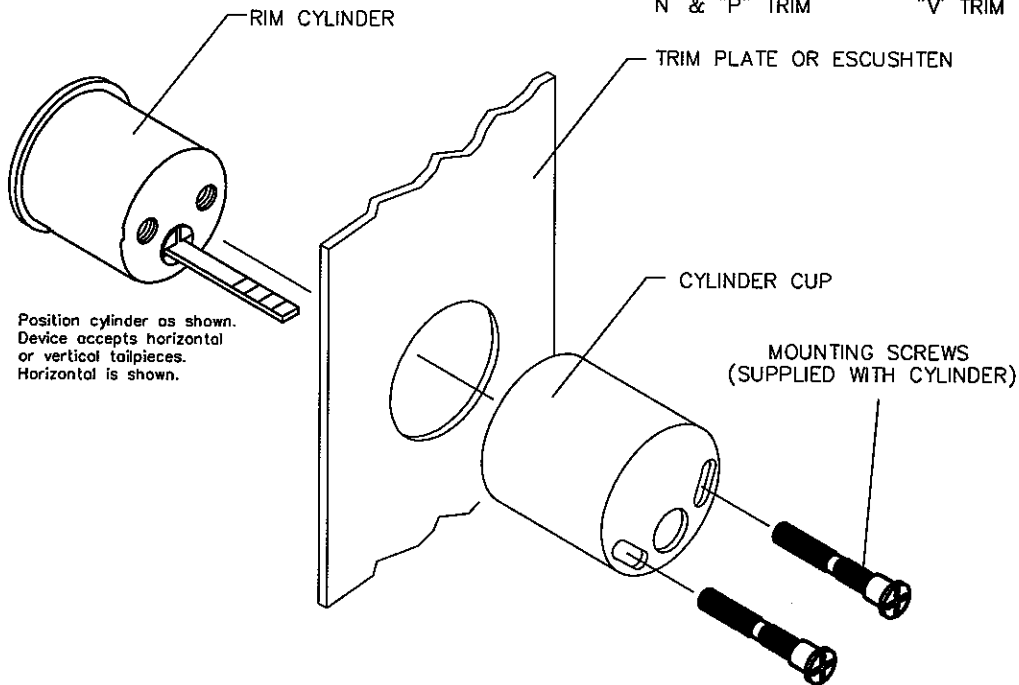
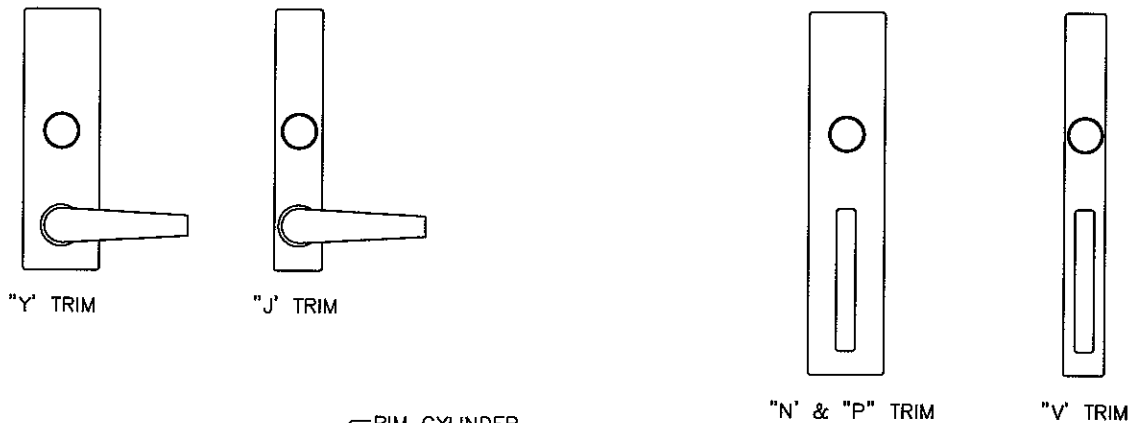
1. Lay out parts included in kit.
2. Insert Rim cylinder thru 8P03 trim plate (positioned as shown.)
3. Slide cylinder cup over cylinder.
4. Attach cylinder cup using screws supplied with cylinder.
5. Measure and verify thickness of door.
6. Trim tail piece if required. (Tail piece should be $1/8'' - 3/16''$ less than thickness of door.) Measure from rear of 8P03 trim plate to tip of tail piece.
7. Install 8P03 trim assembly in door to chassis using (2) screws included with exit device.
8. Refer to device installation instructions for installing exit device.



Rim Cylinder Mounting Kit (All other trims)



1. Lay out parts included in kit.
2. Insert Rim cylinder thru trim (positioned as shown.)
3. Slide cylinder cup over cylinder.
4. Attach cylinder cup using screws supplied with cylinder.
5. Measure and verify thickness of door.
6. Trim tail piece as required.
7. Install trim assembly in door to chassis using screws included with exit device.
8. Refer to device installation instructions for installing exit device.



NOTE: For ANSI Grade 1 mounting; Add (2) #10 washers and install using (2) 1 1/4" P.H.P.H.M.S.