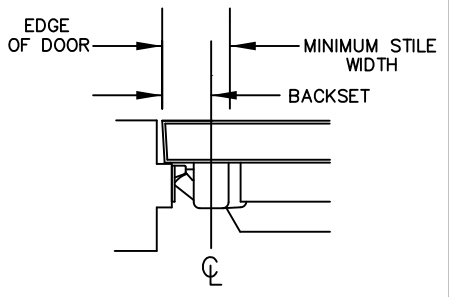


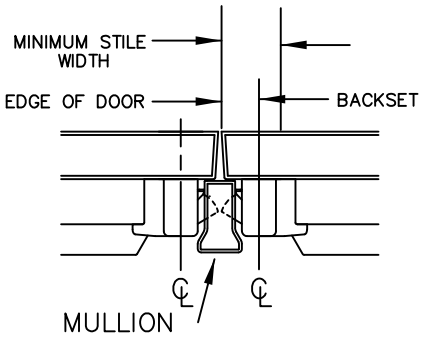
NOTES:
 1. Pairs of Doors using Mullions may not be prepped with ANA1 161.1 Door Prep.

NOT TO SCALE

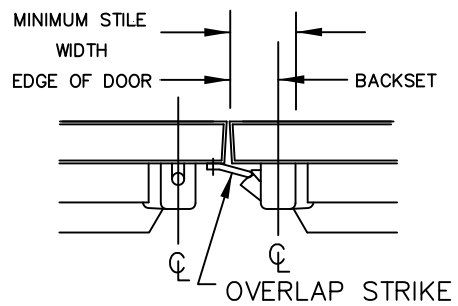
NOTES:
 1. SEE MASTER SHEET #T-0001 FOR SUGGESTED DOOR REINFORCEMENT.
 2. SEE ADDITIONAL TRIM TEMPLATE WHEN REQUIRED.




STOP	STRIKE	BACKSET	MINIMUM STILE
5/8" (16 mm) STOP	443	1 1/2" (38 mm)	3 7/8" (98 mm)
	430	2" (51 mm)	4 1/4" (108 mm)
	486, 463	2 1/8" (54 mm)	4 7/16" (113 mm)



MULLION	STRIKE	BACKSET	MINIMUM STILE
1310	443	1 1/2" (38 mm)	3 3/4" (95 mm)
	430	N/A	N/A
	486, 463	2 1/8" (54 mm)	4 3/8" (111 mm)
1330	430	2 1/4" (56 mm)	4 7/16" (113 mm)
	486, 463	2 7/16" (62 mm)	5 9/16" (143 mm)
F1300	430	2 1/2" (63 mm)	4 11/16" (119 mm)
F1340KR		2 11/16" (68 mm)	4 13/16" (122 mm)

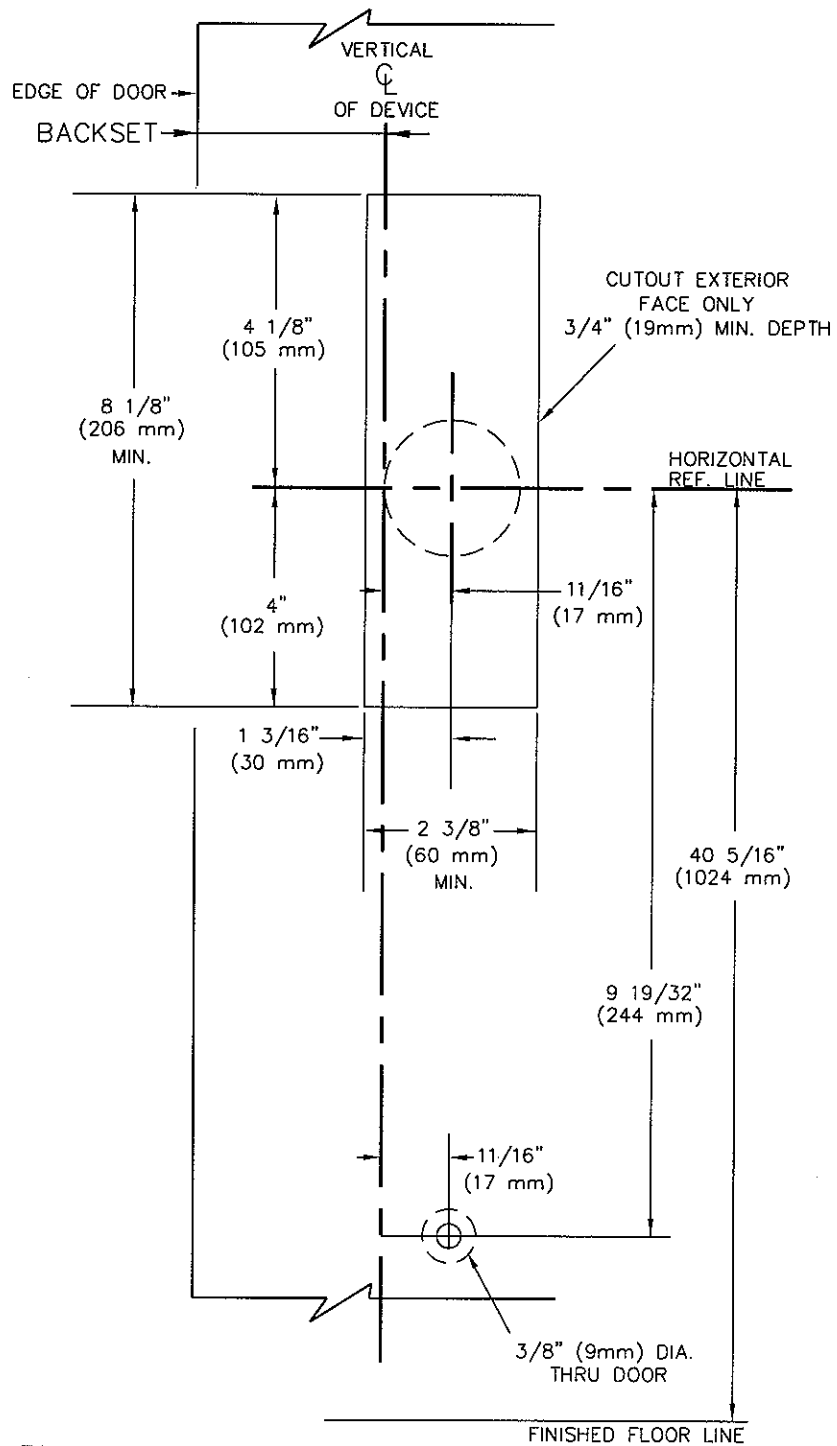


STRIKE	BACKSET	MINIMUM STILE
319/320	1 5/8" (41 mm)	4 1/16" (103 mm)

REV. No. 3	REVISION: ADDED 161.1 PREP NOTE	DATE: 1-29-2014
	8300 & F8300 x HTS22, HRS22, HTS05/06 & HRS05/06 TRIMS RIM TYPE EXIT DEVICE	TEMPLATE NUMBER T-10242 ^④

ALWAYS CONSULT DORMA'S WEB SITE FOR LATEST TEMPLATE AT WWW.DORMA-USA.COM OR CALL 1 800 523 8483 5/97


RHR SHOWN
LHR OPPOSITE



NOT TO SCALE

NOTES:

1. SEE MASTER SHEET #T-0001 FOR SUGGESTED DOOR REINFORCEMENT.

REV. No. 2	REVISION: MODIFY DIMENSION	DATE: 5-9-07
	8300 & F8300 x HTS22, HRS22, HTS05/06, HRS05/06 RIM TYPE EXIT DEVICE	TEMPLATE NUMBER T-2069②