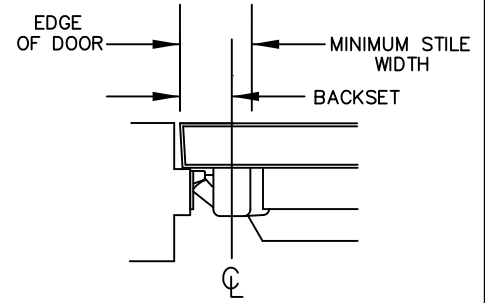
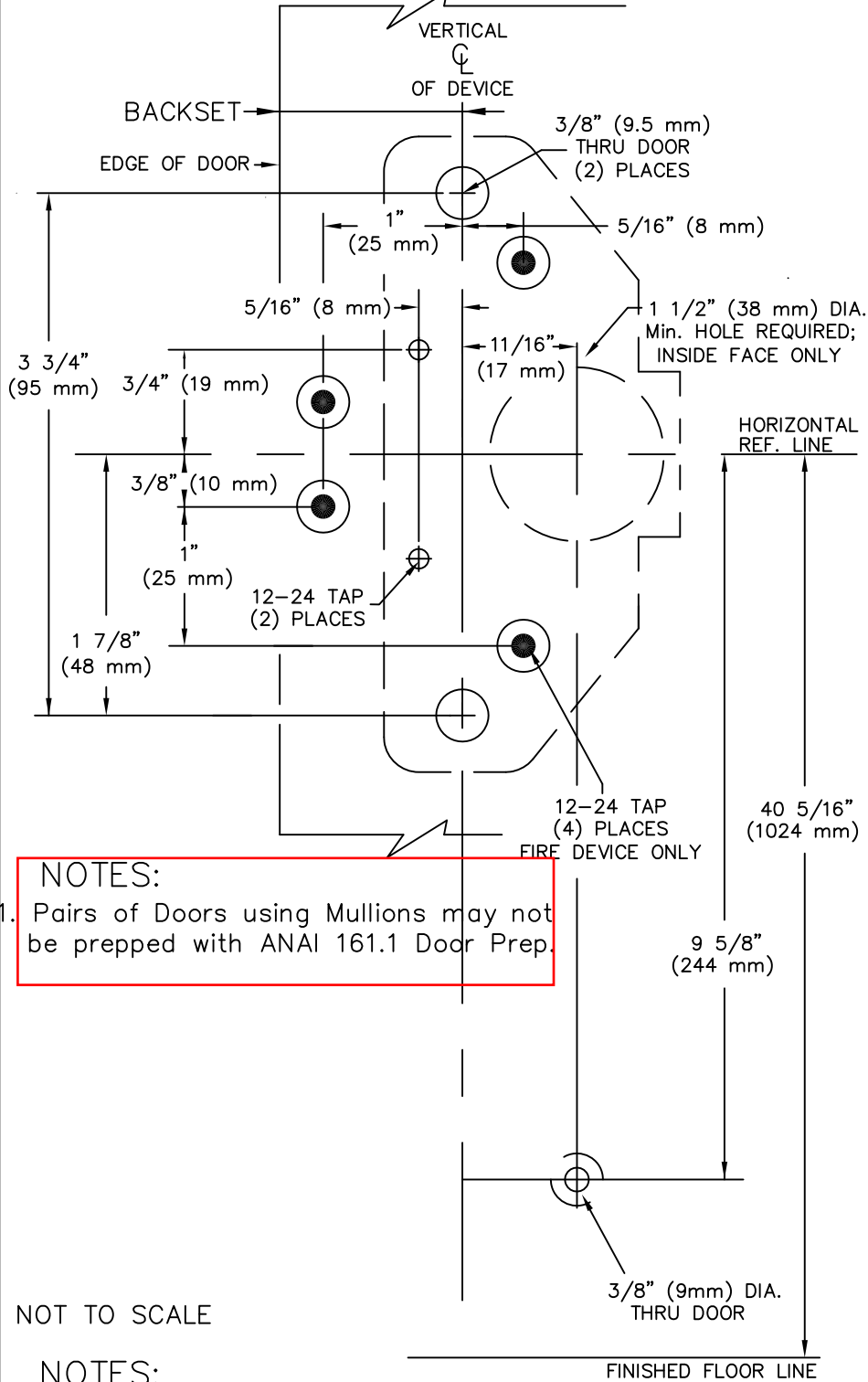
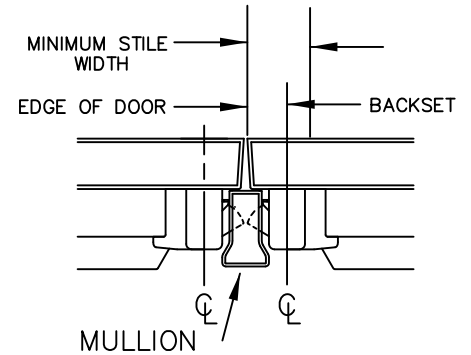


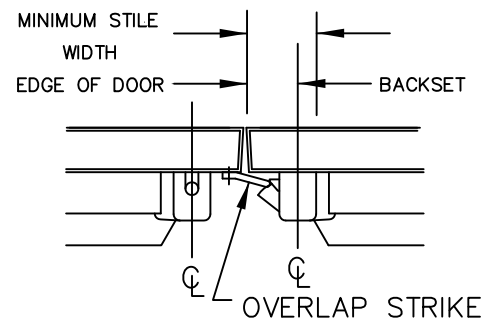
LHR SHOWN
RHR OPPOSITE



STOP	STRIKE	BACKSET	MINIMUM STILE
5/8" (16 mm) STOP	443	1 1/2" (38 mm)	3 7/8" (98 mm)
	430	2" (51 mm)	4 1/4" (108 mm)
	486, 463	2 1/8" (54 mm)	4 7/16" (113 mm)



MULLION	STRIKE	BACKSET	MINIMUM STILE
1310	443	1 1/2" (38 mm)	3 3/4" (95 mm)
	430	N/A	N/A
	486, 463	2 1/8" (54 mm)	4 3/8" (111 mm)
1330	430	2 1/4" (56 mm)	4 7/16" (113 mm)
	486, 463	2 7/16" (62 mm)	5 9/16" (143 mm)
F1300	430	2 1/2" (63 mm)	4 11/16" (119 mm)
F1340KR		2 11/16" (68 mm)	4 13/16" (122 mm)



STRIKE	BACKSET	MINIMUM STILE
319/320	1 5/8" (41 mm)	4 1/16" (103 mm)

NOTES:
1. Pairs of Doors using Mullions may not be prepped with ANAI 161.1 Door Prep.

NOT TO SCALE

NOTES:

- SEE MASTER SHEET #T-0001 FOR SUGGESTED DOOR REINFORCEMENT.
- SEE ADDITIONAL TRIM TEMPLATE WHEN REQUIRED.

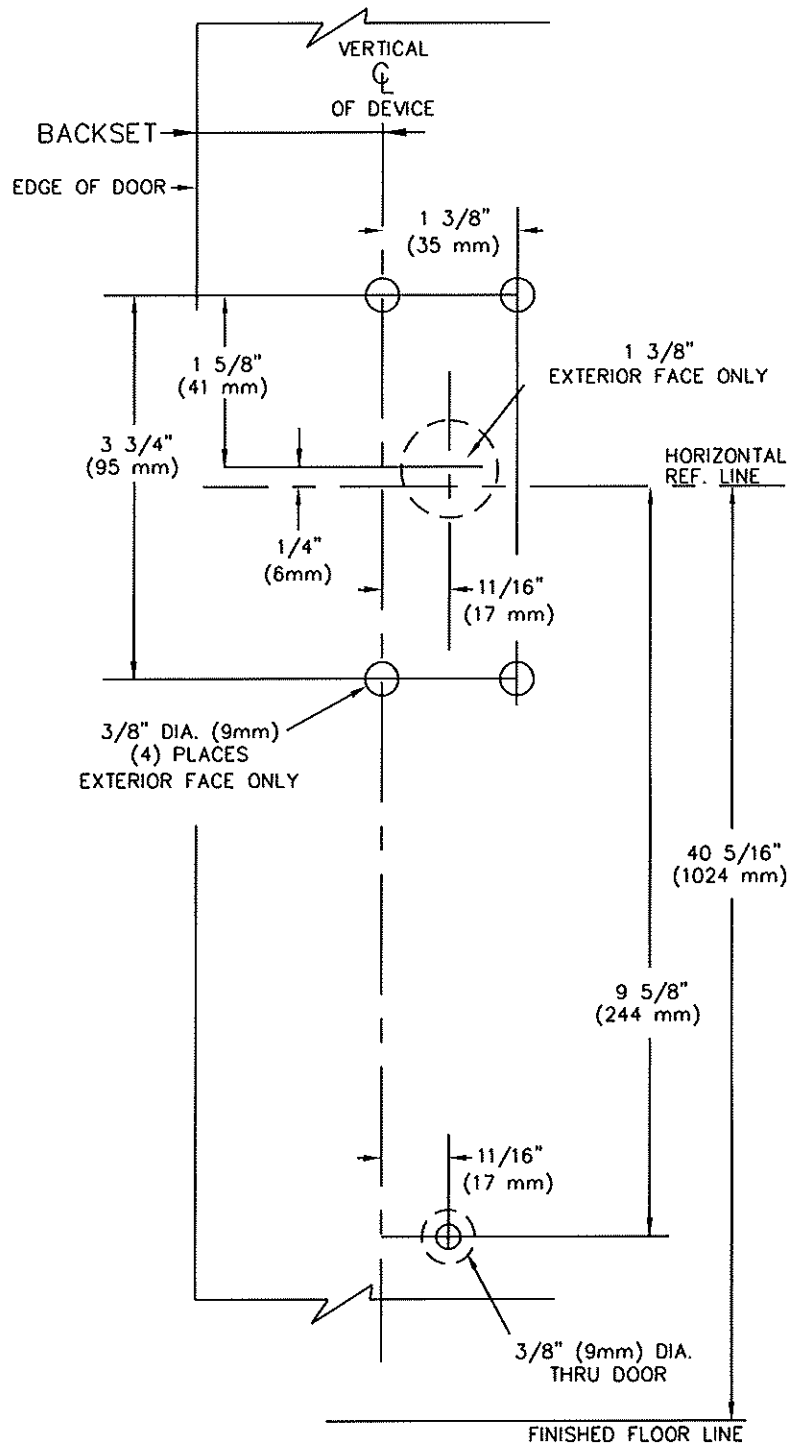
REV. No. 4 REVISION: ANSI 161.1 DOOR PREP NOTE DATE: 1-29-2014



8300 & F8300 x NPSDT, NPS03
PTS03, PRS03, PTS02, PRS02
RIM TYPE EXIT DEVICE

TEMPLATE NUMBER
T-10241⁽⁴⁾


LHR SHOWN
RHR OPPOSITE



NOT TO SCALE

NOTES:

1. SEE MASTER SHEET #T-0001 FOR SUGGESTED DOOR REINFORCEMENT.

REV. No. 2	REVISION: Correct dimension	DATE: 7-2-14
	<p>8300 & F8300 x NPS03, PTS03, PRS03 RIM TYPE EXIT DEVICE</p>	<p>TEMPLATE NUMBER T-2068②</p>