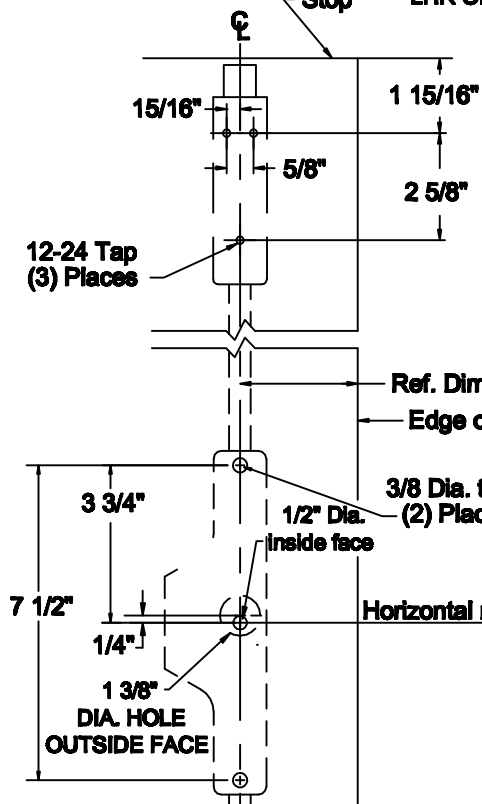


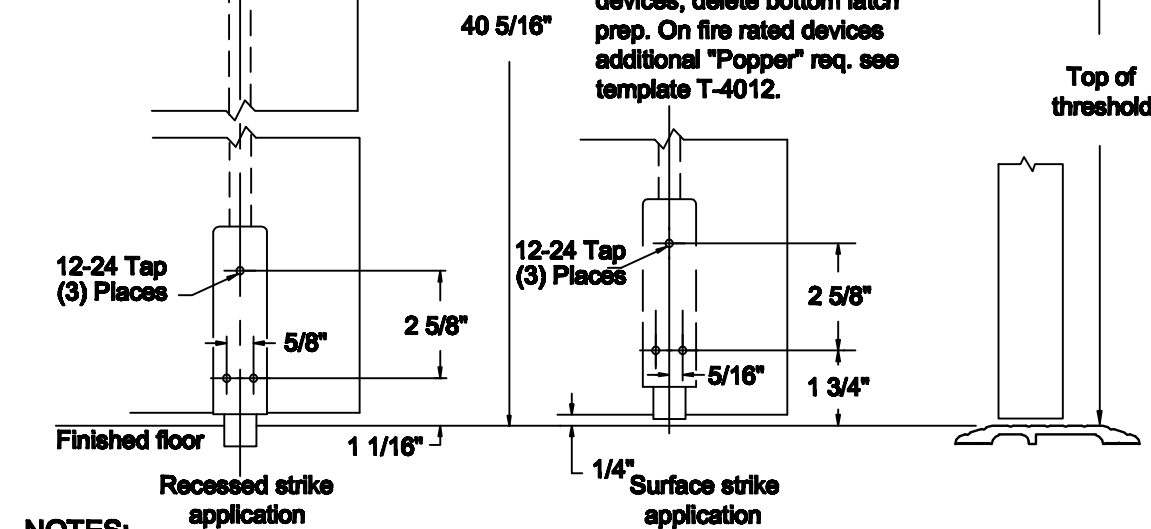
RHR SHOWN  
LHR OPPOSITE

Minimum stile →  
Edge of door → Ref. dimension



	Ref. dim.	Min. stile
Single door 1/2" stop	1 3/8"	2 3/16"
Pairs and double egress	1 1/4"	2 1/8"
Paired with 9700 rim	1 5/8"	2 1/2"

For less bottom rod (LBR) devices, delete bottom latch prep. On fire rated devices additional "Popper" req. see template T-4012.



- NOTES:**
1. SEE MASTER SHEET #T-0001 FOR SUGGESTED DOOR REINFORCEMENT.
  2. SEE ADDITIONAL TRIM TEMPLATE WHEN REQUIRED.
  3. FOR LBR (LESS BOTTOM ROD) DEVICE, DELETE BOTTOM LATCH PREP.

REV. No. 0

REVISION:

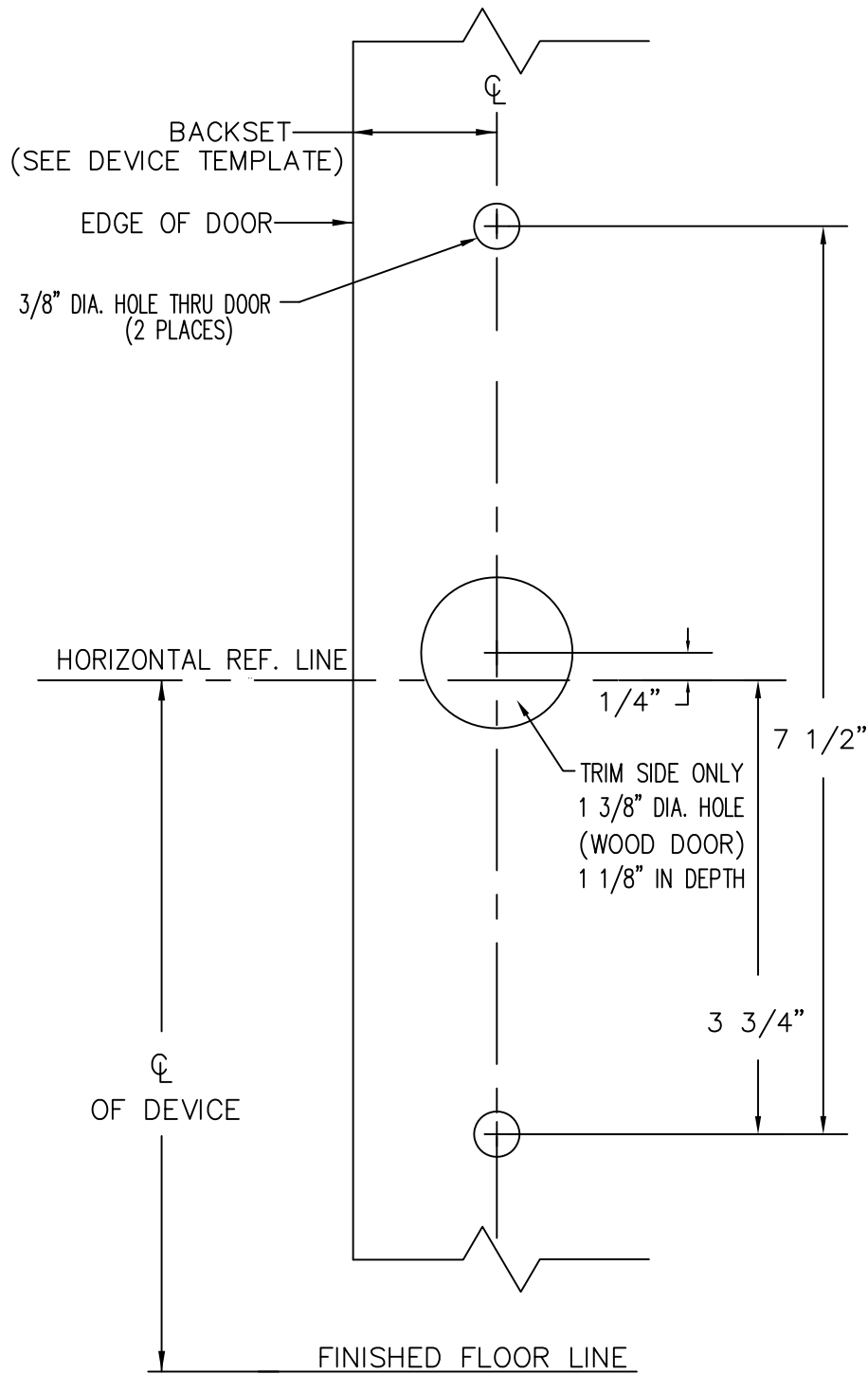
DATE: 2-12-2010



9800 & F9800 x 03 TRIMS  
VERTICAL ROD TYPE EXIT DEVICE


TEMPLATE NUMBER  
T-9803 ©

RHR SHOWN  
LHR OPPOSITE



NOTES:

1. SEE MASTER SHEET #T-0001 FOR SUGGESTED DOOR REINFORCEMENT.

REV. No. 1	REVISION: Lever Design Notes	DATE: 1-22-2014
	<p>Z003, ZP03, Z*03R TRIMS</p> <p>Note; * Denotes all Lever Design Styles</p>	<p>TEMPLATE NUMBER T-9032①</p>