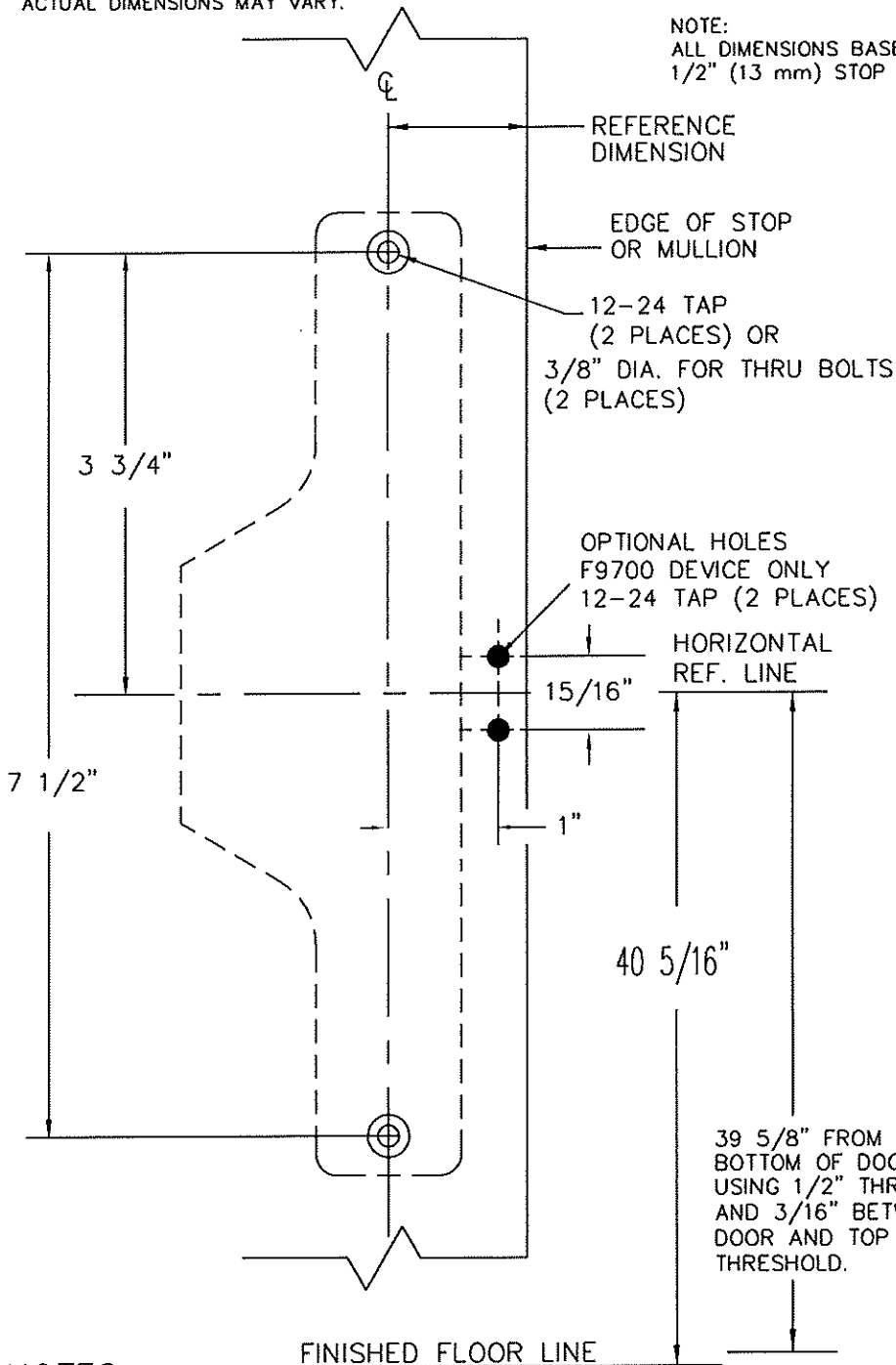
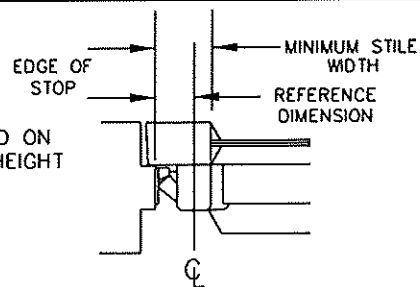


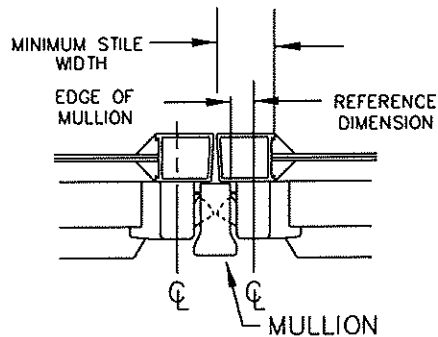
① DO TO VARIANCES IN CYLINDER MANUFACTURERS ACTUAL DIMENSIONS MAY VARY.

RHR SHOWN
LHR OPPOSITE

NOTE:
ALL DIMENSIONS BASED ON 1/2" (13 mm) STOP HEIGHT



	STRIKE	REFERENCE DIMENSION	MIN. STILE
EDGE OF STOP	430	1 3/8"	2 7/16"
	486, 463	1 1/2"	2 9/16"
	425, 443	7/8"	2"
BLADE (CUTOUT)	430	1 3/8"	2"
	486, 463	1 1/2"	2 1/16"
	425, 443	7/8"	1 5/8"



	MULLION	STRIKE	REFERENCE DIMENSION	MIN. STILE
1310		443	7/8"	2 1/16"
		486, 463	1 1/2"	2 11/16"
1330		430	1 3/8"	2 3/4"
		486, 463	1 1/2"	2 7/8"
F1300		430	1 3/8"	3"
1340KR		486, 463	1 1/2"	3 1/16"
F1340KR		486, 463	1 1/2"	3 1/16"

39 5/8" FROM BOTTOM OF DOOR USING 1/2" THRESHOLD AND 3/16" BETWEEN DOOR AND TOP OF THRESHOLD.

NOTES:

1. SEE MASTER SHEET #T-0001 FOR SUGGESTED DOOR REINFORCEMENT.
2. SEE ADDITIONAL TRIM TEMPLATE WHEN REQUIRED.

REV. No. 1

REVISION: Remove strike

DATE: 7-20-15



9700 & F9700 EXIT ONLY (NO TRIM)
RIM TYPE EXIT DEVICE

TEMPLATE NUMBER

T-9701 ①