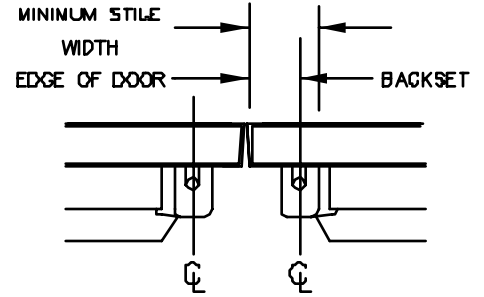
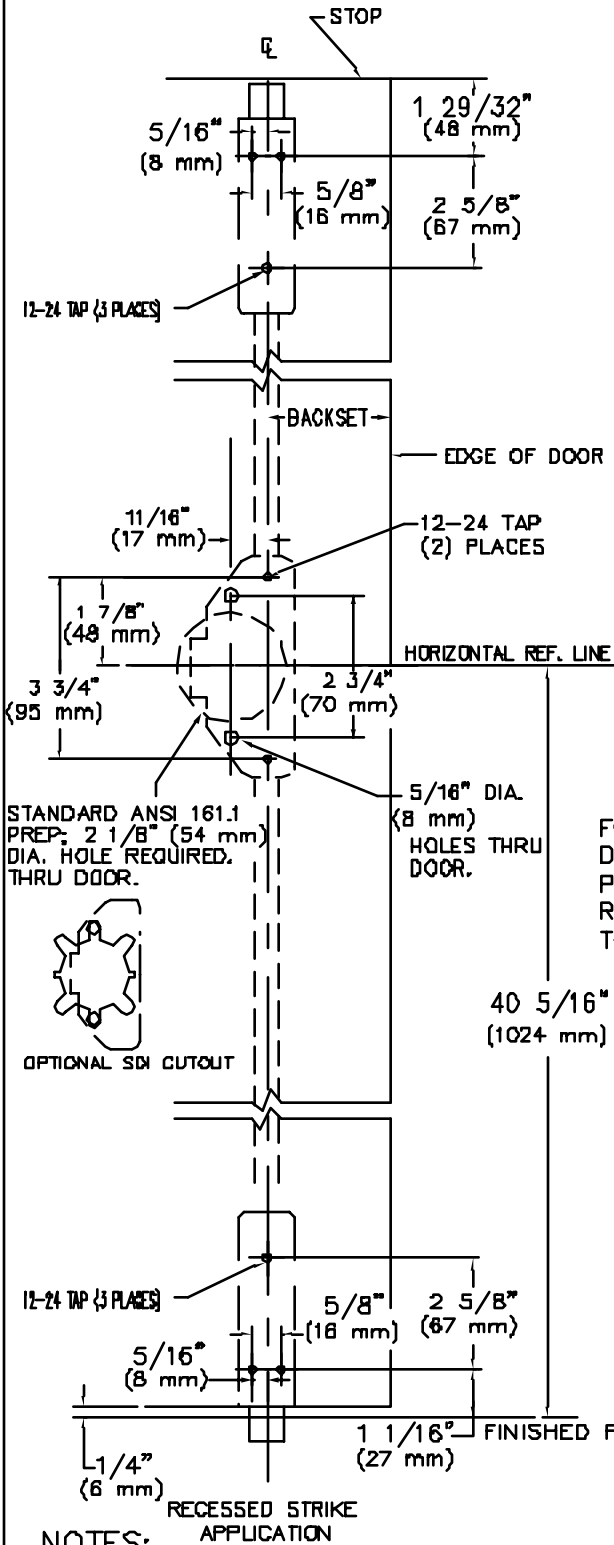
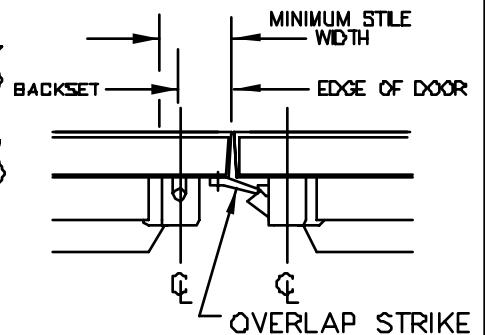
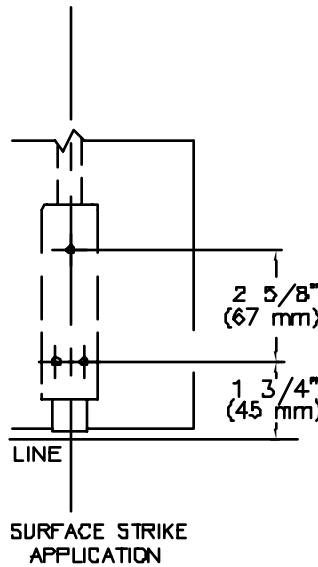


RHR SHOWN  
LHR OPPOSITE



	BACKSET	MINIMUM STILE CYLINDER (NO TRIM)
MINIMUM	1 7/8" (48 mm)	3 1/16" (77 mm)
STANDARD	2 1/16" (52 mm)	3 1/4" (83 mm)

FOR LESS BOTTOM ROD (LBR) DEVICES, DELETE BOTTOM LATCH PREP. POPPER REQUIRED ON FIRE RATED DEVICE, SEE TEMPLATE T-4012.



NOTES:

1. SEE MASTER SHEET #T-0001 FOR SUGGESTED DOOR REINFORCEMENT.
2. SEE ADDITIONAL TRIM TEMPLATE WHEN REQUIRED.
3. FOR LBR (LESS BOTTOM ROD) DEVICE, DELETE BOTTOM LATCH PREP.

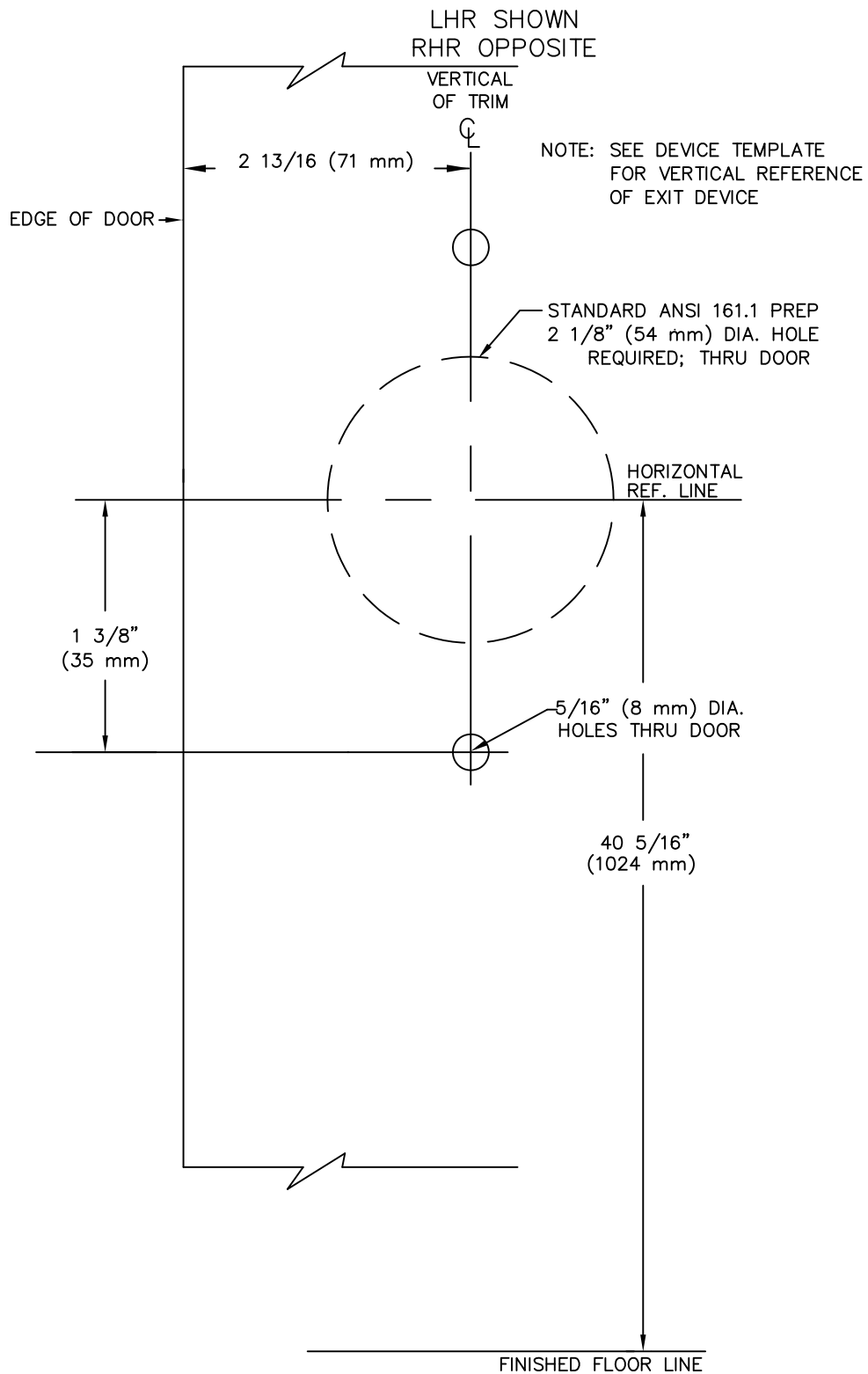
	BACKSET	MINIMUM STILE
319/320	1 5/8" (41 mm)	4" (103 mm)

REV. No. 3 REVISION: REMOVE MIDDLE DRAWING DATE: 8-06-01



B400 & FB400 VERTICAL ROD TYPE EXIT DEVICE WHEN USED WITH  
C03, R03, K03, C03IC, R03IC, K03IC KEY IN LEVER TRIM  
C08, R08, K08, C08IC, R08IC, K08IC KEY IN LEVER TRIM  
C23, R23, K23 LEVER TRIM

TEMPLATE NUMBER  
T-1049 ③



NOT TO SCALE

NOTES:

1. SEE MASTER SHEET #T-0001 FOR SUGGESTED DOOR REINFORCEMENT.

REV. No. 4

REVISION: Delete 9000 SERIES, now only 8000 SERIES

DATE: 11-05-2014



C,K,R02R, C,K,R03R/03RIC, C,K,R08/08IC, C,K,R23  
8000 SERIES LEVER TRIM

TEMPLATE NUMBER  
T-2066 ④