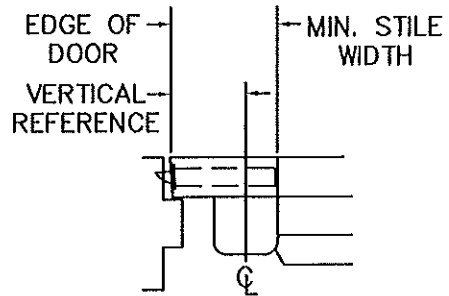
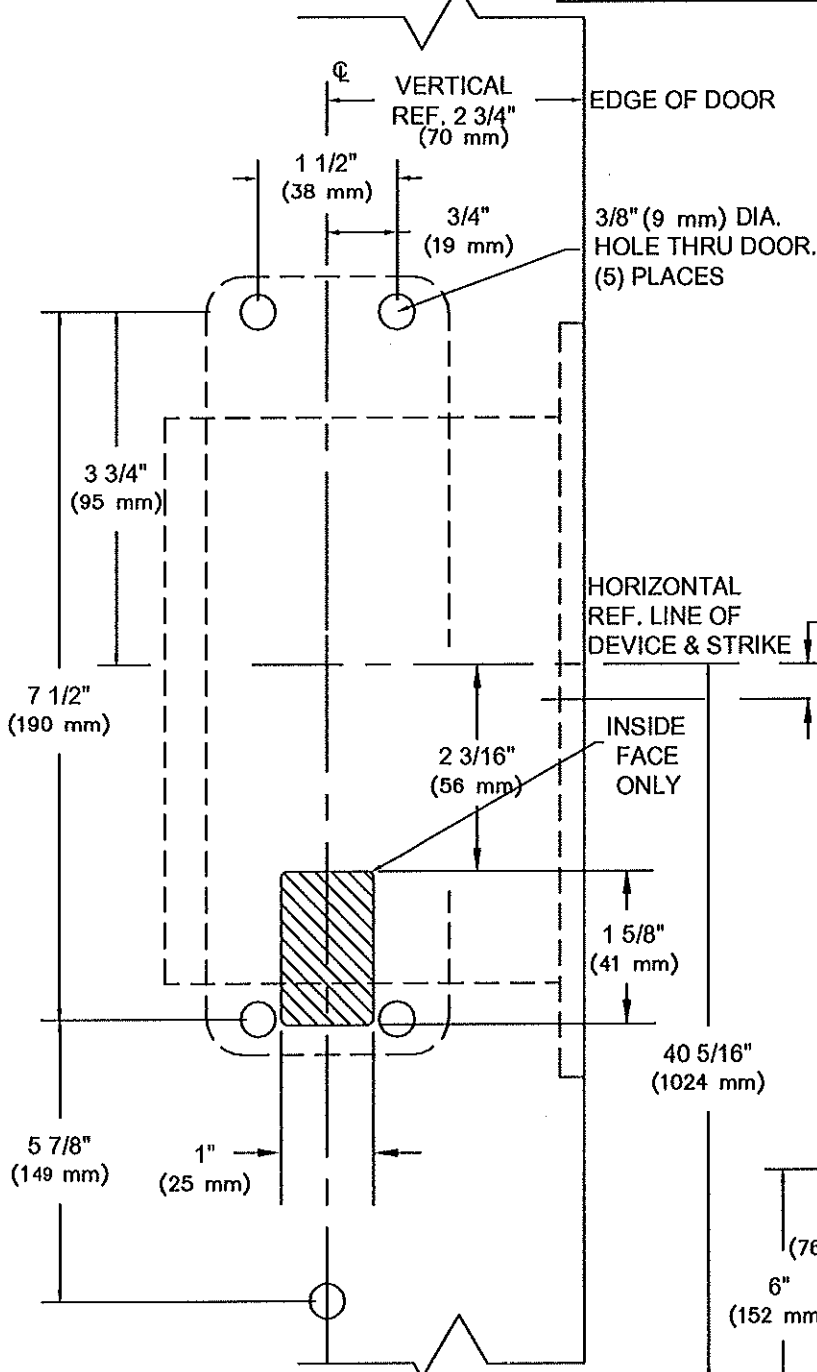
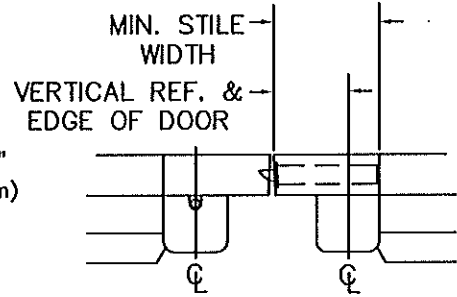


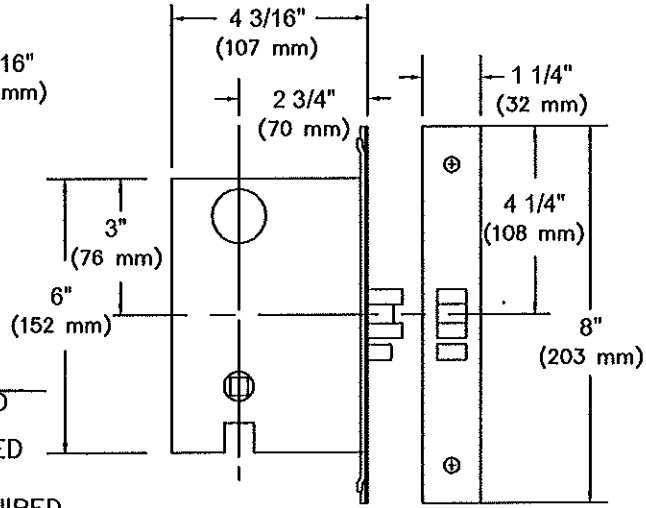
RHR SHOWN  
LHR OPPOSITE



VERTICAL REFERENCE	MINIMUM STILE WIDTH
2 3/4" (70 mm)	4 3/16" (106 mm)




VERTICAL REFERENCE	MINIMUM STILE WIDTH
2 3/4" (70 mm)	4 3/16" (106 mm)

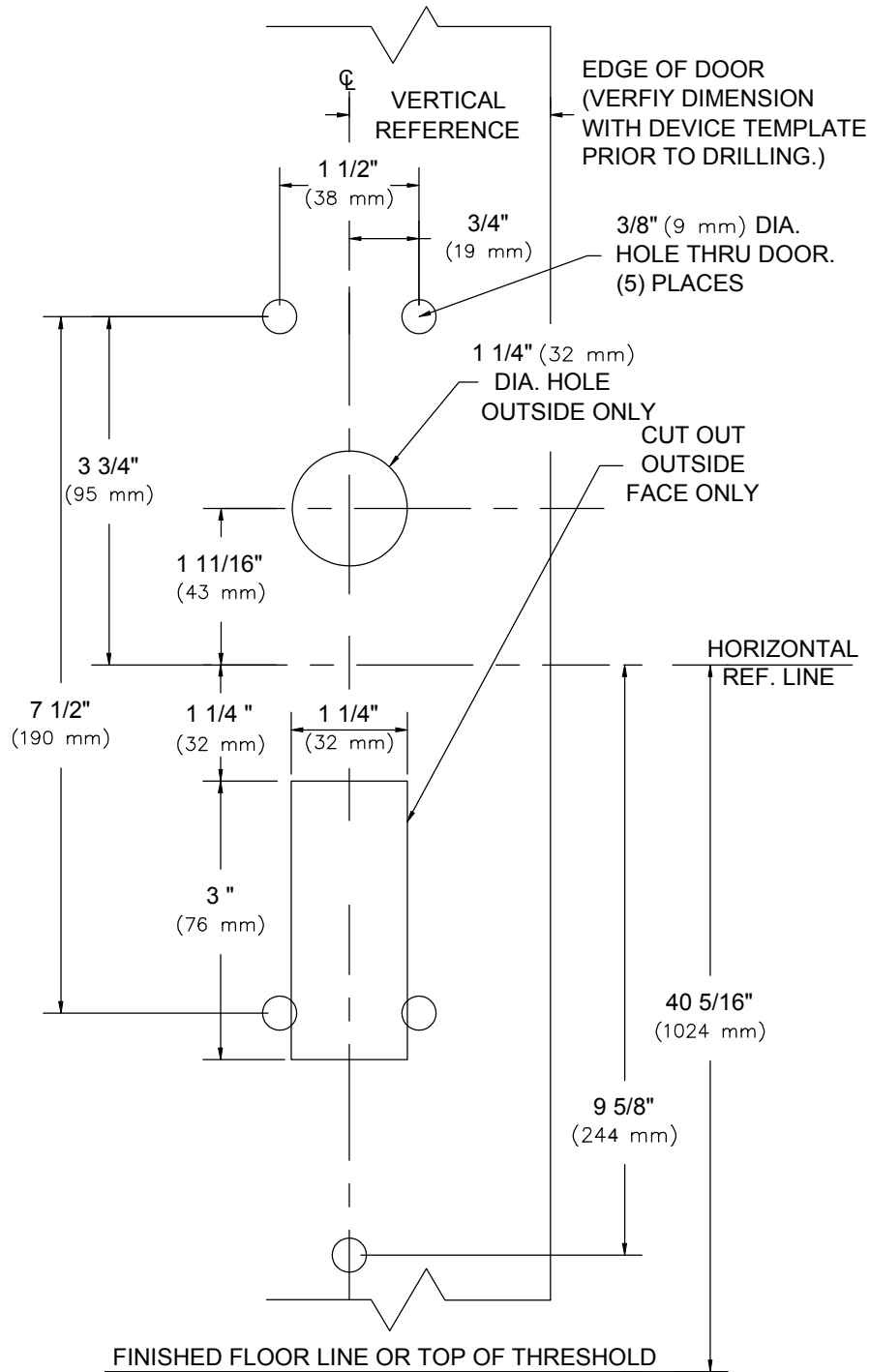


NOTES: FINISHED FLOOR LINE OR TOP OF THRESHOLD

1. SEE MASTER SHEET #T-0001 FOR SUGGESTED DOOR REINFORCEMENT.
2. SEE ADDITIONAL TRIM TEMPLATE WHEN REQUIRED.
3. DEVICE WILL COVER STANDARD SDI CUTOUT.

REV. No. 6	REVISION: Body dimension	DATE: 2-22-15
	9500 & F9500 x VODT & NPTDT 9500 & F9500 x HTT22M, or HRT22M 9500 & F9500 x HTT05M, or HRT05M 9500 & F9500 x V102, V302, PTT02, PRT02 9500 & F9500 x V103M, V303M, PTT03M, PRT03M MORTISE TYPE EXIT DEVICE	TEMPLATE NUMBER <b>T-9502</b>

RHR SHOWN  
LHR OPPOSITE



NOTES:

1. SEE MASTER SHEET #T-0001 FOR SUGGESTED DOOR REINFORCEMENT.
2. SEE ADDITIONAL DEVICE TEMPLATE WHEN REQUIRED.
3. TRIM WILL COVER STANDARD SDI CUTOUT.

REV. No. 3

REVISION: Dimension Correction

DATE: 8-14-03



HTT05M or HRT05M  
TRIM

TEMPLATE NUMBER

T-9010 ③