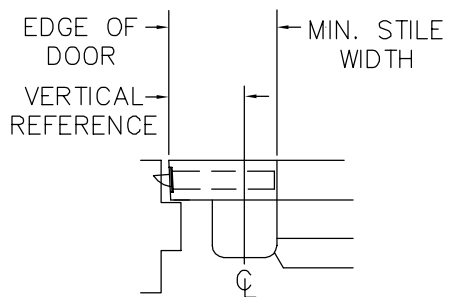
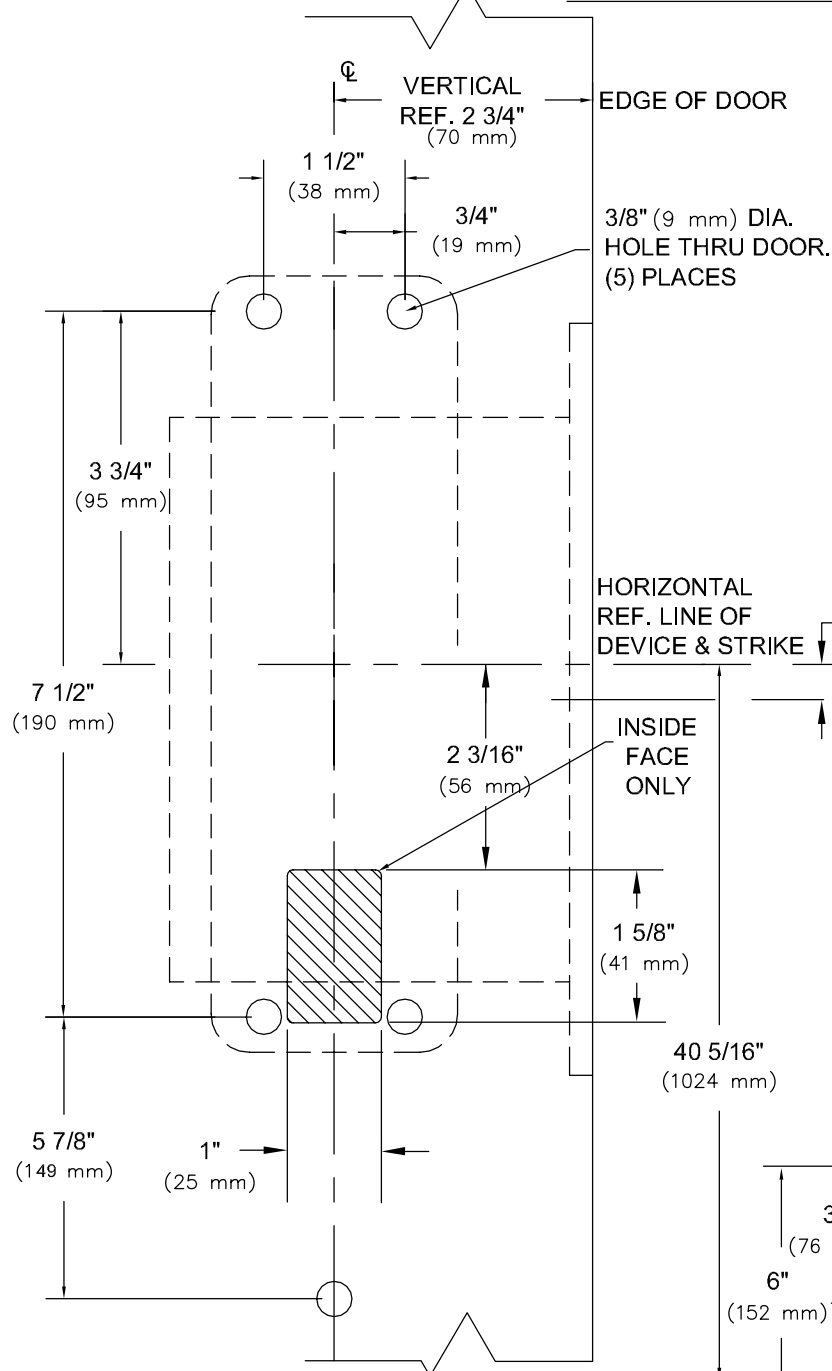
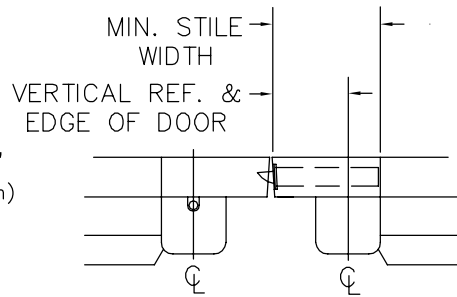


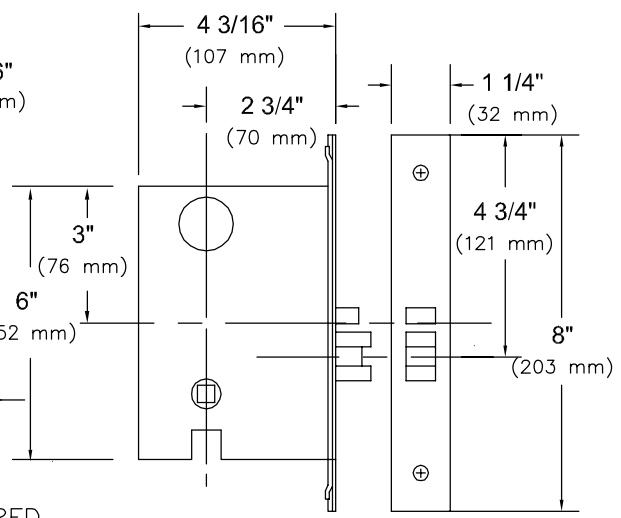
RHR SHOWN
LHR OPPOSITE



VERTICAL REFERENCE	MINIMUM STILE WIDTH
2 3/4" (70 mm)	4 3/16" (106 mm)




VERTICAL REFERENCE	MINIMUM STILE WIDTH
2 3/4" (70 mm)	4 3/16" (106 mm)

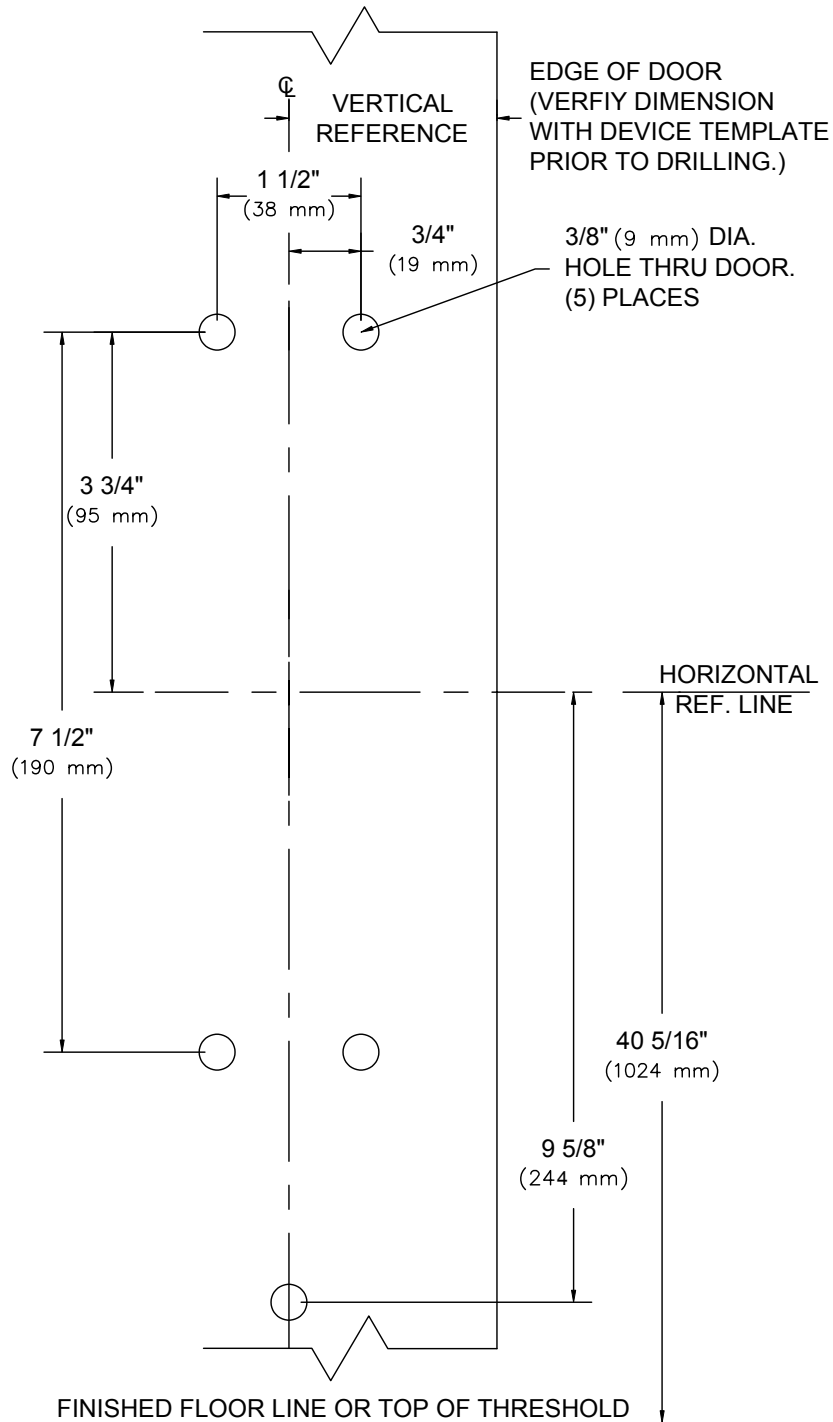


NOTES: FINISHED FLOOR LINE OR TOP OF THRESHOLD

1. SEE MASTER SHEET #T-0001 FOR SUGGESTED DOOR REINFORCEMENT.
2. SEE ADDITIONAL TRIM TEMPLATE WHEN REQUIRED.
3. DEVICE WILL COVER STANDARD SDI CUTOUT.

REV. No. 4	REVISION: Trim Designation	DATE: 12-31-03
	9500 & F9500 x VODT & NPTDT 9500 & F9500 x HTT22M, or HRT22M 9500 & F9500 x HTT05M, or HRT05M 9500 & F9500 x V102, V302, PTT02, PRT02 9500 & F9500 x V103M, V303M, PTT03M, PRT03M MORTISE TYPE EXIT DEVICE	TEMPLATE NUMBER T-9502④


RHR SHOWN
LHR OPPOSITE



NOTES:

FINISHED FLOOR LINE OR TOP OF THRESHOLD

1. SEE MASTER SHEET #T-0001 FOR SUGGESTED DOOR REINFORCEMENT.
2. SEE ADDITIONAL DEVICE TEMPLATE WHEN REQUIRED.
3. "T" STYLE TRIM WILL COVER STANDARD SDI CUTOUT.

REV. No. 5	REVISION: Trim Designation	DATE: 12/31/03
	<p>VODT OR NPTDT V102, V302, PTT02 or PRT02 TRIM</p>	<p>TEMPLATE NUMBER T-9001 ⑤</p>