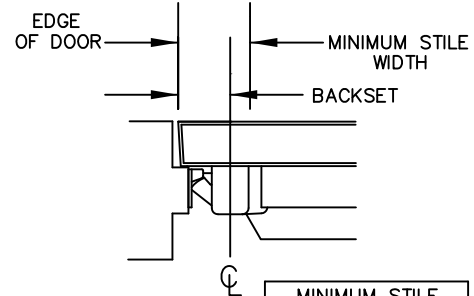
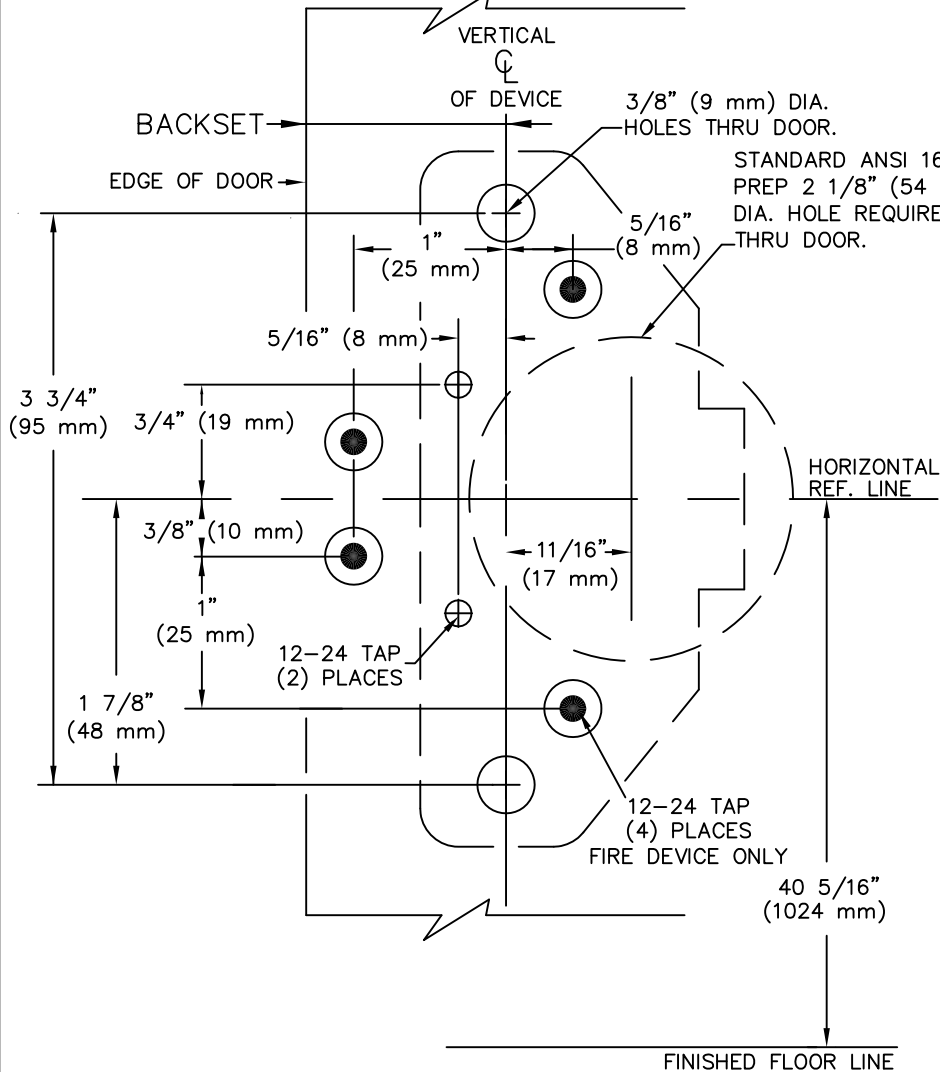
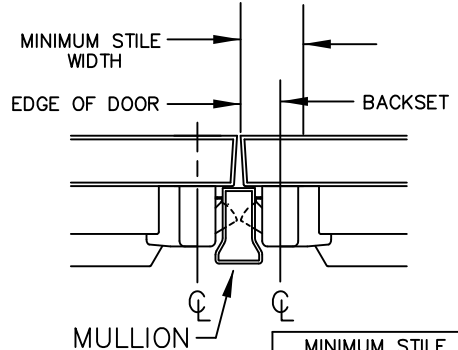


LHR SHOWN
RHR OPPOSITE



STOP	STRIKE	BACKSET	MINIMUM STILE	
			8PDT 8P03	80DT 8003
5/8" (16 mm) STOP	443	1 1/2" (38 mm)	3 3/4" (95 mm)	4 1/16" (103 mm)
	430	2" (51 mm)	4 1/8" (105 mm)	4 7/16" (113 mm)
	486, 463	2 1/8" (54 mm)	4 1/4" (108 mm)	4 5/8" (117 mm)



MULLION	STRIKE	BACKSET	MINIMUM STILE	
			8PDT 8P03	80DT 8003
1310	443	1 1/2" (38 mm)	3 11/16" (94 mm)	4" (102 mm)
	430	N/A	N/A	N/A
	486, 463	2 1/8" (54 mm)	4 1/4" (108 mm)	4 9/16" (116 mm)
1330	430	2 1/4" (56 mm)	4 1/4" (108 mm)	4 5/8" (117 mm)
	486, 463	2 7/16" (62 mm)	4 7/16" (113 mm)	4 3/4" (121 mm)
F1300	430	2 1/2" (63 mm)	4 1/2" (114 mm)	4 13/16" (122 mm)
1340KR	486, 463	2 11/16" (68 mm)	4 11/16" (119 mm)	5" (127 mm)

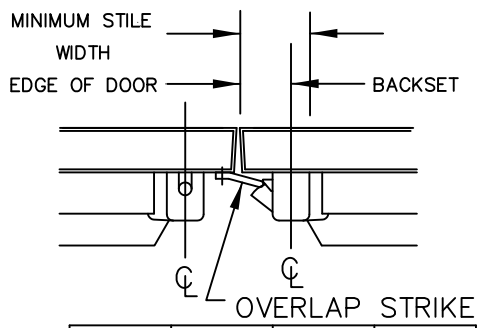
NOTES:

1. Pairs of Doors using Mullions may not be prepped with ANSI 161.1 Door Prep.

NOT TO SCALE

NOTES:

1. SEE MASTER SHEET #T-0001 FOR SUGGESTED DOOR REINFORCEMENT.
2. SEE ADDITIONAL TRIM TEMPLATE WHEN REQUIRED.



STRIKE	BACKSET	8PDT 8P03	80DT 8003
319/320	1 5/8" (41 mm)	3 1/2" (89 mm)	4 1/16" (103 mm)

REV. No. 4

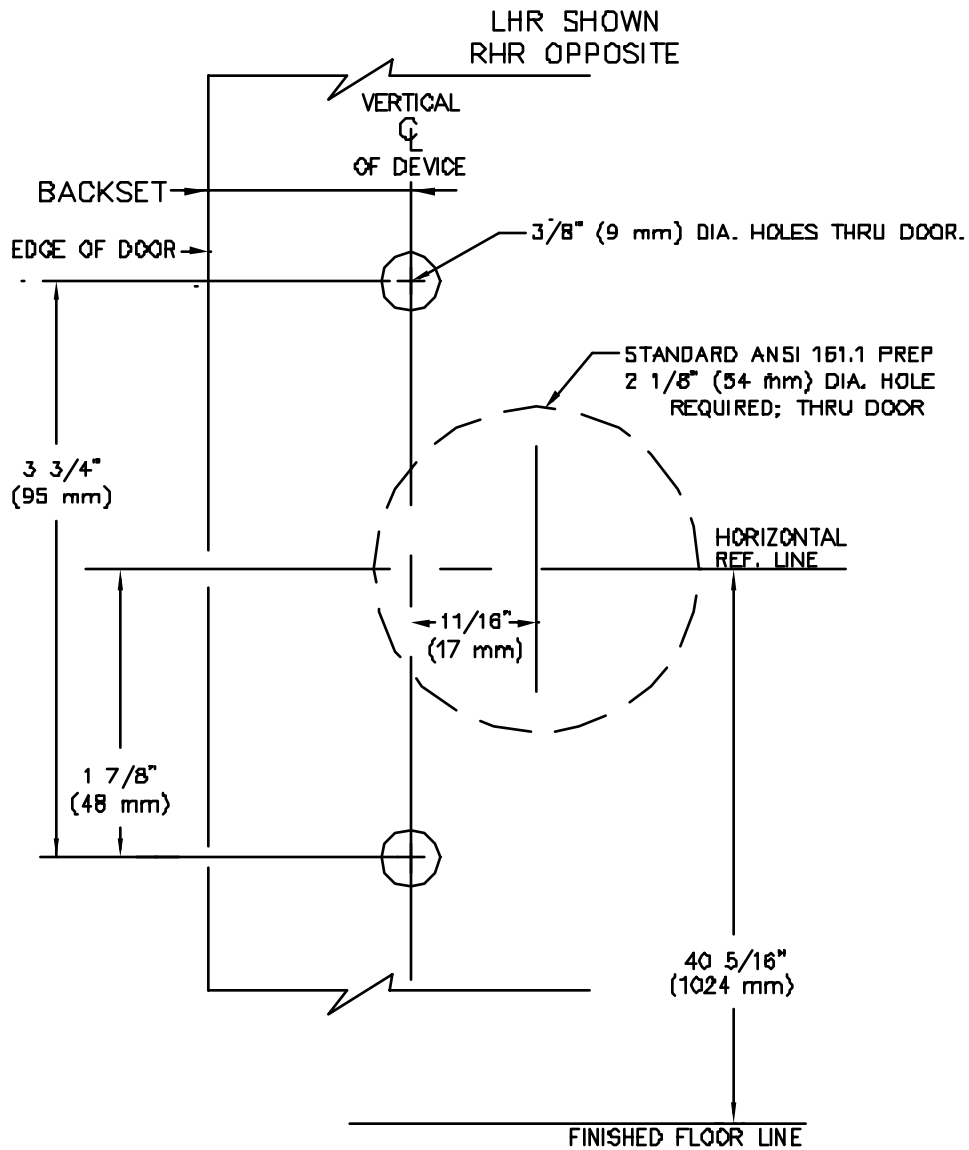
REVISION: ANSI 161.1 DOOR PREP NOTE

DATE: 1-29-2014



8300 & F8300 x 80DT
 8300 & F8300 x 8PDT
 8300 & F8300 x 8003
 8300 & F8300 x 8P03
 RIM TYPE EXIT DEVICE


TEMPLATE NUMBER
 T-1021④



NOT TO SCALE

NOTES:

1. SEE MASTER SHEET #T-0001 FOR SUGGESTED DOOR REINFORCEMENT.

REV. No. 1	REVISION: ADD NEW BORDER	DATE: 4-25-00
	<p>8003 TRIM 8P03 TRIM 8L08 TRIM 8L23 TRIM</p>	<p>TEMPLATE NUMBER T-2061①</p>