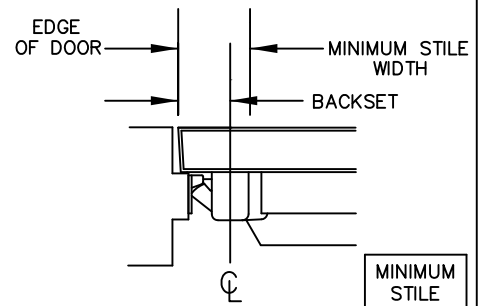
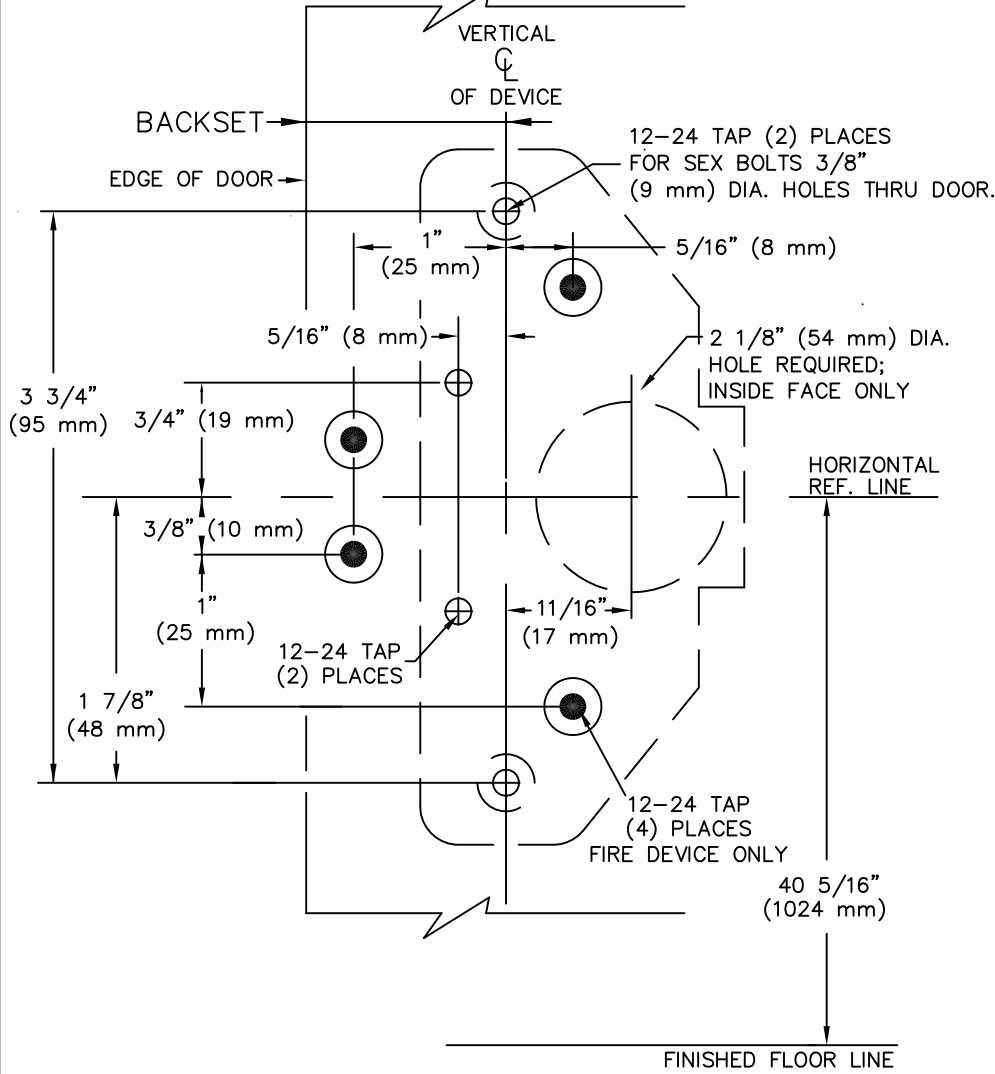
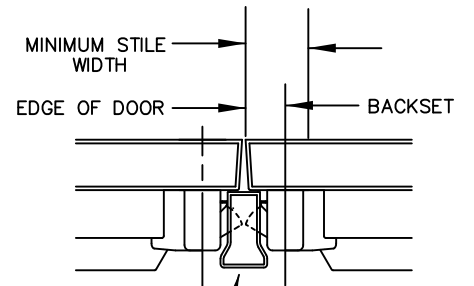


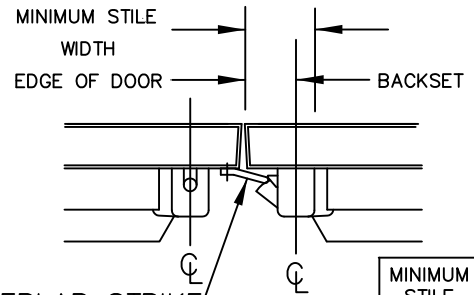
LHR SHOWN
RHR OPPOSITE



			MINIMUM STILE
STOP	STRIKE	BACKSET	CYLINDER (NO TRIM)
5/8" (16 mm) STOP	443	1 1/2" (38 mm)	3" (76 mm)
	430	2" (51 mm)	3 3/8" (86 mm)
	486, 463	2 5/32" (55 mm)	3 1/2" (89 mm)



			MINIMUM STILE
MULLION	STRIKE	BACKSET	CYLINDER (NO TRIM)
1310	443	1 1/2" (38 mm)	2 3/4" (70 mm)
	430	N/A	N/A
	486, 463	2 1/8" (54 mm)	3 1/2" (89 mm)
1330	430	2 1/4" (56 mm)	3 1/2" (89 mm)
	486, 463	2 7/16" (62 mm)	3 5/8" (92 mm)
F1300	430	2 1/2" (63 mm)	3 3/4" (95 mm)
1340KR		2 11/16" (68 mm)	4"
F1340KR	486, 463	2 11/16" (68 mm)	4"



			MINIMUM STILE
OVERLAP STRIKE	STRIKE	BACKSET	CYLINDER (NO TRIM)
	319/320	1 5/8" (41 mm)	2 13/16" (71 mm)

NOTES:
1. Pairs of Doors using Mullions may not be prepped with ANA1 161.1 Door Prep.

NOT TO SCALE

NOTES:

1. SEE MASTER SHEET #T-0001 FOR SUGGESTED DOOR REINFORCEMENT.
2. SEE ADDITIONAL TRIM TEMPLATE WHEN REQUIRED.

REV. No. 5

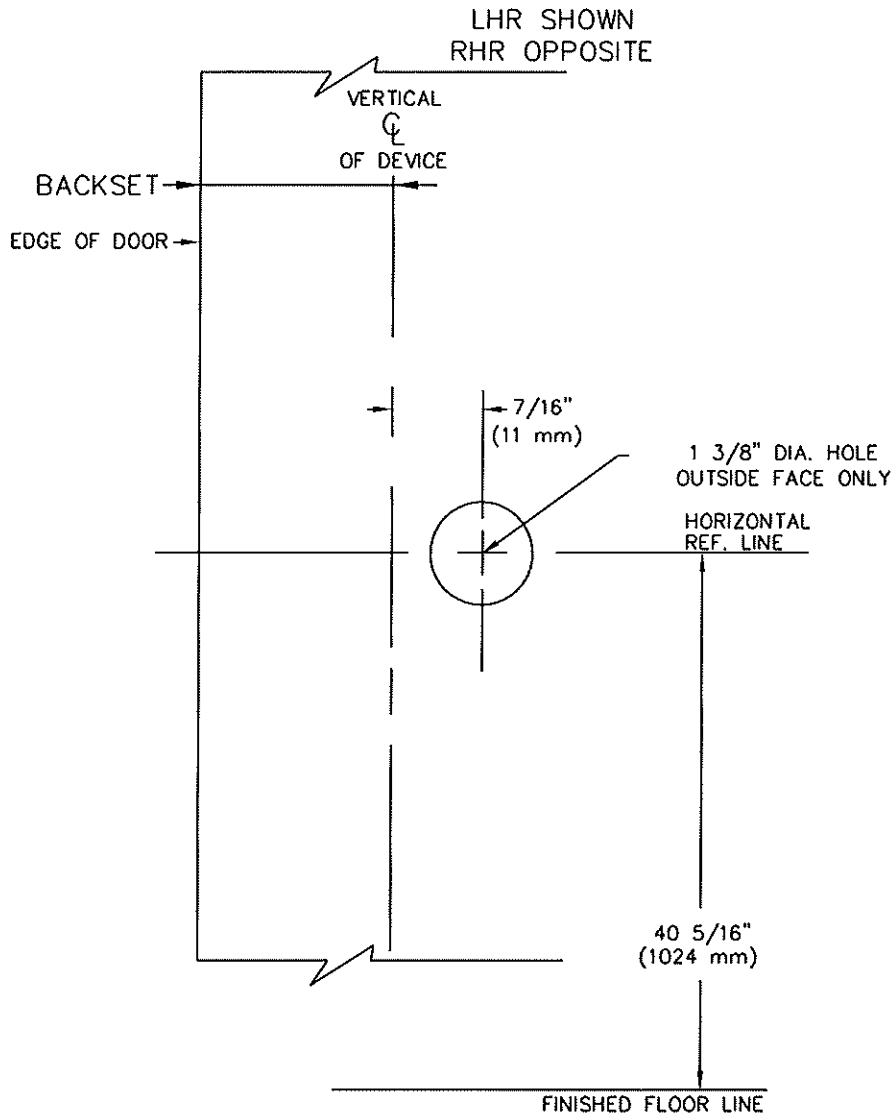
REVISION: ANSI 161.1 DOOR PREP NOTE

DATE: 1-29-2014



8300 & F8300 x CYLINDER (NO TRIM)
RIM TYPE EXIT DEVICE


TEMPLATE NUMBER
T-1022 ⑤



NOT TO SCALE

NOTES:

1. SEE MASTER SHEET #T-0001 FOR SUGGESTED DOOR REINFORCEMENT.

REV. No. 2	REVISION: hole dia	DATE: 7-2-14
	<p>CYLINDER PREP (NO TRIM) WHEN USED WITH 8000 SERIES DEVICE</p>	<p>TEMPLATE NUMBER T-2062 ②</p>