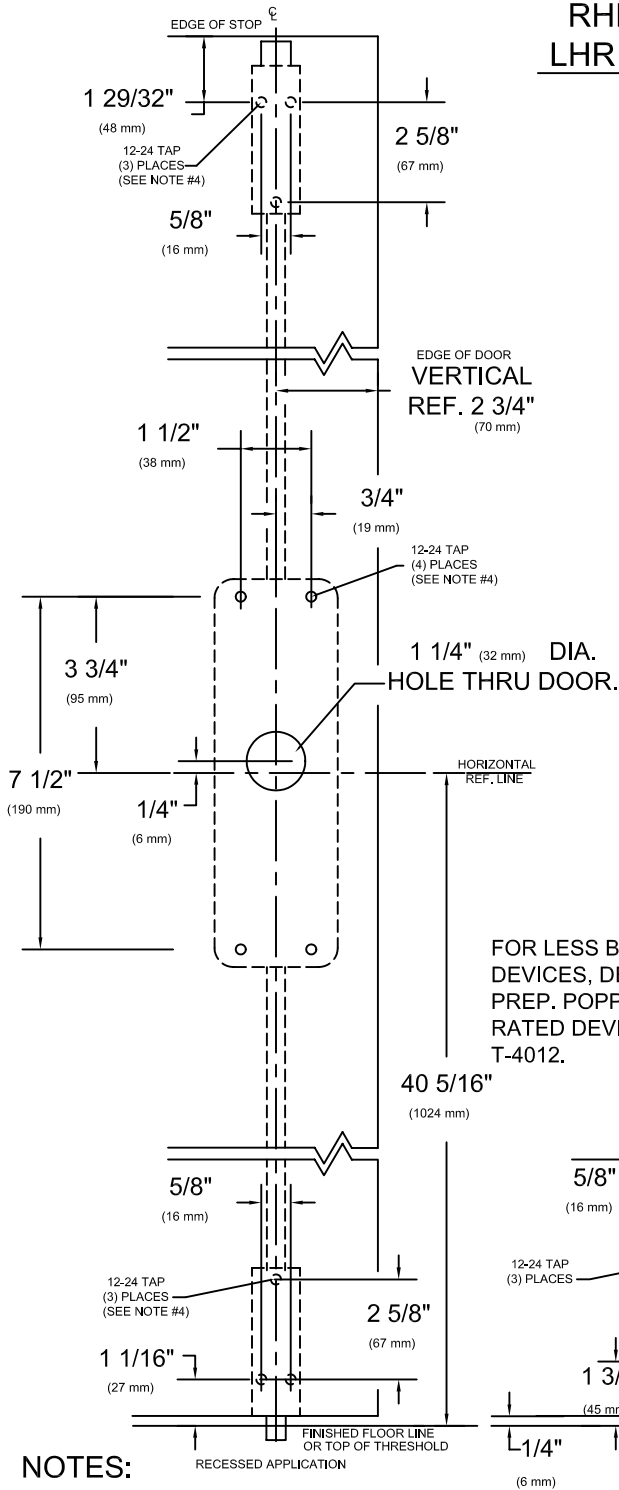


**RHR SHOWN
LHR OPPOSITE**



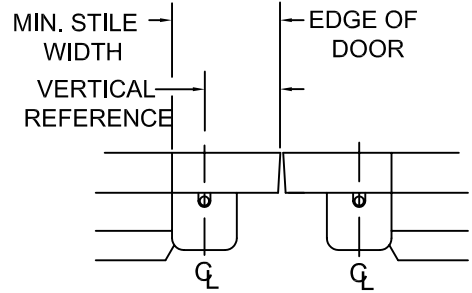
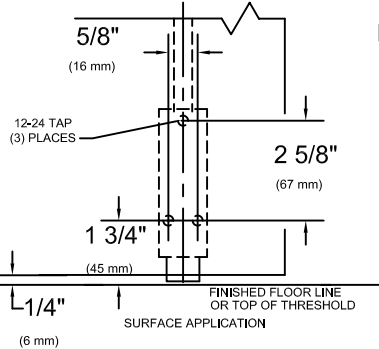
EDGE OF DOOR
VERTICAL
REF. 2 3/4"
(70 mm)

1 1/4" (32 mm) DIA.
HOLE THRU DOOR.

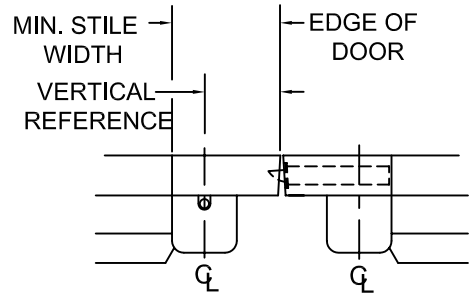
HORIZONTAL
REF. LINE

FOR LESS BOTTOM ROD (LBR)
DEVICES, DELETE BOTTOM LATCH
PREP. POPPER REQUIRED ON FIRE
RATED DEVICE, SEE TEMPLATE
T-4012.

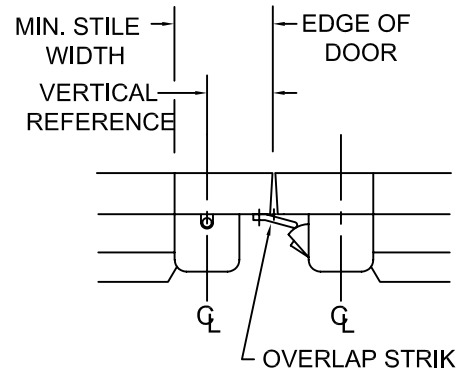
40 5/16"
(1024 mm)



VERTICAL REFERENCE	MINIMUM STILE WIDTH
2 3/4" (70 mm)	4 3/16" (106 mm)



VERTICAL REFERENCE	MINIMUM STILE WIDTH
2 3/4" (70 mm)	4 3/16" (106 mm)



STRIKE	VERT. REF.	MIN. STILE
320	2 1/2" (64 mm)	4" (102 mm)

NOTES:

1. SEE MASTER SHEET #T-0001 FOR SUGGESTED DOOR REINFORCEMENT.
2. SEE ADDITIONAL TRIM TEMPLATE WHEN REQUIRED.
3. DEVICE WILL COVER STANDARD SDI CUTOUT.
4. FOR SEX NUTS USE 3/8" DRILL.

REV. No. 2

REVISION: ADD NOTE

DATE: 10-20-00

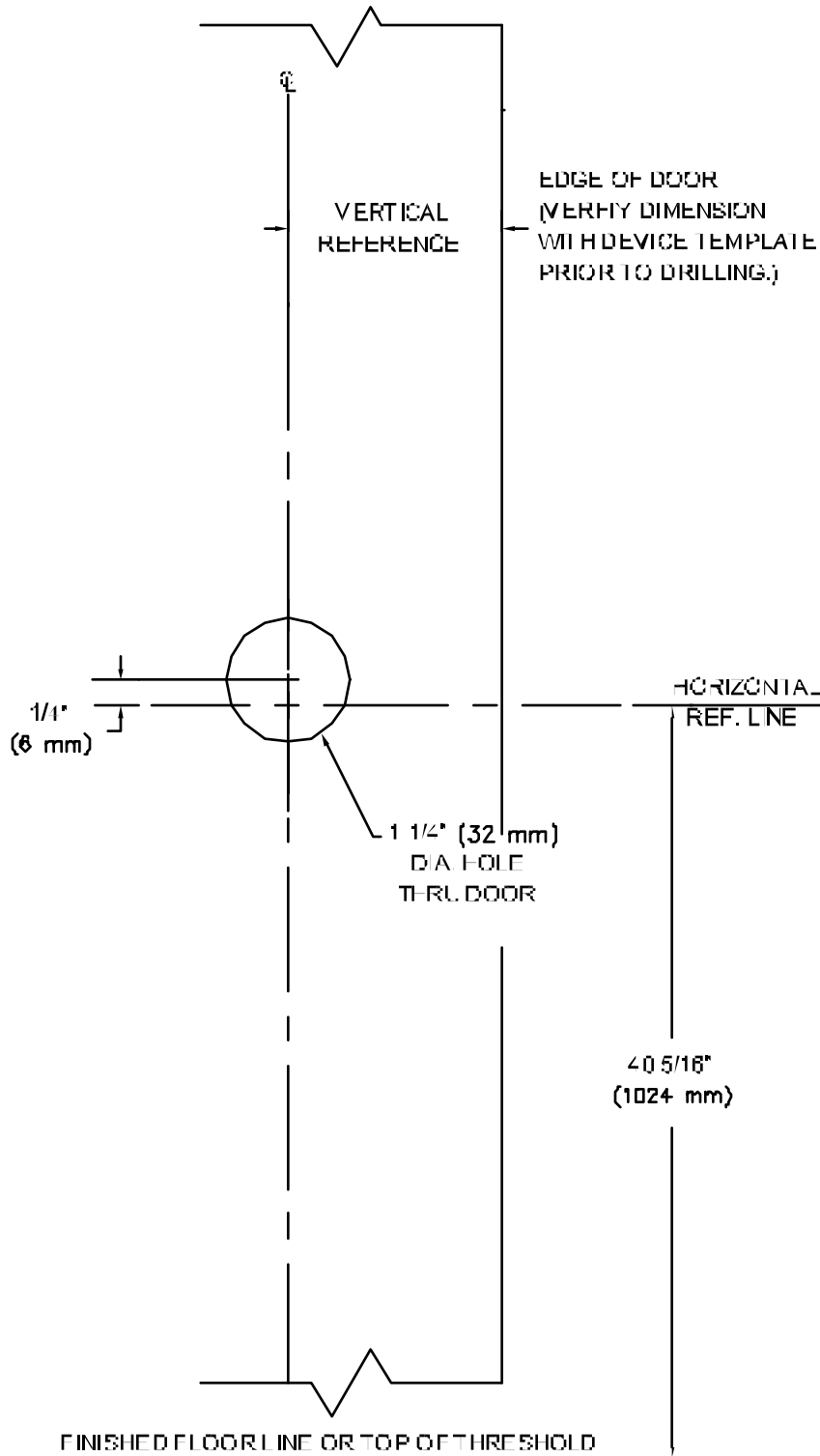


9400 & F9400 x CYLINDER (NO TRIM)
VERTICAL ROD EXIT DEVICE

TEMPLATE NUMBER

T-9403 ②

RHR SHOWN
LHR OPPOSITE



NOTES:

FINISHED FLOORLINE OR TOP OF THRESHOLD

1. SEE MASTER SHEET #T-0001 FOR SUGGESTED DOOR REINFORCEMENT.
2. SEE ADDITIONAL DEVICE TEMPLATE WHEN REQUIRED.

REV. No. 1

REVISION: ADD NEW BORDER

DATE: 4-25-00



CYLINDER ONLY (NO TRIM)

TEMPLATE NUMBER
T-9002 ①