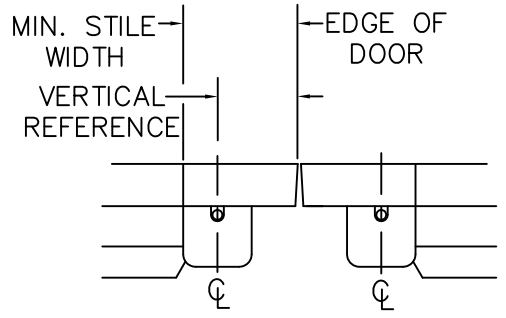
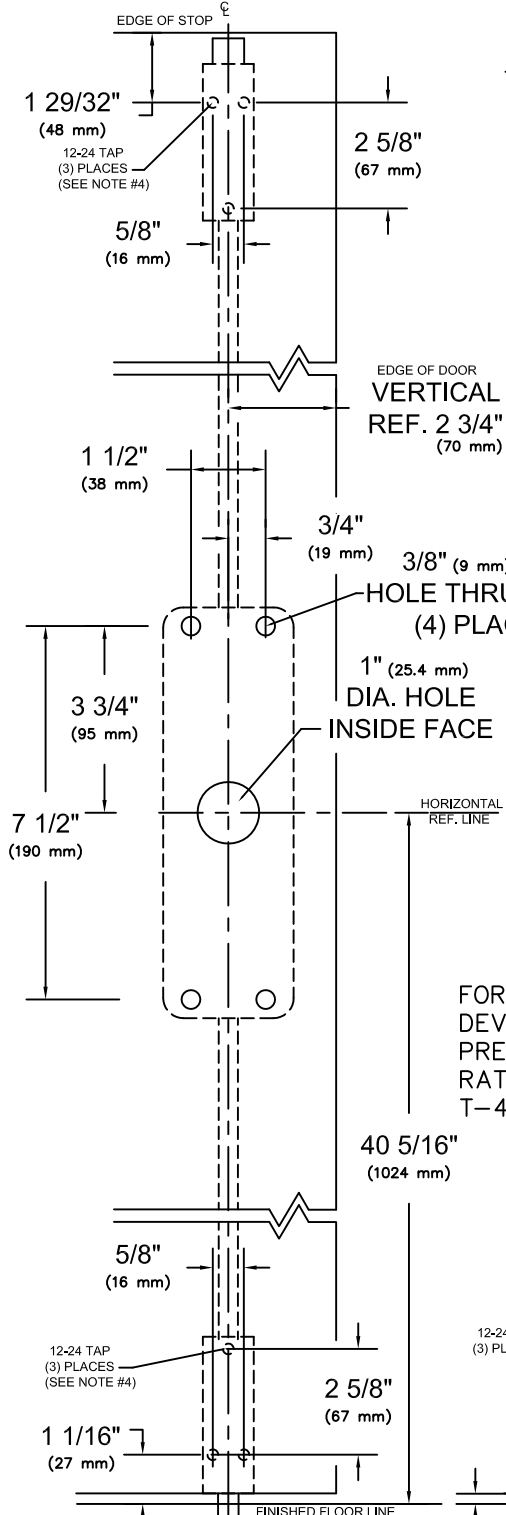
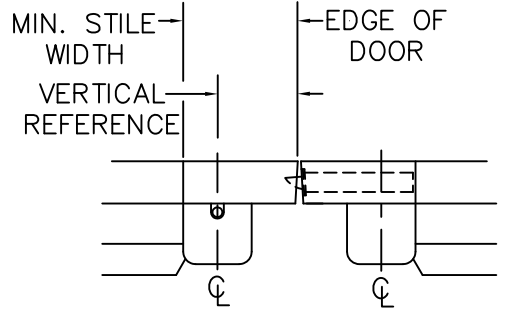


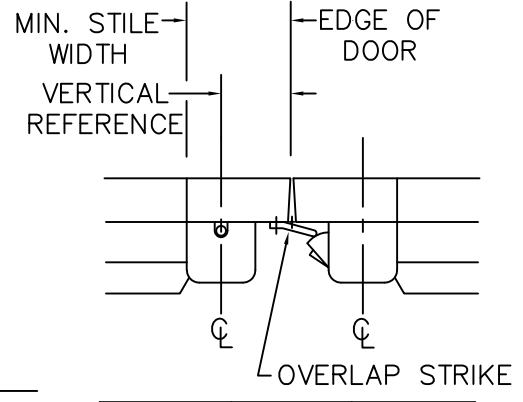
RHR SHOWN  
LHR OPPOSITE



VERTICAL REFERENCE	MINIMUM STILE WIDTH
2 3/4" (70 mm)	4 3/16" (106 mm)



VERTICAL REFERENCE	MINIMUM STILE WIDTH
2 3/4" (70 mm)	4 3/16" (106 mm)



STRIKE	VERT. REF.	MIN. STILE
320	2 1/2" (64 mm)	4" (102 mm)

FOR LESS BOTTOM ROD (LBR) DEVICES, DELETE BOTTOM LATCH PREP. POPPER REQUIRED ON FIRE RATED DEVICE, SEE TEMPLATE T-4012.

NOTES:

1. SEE MASTER SHEET #T-0001 FOR SUGGESTED DOOR REINFORCEMENT.
2. SEE ADDITIONAL TRIM TEMPLATE WHEN REQUIRED.
3. DEVICE WILL COVER STANDARD SDI CUTOUT.
4. FOR SEX NUTS USE 3/8" DRILL

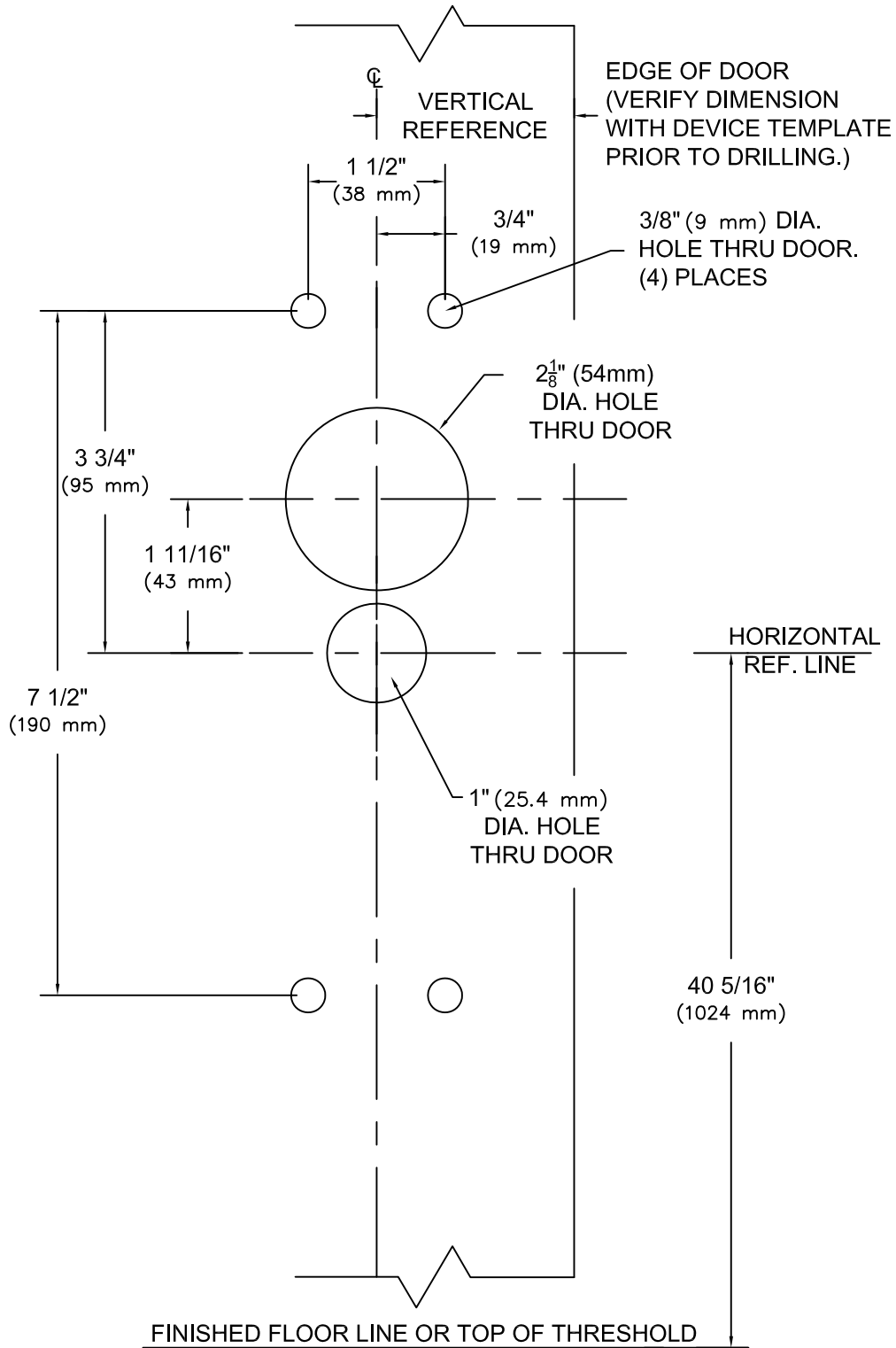
REV. No. 4      REVISION: Lever Style Notes      DATE: 1-28-2014



9400 & F9400 x Y\*08 /08C, YR09 /09C  
 Note; \* Denotes all Lever Design Styles  
 VERTICAL ROD EXIT DEVICE

TEMPLATE NUMBER  
 T-9407 ④

RHR SHOWN  
LHR OPPOSITE



NOTES:

FINISHED FLOOR LINE OR TOP OF THRESHOLD

1. SEE MASTER SHEET #T-0001 FOR SUGGESTED DOOR REINFORCEMENT.
2. SEE ADDITIONAL DEVICE TEMPLATE WHEN REQUIRED.
3. TRIM WILL COVER STANDARD SDI CUTOUT.

REV. No. 5

REVISION: Lever Style Notes

DATE: 1-16-2014



Y\*08, Y\*08C, Y\*09, OR Y\*09C Trim

Note; \* Denotes all Lever Design Styles

TEMPLATE NUMBER

T-9007 ⑤