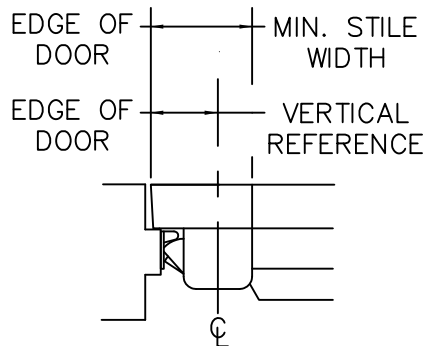
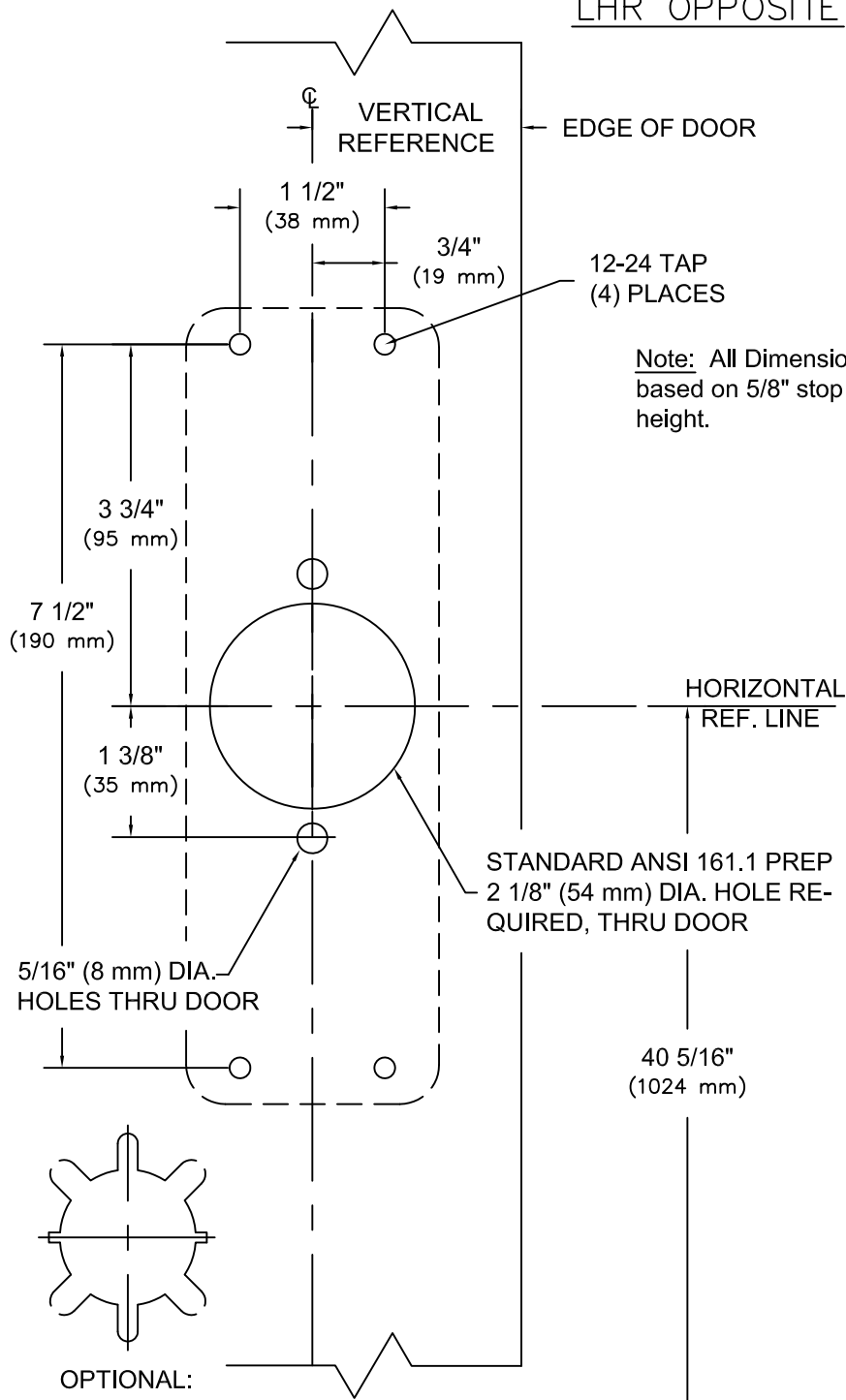
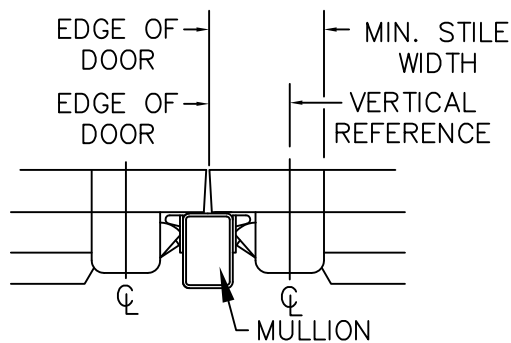


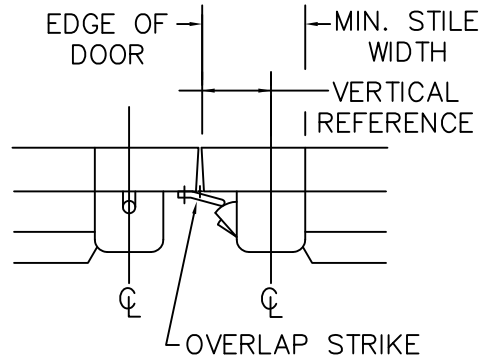
RHR SHOWN
LHR OPPOSITE



STOP	STRIKE	VERT. REF.	MIN. STILE
BLADE (cutout)	430	2 1/16" (52 mm)	3 1/2" (89 mm)
	486	2 13/16" (72 mm)	4 1/4" (108 mm)
	463		



MULLION	STRIKE	VERT. REF.	MIN. STILE
1310	463	2 3/4" (70 mm)	4 3/16" (106 mm)
	486		
1330	ALL	3" (76 mm)	4 7/16" (113 mm)
F1300	ALL	3 1/4" (83 mm)	4 9/16" (116 mm)
1340KR	ALL	3 1/4" (83 mm)	4 9/16" (116 mm)
F1340KR	ALL		



STRIKE	VERT. REF.	MIN. STILE
320	2 1/2" (64 mm)	4" (102 mm)

OPTIONAL:
SDI CUTOUT

NOTES: FINISHED FLOOR LINE OR TOP OF THRESHOLD

1. SEE MASTER SHEET #T-0001 FOR SUGGESTED DOOR REINFORCEMENT.
2. SEE ADDITIONAL TRIM TEMPLATE WHEN REQUIRED.
3. DEVICE WILL COVER STANDARD SDI CUTOUT.

REV. No. 6

REVISION: Lever Style Notes

DATE: 1-28-2014

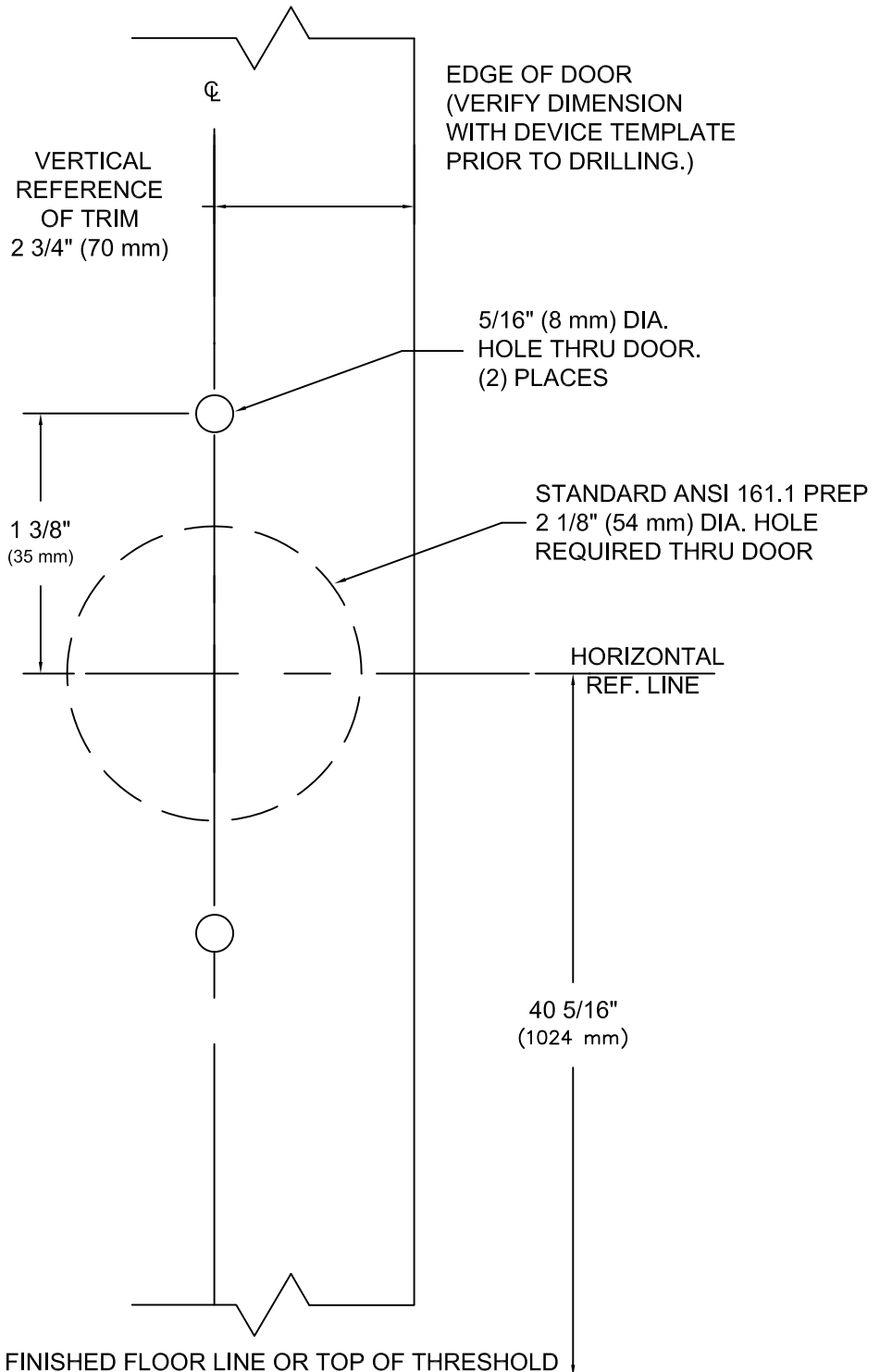


9300 & F9300 RIM TYPE EXIT DEVICE WHEN USED WITH 9C03 / 03IC, 9K03 / 03IC, 9R03 / 03IC, 9C08 / 08IC, 9K08 / 08IC, 9R08 / 08IC, 9C23, 9K23, 9R23

TEMPLATE NUMBER

T-9309 ©

RHR SHOWN
LHR OPPOSITE




NOT TO SCALE

NOTES:

FINISHED FLOOR LINE OR TOP OF THRESHOLD

1. SEE MASTER SHEET #T-0001 FOR SUGGESTED DOOR REINFORCEMENT.
2. SEE ADDITIONAL DEVICE TEMPLATE WHEN REQUIRED.
3. TRIM WILL COVER STANDARD SDI CUTOUT.

REV. No. 1	REVISION: ADD NEW BORDER	DATE: 11-05-14
	<p>9C03, 9R03, 9K03, 9C03IC, 9R03IC, 9K03IC, 9C08 9R08, 9K08, 9C08IC, 9R08IC, 9K08IC KEY IN LEVER TRIM 9C23, 9R23, 9K23 LEVER TRIM</p>	<p>TEMPLATE NUMBER T-9013①</p>