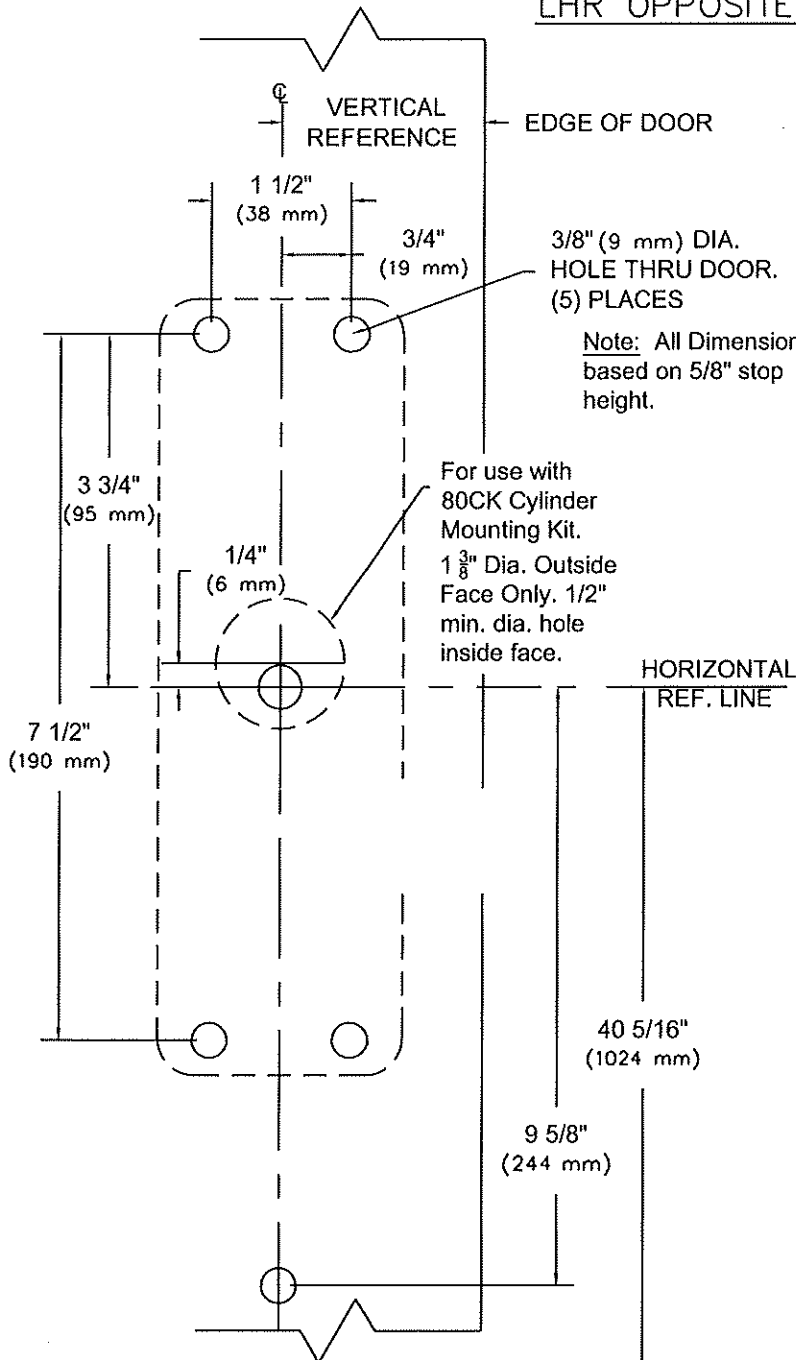


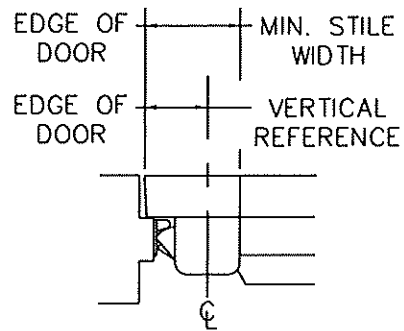
RHR SHOWN  
LHR OPPOSITE



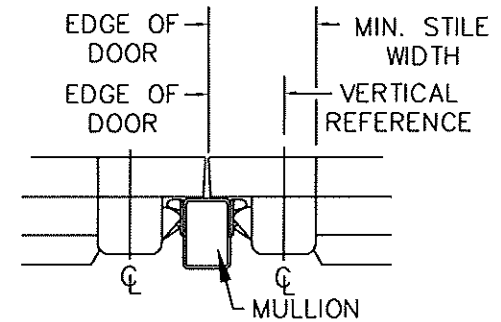
3/8" (9 mm) DIA.  
HOLE THRU DOOR.  
(5) PLACES

Note: All Dimensions  
based on 5/8" stop  
height.

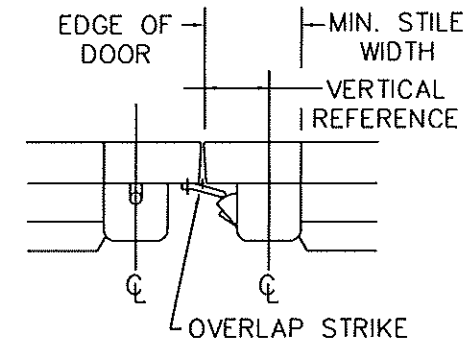
For use with  
80CK Cylinder  
Mounting Kit.  
1 3/8" Dia. Outside  
Face Only. 1/2"  
min. dia. hole  
inside face.



STOP	STRIKE	VERT. REF.	MIN. STILE
BLADE (cutout)	430	2 1/16" (52 mm)	3 1/2" (89 mm)
	486	2 13/16" (72 mm)	4 1/4" (108 mm)
	463		



MULLION	STRIKE	VERT. REF.	MIN. STILE
1310	463 486	2 3/4" (70 mm)	4 3/16" (106 mm)
1330	ALL	3" (76 mm)	4 7/16" (113 mm)
F1300	ALL	3 1/4" (83 mm)	4 9/16" (116 mm)
1340KR F1340KR	ALL	3 1/4" (83 mm)	4 9/16" (116 mm)



STRIKE	VERT. REF.	MIN. STILE
320	2 1/2" (64 mm)	4" (102 mm)

NOTES: FINISHED FLOOR LINE OR TOP OF THRESHOLD

1. SEE MASTER SHEET #T-0001 FOR SUGGESTED DOOR REINFORCEMENT.
2. SEE ADDITIONAL TRIM TEMPLATE WHEN REQUIRED.
3. DEVICE WILL COVER STANDARD SDI CUTOUT.

REV. No. 9

REVISION: Update dimension

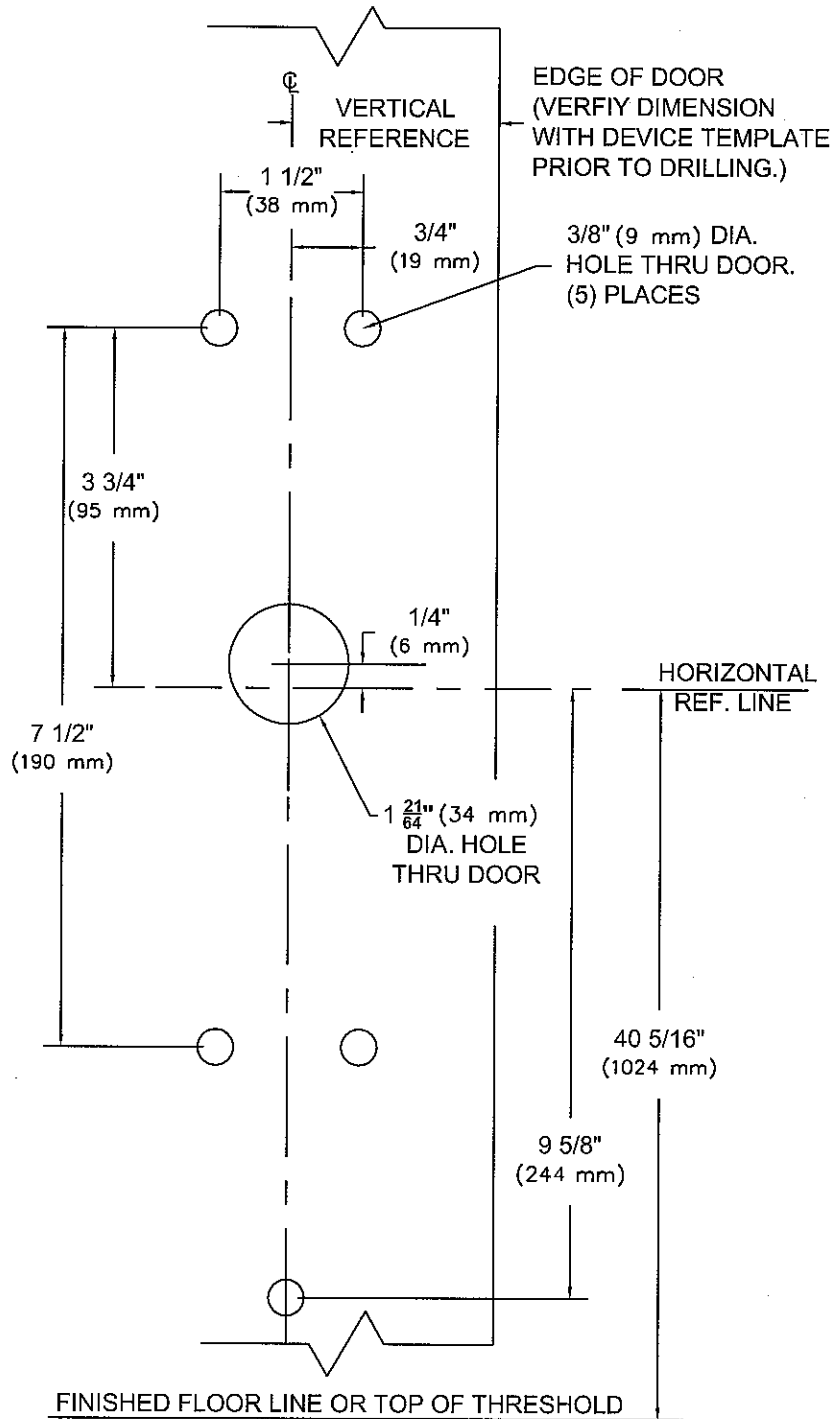
DATE: 10-10-11



9300 & F9300 x V003, V103 or V303  
9300 & F9300 x NPT03, PTT03 or PRT03  
RIM TYPE EXIT DEVICE

TEMPLATE NUMBER  
T-9305 ©

RHR SHOWN  
LHR OPPOSITE



NOTES:

1. SEE MASTER SHEET #T-0001 FOR SUGGESTED DOOR REINFORCEMENT.
2. SEE ADDITIONAL DEVICE TEMPLATE WHEN REQUIRED.
3. "T" STYLE TRIM WILL COVER STANDARD SDI CUTOUT, REQUIRES 80CK KIT.

REV. No. 6

REVISION: Hole Dia.

DATE: 5-15-06



V003, V103, V303  
NPT03, PTT03, PRT03  
TRIM

TEMPLATE NUMBER  
T-9004 ©