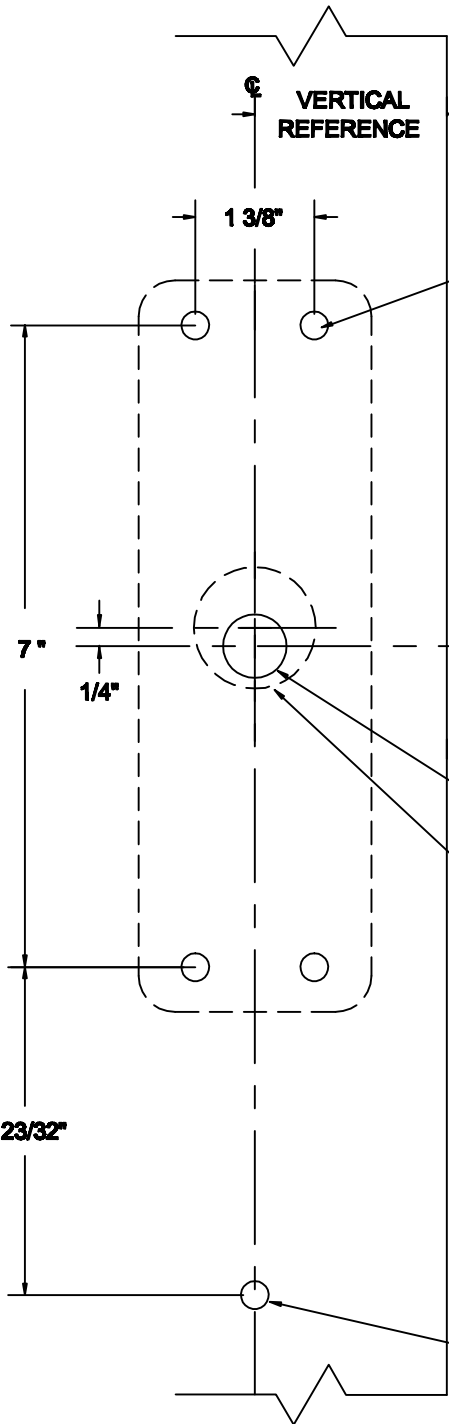


RHR SHOWN
LHR OPPOSITE



SEE DETAILS
TO RIGHT

EXISTING
VON DUPRIN
HOLE LOCATION
(5) PLACES
DRILL (5) 3/8"
DIA. HOLE

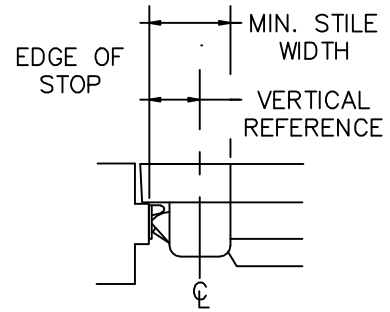
**IMPORTANT NOTE:
SHIMS REQUIRED
UNDER STRIKE FOR
PROPER BOLT
ENGAGEMENT WHEN
USING VON DUPRIN
PREP.**

HORIZONTAL
REF. LINE

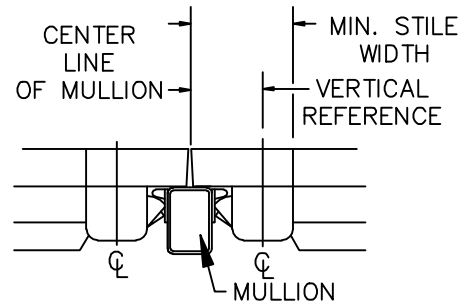
EXISTING
VON DUPRIN
HOLE LOCATION
OPTIONAL:
FOR DORMA
CYLINDER &
80CK CYLINDER
MOUNTING KIT
1 3/8" DIA. INSIDE
FACE ONLY
1 1/4" DIA. HOLE
OUTSIDE FACE

FOR TRIMS SHOWN
BELOW
1 3/8" DIA. HOLE
THRU DOOR.

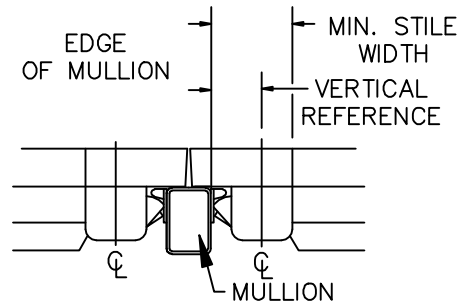
**IMPORTANT NOTE:
DO NOT DRILL THIS
HOLE FOR CYLINDER
ONLY OR NO TRIM
DOOR PREPS.**



STOP	STRIKE	VERT. REF.	MIN. STILE
	486 463	2 3/8"	4 1/4"



VON DUPRIN MULLION	STRIKE	VERT. REF.	MIN. STILE
4954 9954	463 486	3 3/8"	4 5/8"



DORMA MULLION	STRIKE	VERT. REF.	MIN. STILE
1330	ALL	2 1/4"	4 1/4"
F1300	ALL	2 1/4"	4 1/2"
1340KR F1340KR	ALL	2 1/4"	4 1/2"

SEE ADDITIONAL TRIM TEMPLATE WHEN REQUIRED.

REV. No. 0

REVISION:

DATE: 8-1-09



9300 & F9300 x CYLINDER ONLY
9300 & F9300 x VO03R1, V103R1, OR V303R1
9300 & F9300 x NPT03R1, PTT03R1 OR PRT03R1
WITH VON DUPRIN 98/99 PREP

TEMPLATE NUMBER
T-9303VD

