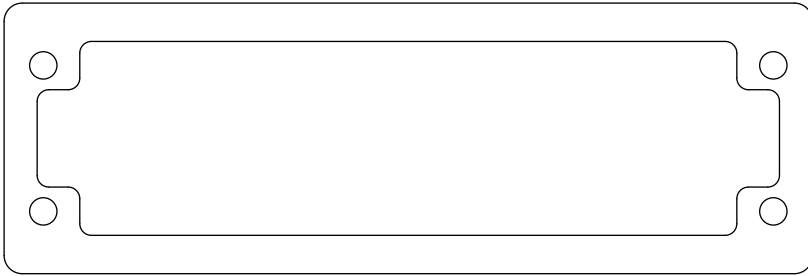
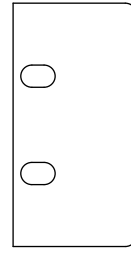




GK9000 SHIM KIT



(2) 9000GK CHASSIS SHIMS



(2) GK9000E
ENDCAP SHIMS

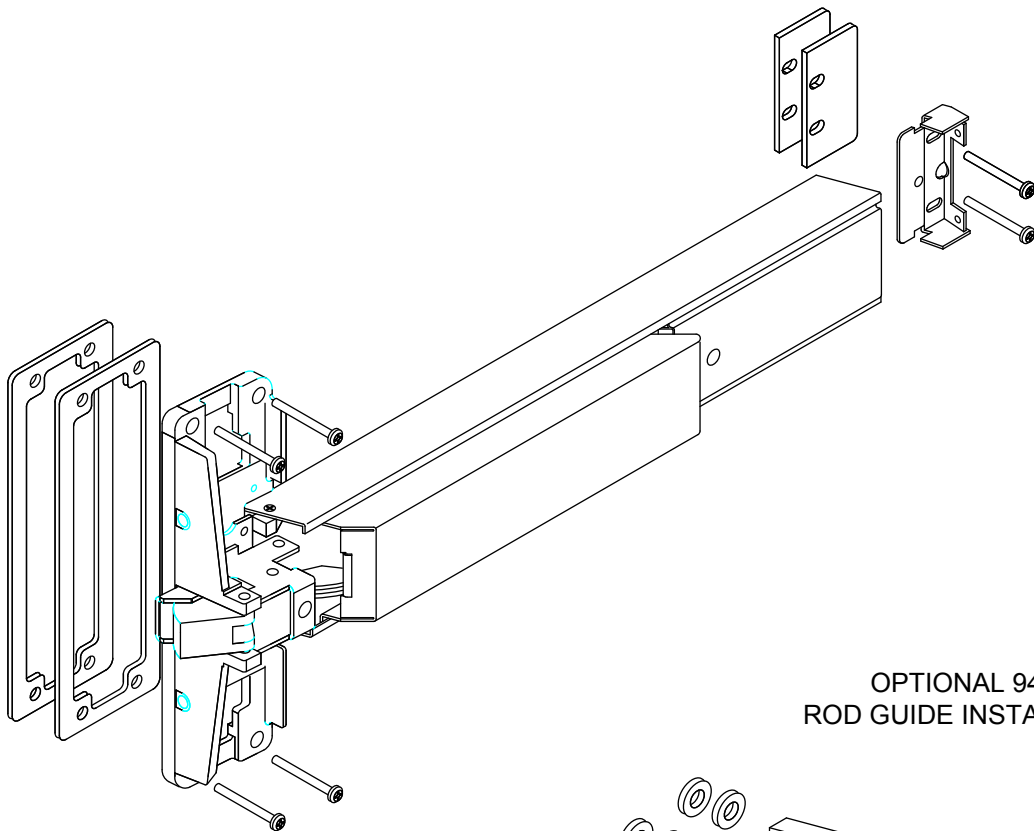


(6) 12-24 x 2"
P.H.M.S.



(16)
FLAT WASHERS

The GK9000 Shim Kit allows the installer to make adjustments for glass lite kits etc. that may cause interference with the normal installation of the hardware. The kit includes shims and washer which allows the hardware to be raise an 1/8" - 1/4" off
Shims are can be used on all 9000 series devices. The additional flat washers are included for the rod guides of the 9400 series. See typical installation below.



OPTIONAL 9400
ROD GUIDE INSTALLATION

