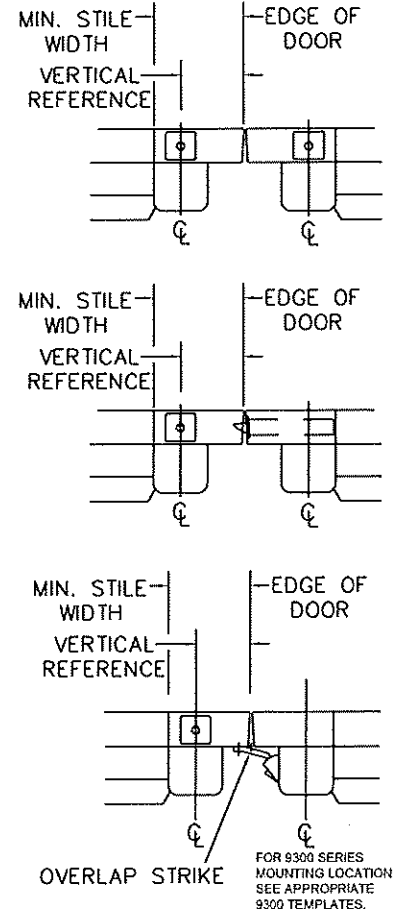
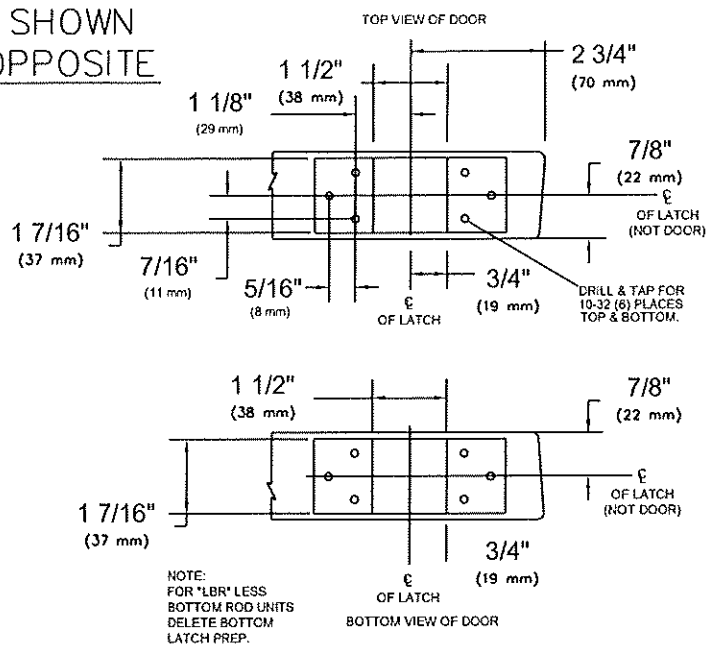
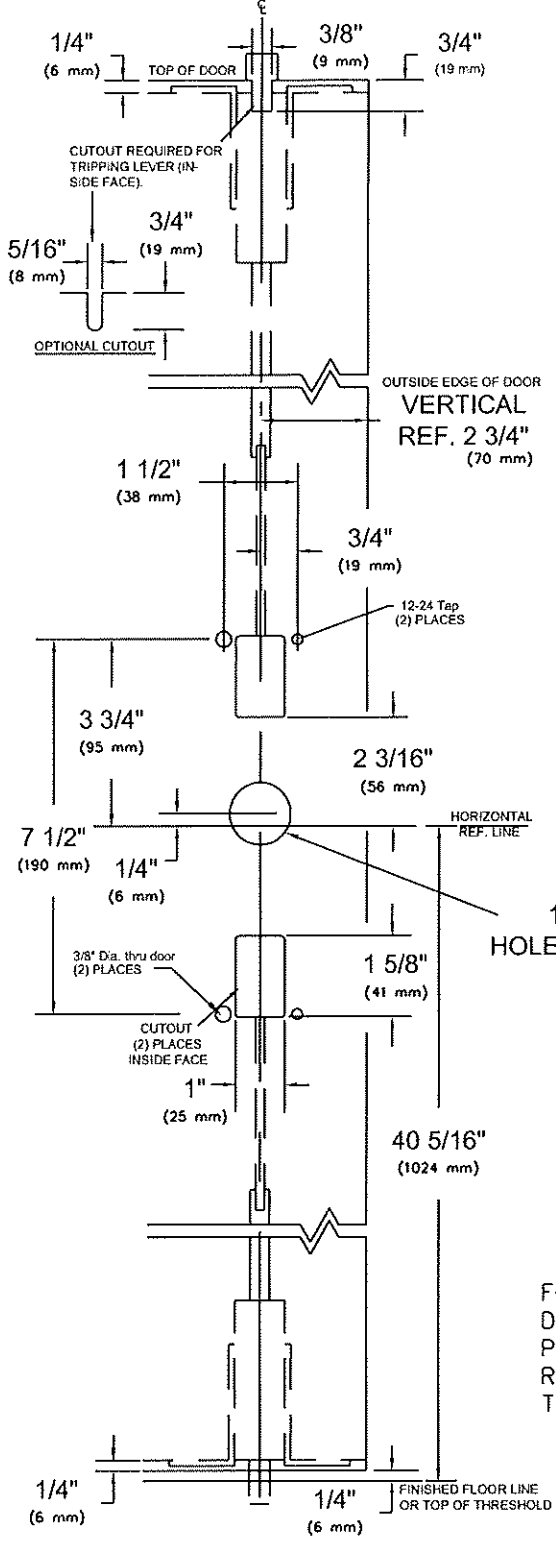



RHR SHOWN  
LHR OPPOSITE



FOR LESS BOTTOM ROD (LBR) DEVICES, DELETE BOTTOM LATCH PREP. POPPER REQUIRED ON FIRE RATED DEVICE, SEE TEMPLATE T-4012.

- NOTES:
1. SEE ADDITIONAL TRIM TEMPLATE WHEN REQUIRED.
  2. DEVICE WILL COVER STANDARD SDI CUTOUT.
  3. FOR SEX NUTS USE 3/8\"/>

VERTICAL REFERENCE	MINIMUM STILE WIDTH
2 3/4\"/>	

REV. No. 0	REVISION:	DATE: 10-10-17
	9100 & F9100 x OP03 TRIM VERTICAL ROD EXIT DEVICE	TEMPLATE NUMBER <b>T-9138</b>