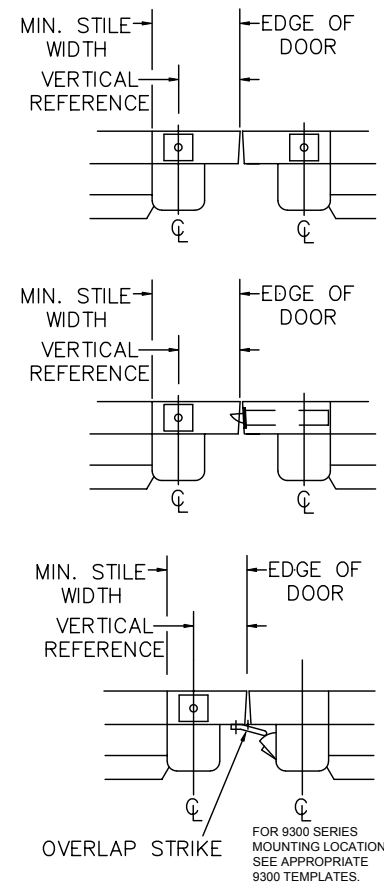
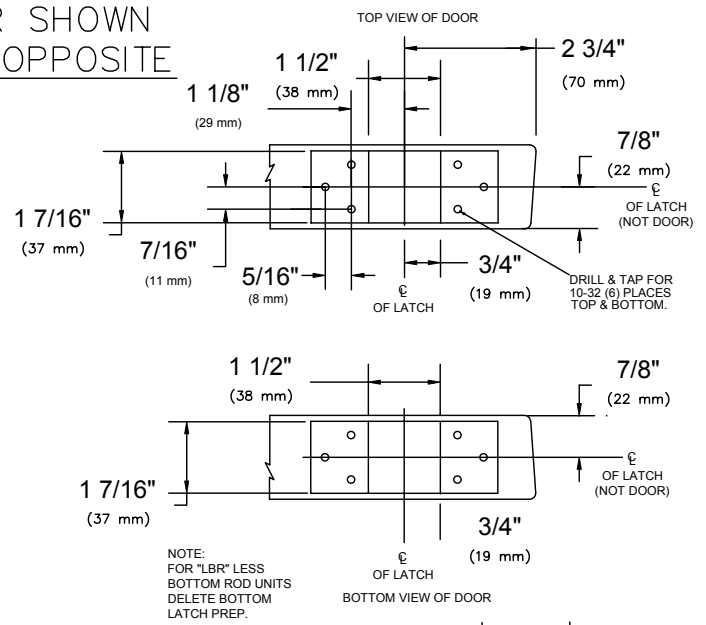
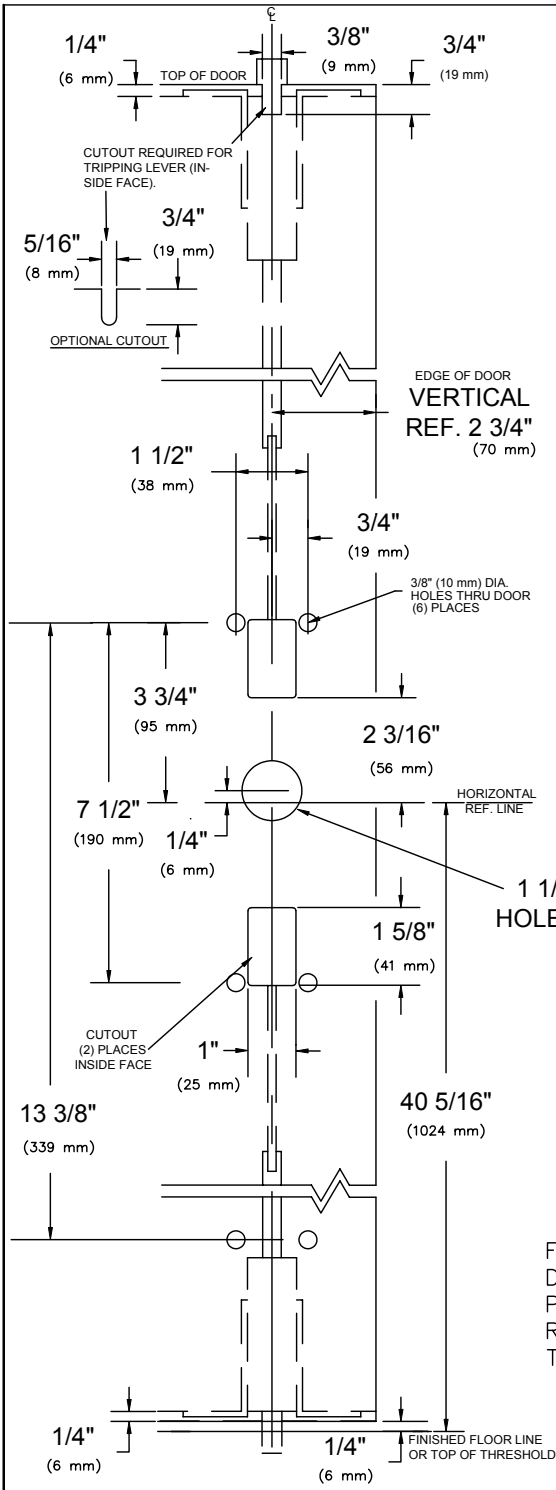


RHR SHOWN
LHR OPPOSITE




FOR LESS BOTTOM ROD (LBR) DEVICES, DELETE BOTTOM LATCH PREP. POPPER REQUIRED ON FIRE RATED DEVICE, SEE TEMPLATE T-4012.

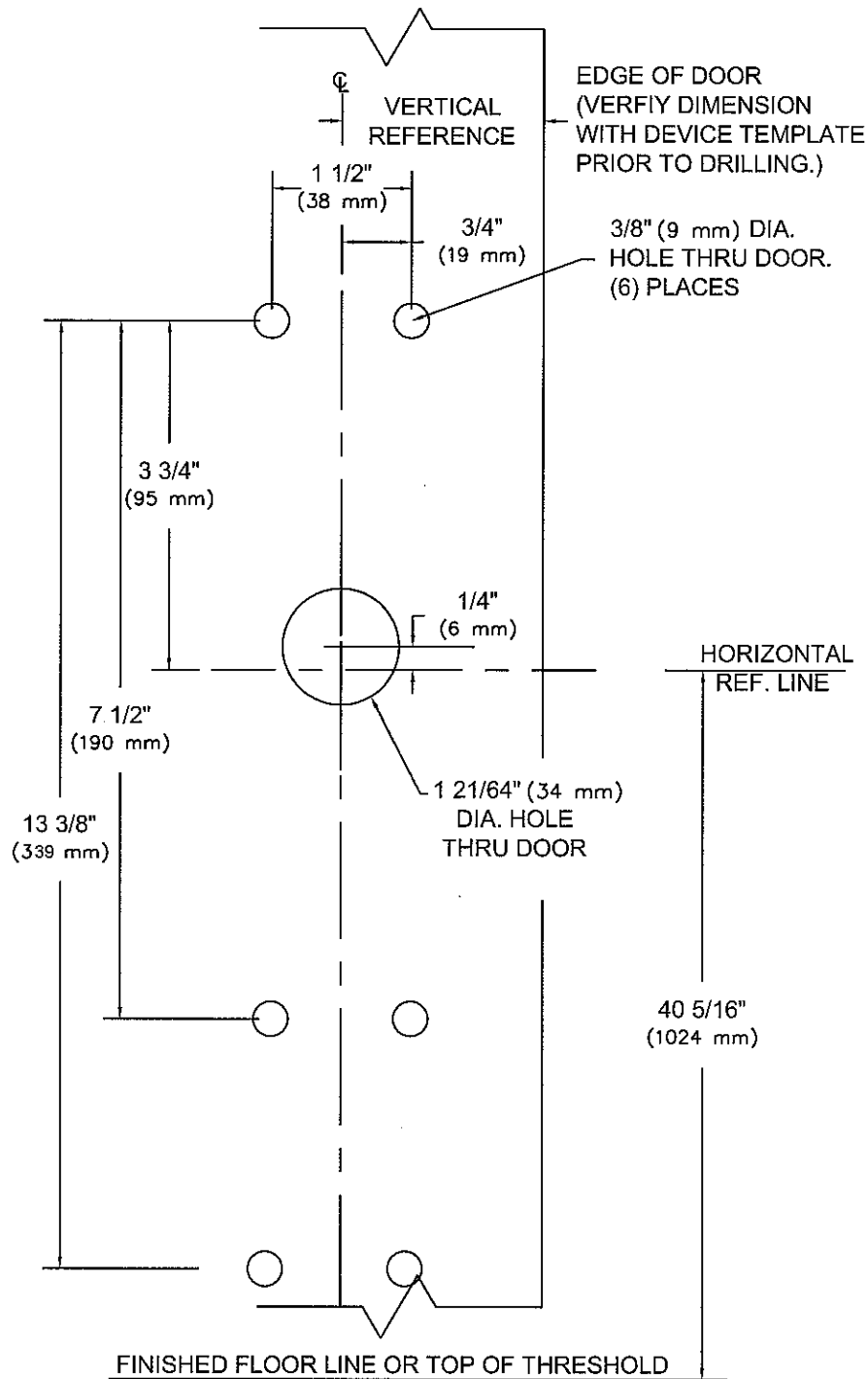
NOTES:

1. SEE ADDITIONAL TRIM TEMPLATE WHEN REQUIRED.
2. DEVICE WILL COVER STANDARD SDI CUTOUT.
3. FOR SEX NUTS USE 3/8" DRILL.

VERTICAL REFERENCE	MINIMUM STILE WIDTH
2 3/4" (70 mm)	4 3/16" (106 mm)


REV. No. 6	REVISION: Trim Designation	DATE: 12-31-03
	9100 & F9100 x V103CV or V303CV 9100 & F9100 x PTT03CV or PRT03CV VERTICAL ROD EXIT DEVICE	TEMPLATE NUMBER T-9105 ⑥

RHR SHOWN
LHR OPPOSITE



NOTES:

1. SEE MASTER SHEET #T-0001 FOR SUGGESTED DOOR REINFORCEMENT.
2. SEE ADDITIONAL DEVICE TEMPLATE WHEN REQUIRED.
3. "T" STYLE TRIM WILL COVER STANDARD SDI CUTOUT, REQUIRES 80CK KIT.

REV. No. 7	REVISION: Hole Dia.	DATE: 5-15-06
	<p>V103CV, V303CV, PTT03CV & PRT03CV TRIM</p>	<p>TEMPLATE NUMBER T-9015 ⑦</p>