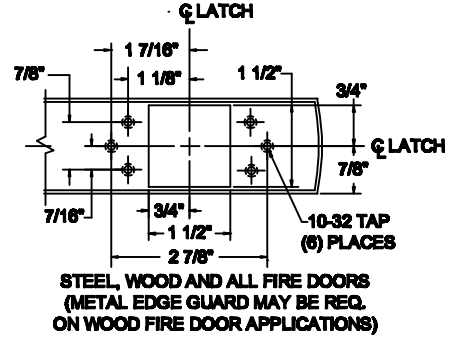
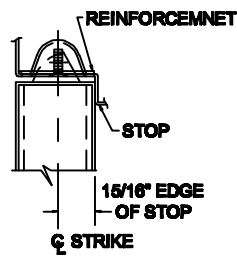
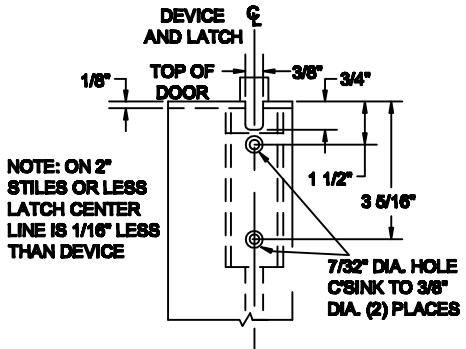


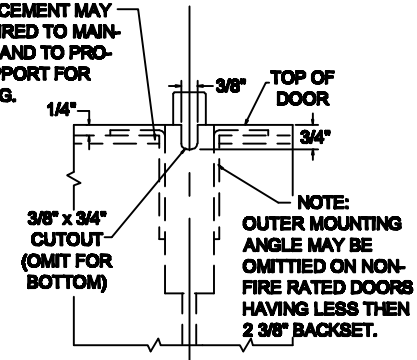
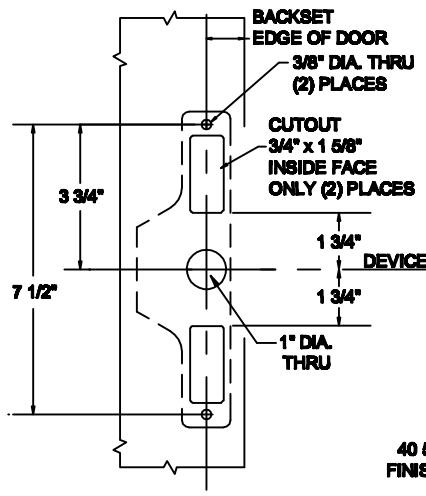
RHR SHOWN
LHR OPPOSITE



NOTE: ON 2" STILES OR LESS LATCH CENTER LINE IS 1/16" LESS THAN DEVICE

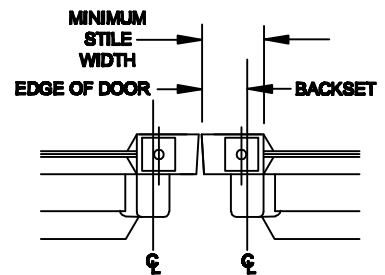
STEEL, WOOD AND ALL FIRE DOORS (METAL EDGE GUARD MAY BE REQ. ON WOOD FIRE DOOR APPLICATIONS)

REINFORCEMENT MAY BE REQUIRED TO MAINTAIN 1/4" AND TO PROVIDE SUPPORT FOR MOUNTING.

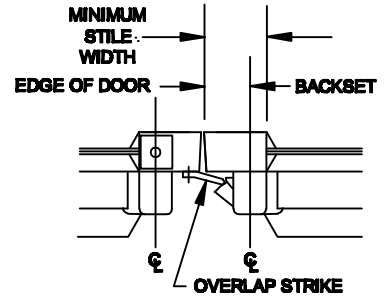


OPTIONAL TOP AND BOTTOM PREP

40 5/16" FROM FINISHED FLOOR OR 39 5/8" FROM BOTTOM OF DOOR USING 1/2" THRESHOLD



	BACKSET	MIN. STILE
MINIMUM	1 1/4"	2 1/16"
F9600	2 3/4"	3 3/16"



	BACKSET	MIN. STILE
	1 5/8"	2 7/16"

NOTES:

SEE MASTER SHEET #T-0001 FOR SUGGESTED DOOR REINFORCEMENT
SEE ADDITIONAL TRIM TEMPLATES FOR OUTSIDE TRIM (WHEN REQUIRED)
SEE T-9600WD AND T-9600WDEG FOR WOOD DOOR PREPS.

REV. No. 0

REVISION:

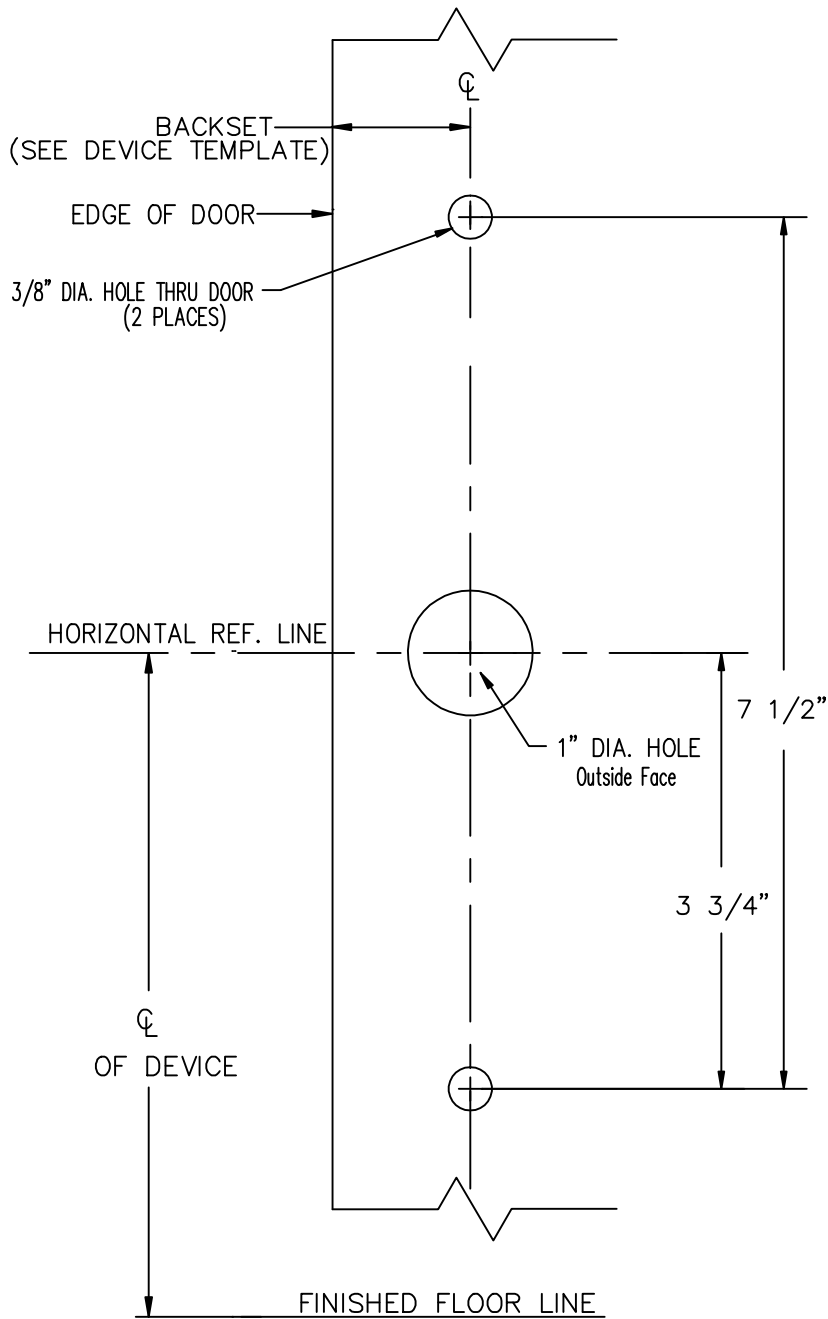
DATE: 2-2-2010



9600 & F9600 x 23 & 25 TRIMS
CONCEALED VERTICAL ROD TYPE
EXIT DEVICE

TEMPLATE NUMBER
T-9604©

RHR SHOWN
LHR OPPOSITE



NOTES:

1. SEE MASTER SHEET #T-0001 FOR SUGGESTED DOOR REINFORCEMENT.

REV. No. 0

REVISION:

DATE: 2-2-2010



ZK23, ZT23, ZR23, ZC23, ZG23, ZP25
TRIM

TEMPLATE NUMBER
T-9033©