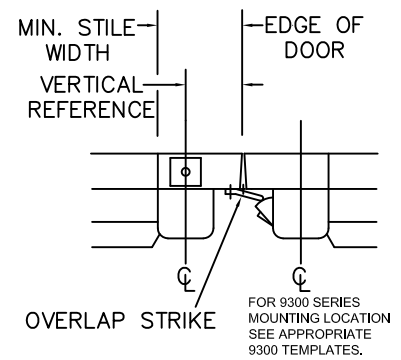
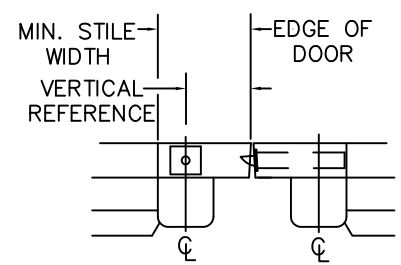
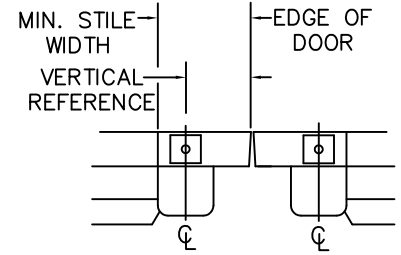
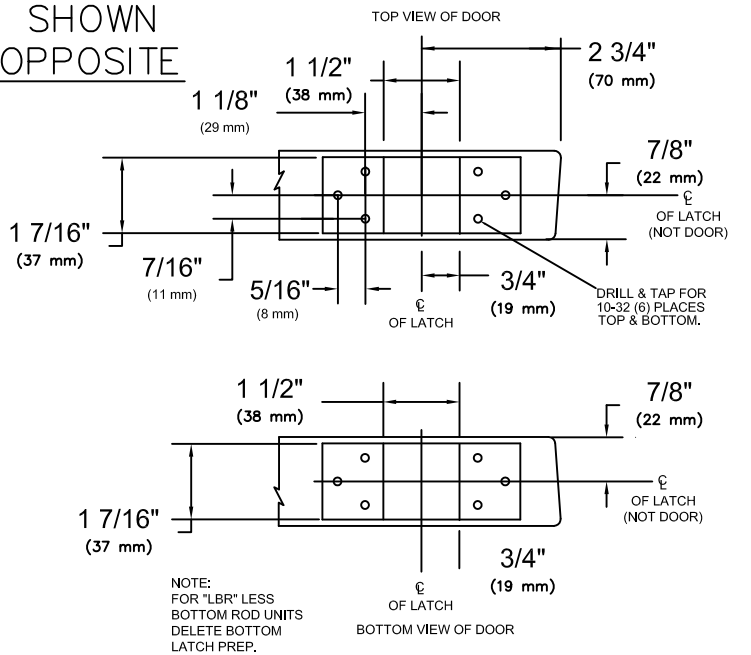
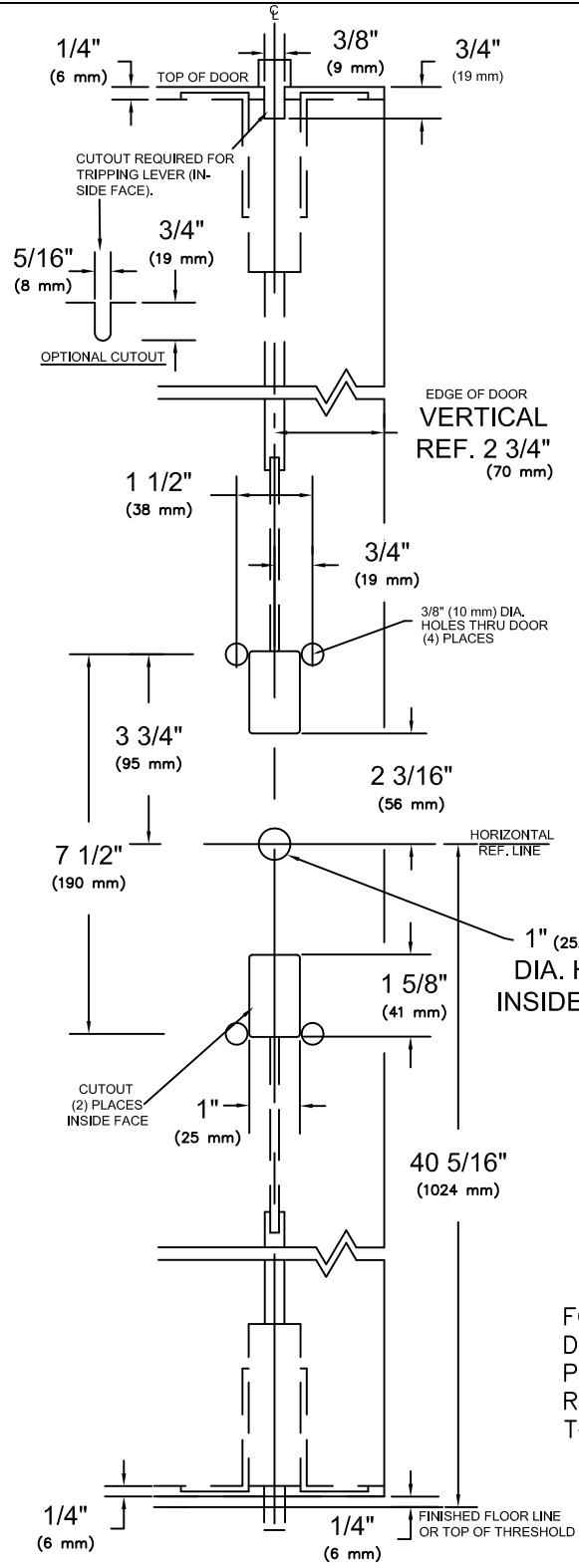


RHR SHOWN
LHR OPPOSITE




FOR LESS BOTTOM ROD (LBR) DEVICES, DELETE BOTTOM LATCH PREP. POPPER REQUIRED ON FIRE RATED DEVICE, SEE TEMPLATE T-4012.

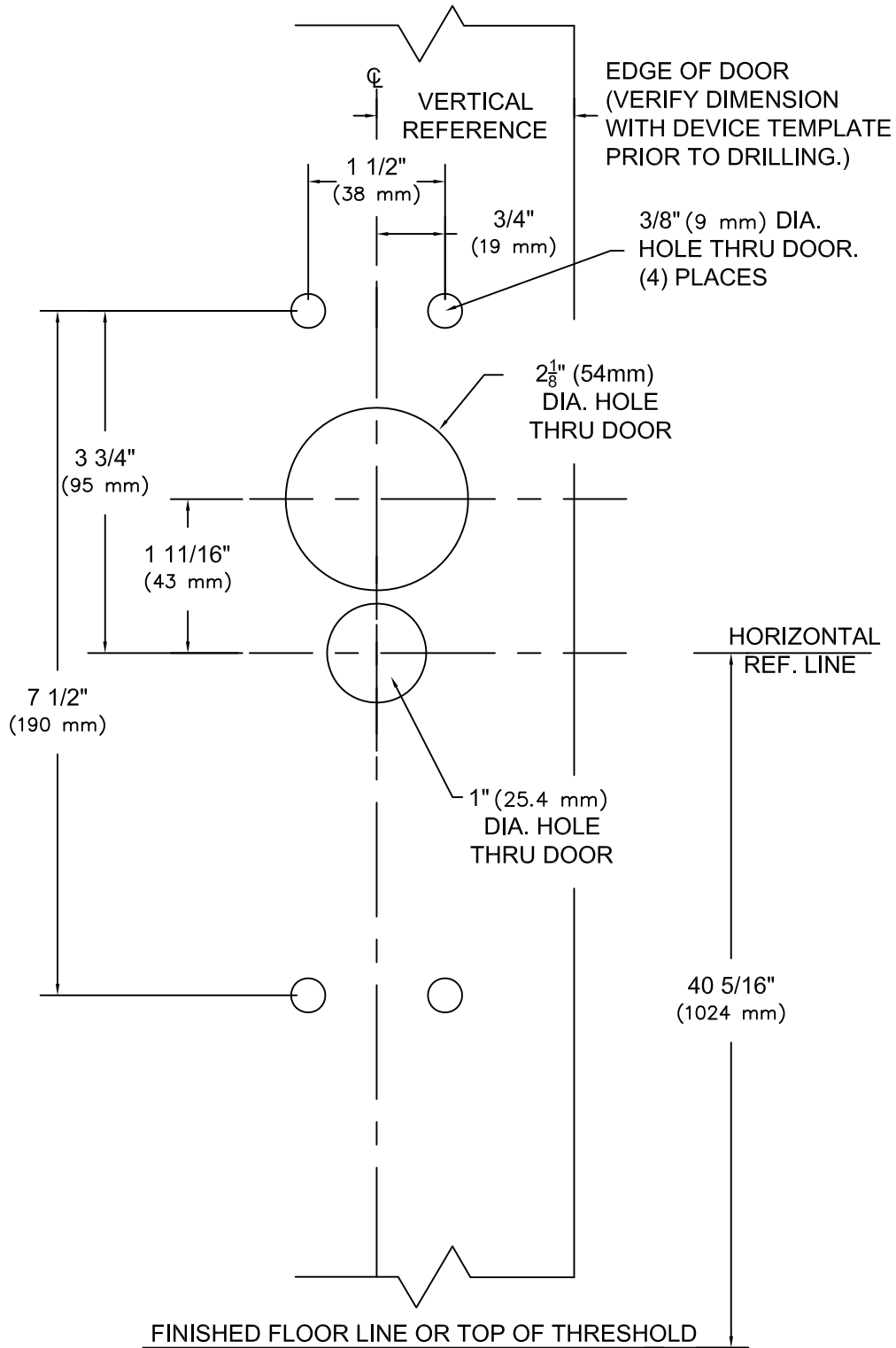
NOTES:

1. SEE ADDITIONAL TRIM TEMPLATE WHEN REQUIRED.
2. DEVICE WILL COVER STANDARD SDI CUTOUT.
3. FOR SEX NUTS USE 3/8" DRILL.

VERTICAL REFERENCE	MINIMUM STILE WIDTH
2 3/4" (70 mm)	4 3/16" (106 mm)

REV. No. 4	REVISION: Lever Style Notes	DATE: 01-27-2014
	9100 & F9100 x Y*08 / 08C, Y*09 / 09C. Y*23	TEMPLATE NUMBER T-9107④
	Note * Denotes all Lever Design Styles VERTICAL ROD EXIT DEVICE	

RHR SHOWN
LHR OPPOSITE



NOTES:

FINISHED FLOOR LINE OR TOP OF THRESHOLD

1. SEE MASTER SHEET #T-0001 FOR SUGGESTED DOOR REINFORCEMENT.
2. SEE ADDITIONAL DEVICE TEMPLATE WHEN REQUIRED.
3. TRIM WILL COVER STANDARD SDI CUTOUT.

REV. No. 5

REVISION: Lever Style Notes

DATE: 1-16-2014



Y*08, Y*08C, Y*09, OR Y*09C Trim

Note; * Denotes all Lever Design Styles

TEMPLATE NUMBER

T-9007 ⑤