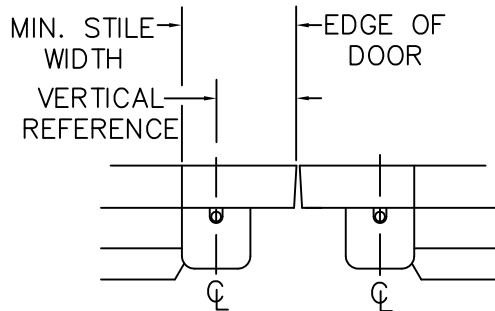
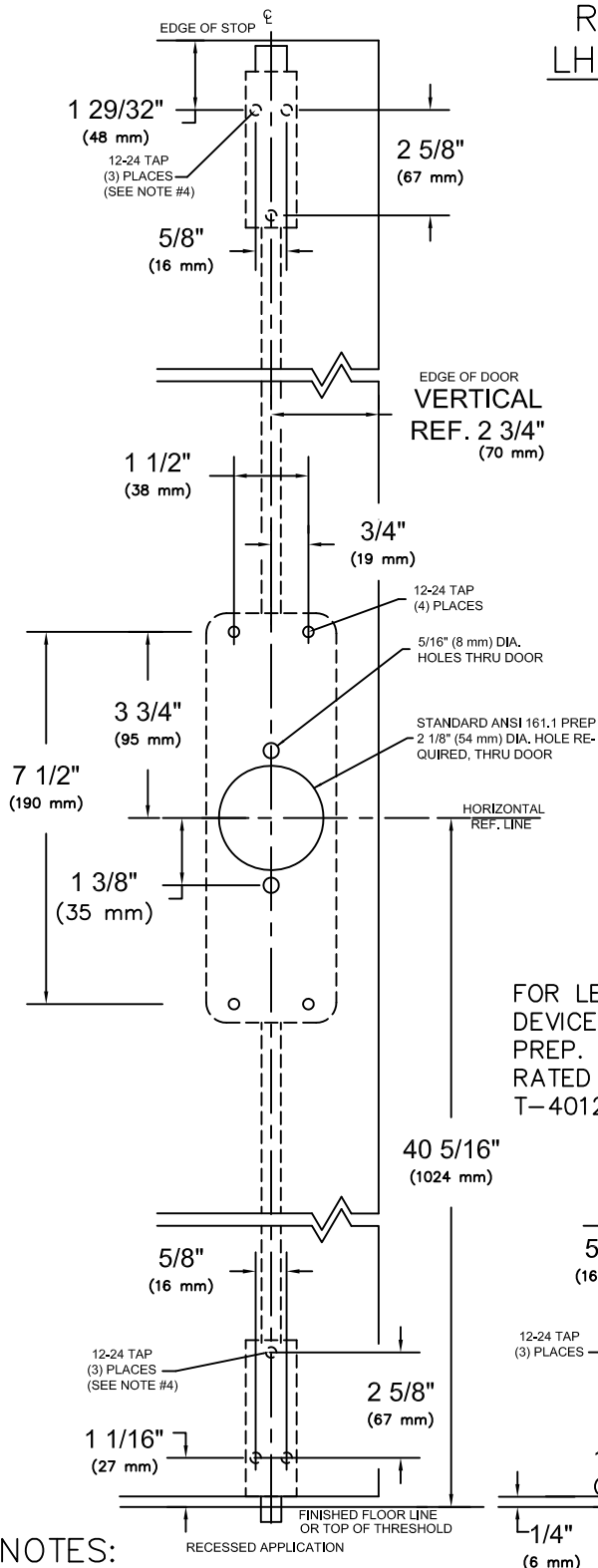
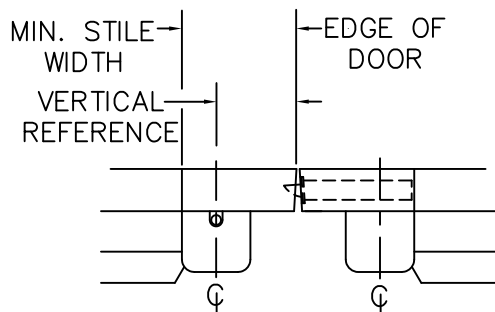


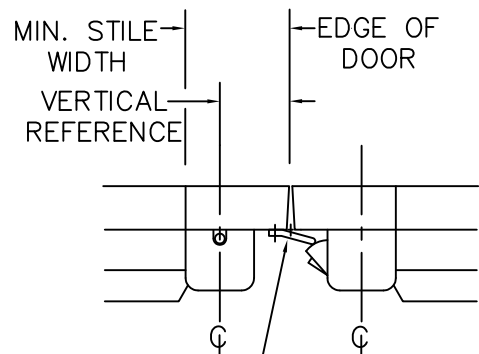
RHR SHOWN  
LHR OPPOSITE



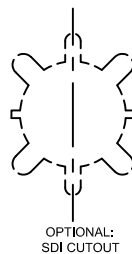
VERTICAL REFERENCE	MINIMUM STILE WIDTH
2 3/4" (70 mm)	4 7/16" (113 mm)



VERTICAL REFERENCE	MINIMUM STILE WIDTH
2 3/4" (70 mm)	4 7/16" (113 mm)



STRIKE	VERT. REF.	MIN. STILE
320	2 1/2" (64 mm)	4 3/16" (106 mm)



FOR LESS BOTTOM ROD (LBR) DEVICES, DELETE BOTTOM LATCH PREP. POPPER REQUIRED ON FIRE RATED DEVICE, SEE TEMPLATE T-4012.

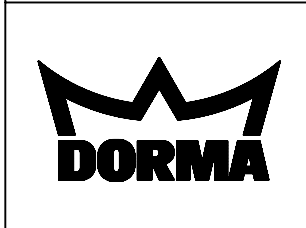
NOTES:

1. SEE MASTER SHEET #T-0001 FOR SUGGESTED DOOR REINFORCEMENT.
2. SEE ADDITIONAL TRIM TEMPLATE WHEN REQUIRED.
3. DEVICE WILL COVER STANDARD SDI CUTOUT.
4. FOR SEX NUTS USE 3/8" DRILL.

REV. No. 3

REVISION: Lever Style Notes

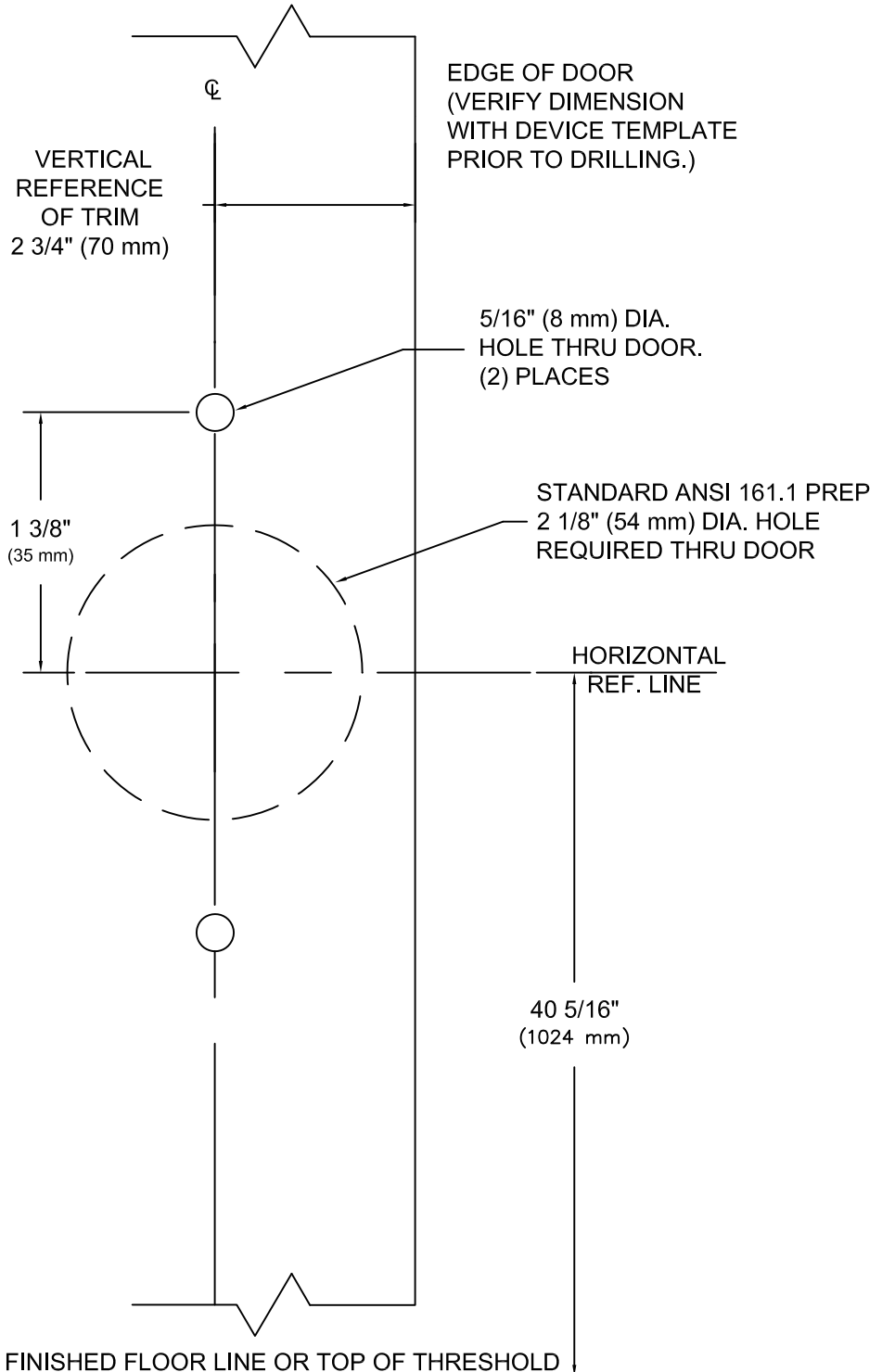
DATE: 1-28-2014



9400 & F9400 SURFACE VERTICAL ROD TYPE EXIT DEVICE WHEN USED WITH THE FOLLOWING TRIM  
9C03 /IC, 9K03 /IC, 9R03/IC, 9C08 /IC, 9K08 /IC,  
9C08 /IC, 9C23, 9K23, 9R23 LEVER TRIM

TEMPLATE NUMBER  
T-9409 ③

RHR SHOWN  
LHR OPPOSITE




NOT TO SCALE

NOTES:

FINISHED FLOOR LINE OR TOP OF THRESHOLD

1. SEE MASTER SHEET #T-0001 FOR SUGGESTED DOOR REINFORCEMENT.
2. SEE ADDITIONAL DEVICE TEMPLATE WHEN REQUIRED.
3. TRIM WILL COVER STANDARD SDI CUTOUT.

REV. No. 1	REVISION: ADD NEW BORDER	DATE: 11-05-14
	<p>9C03, 9R03, 9K03, 9C03IC, 9R03IC, 9K03IC, 9C08 9R08, 9K08, 9C08IC, 9R08IC, 9K08IC KEY IN LEVER TRIM 9C23, 9R23, 9K23 LEVER TRIM</p>	<p>TEMPLATE NUMBER T-9013①</p>