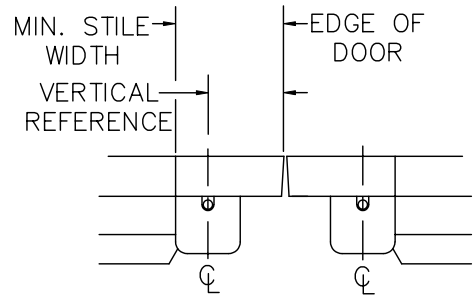
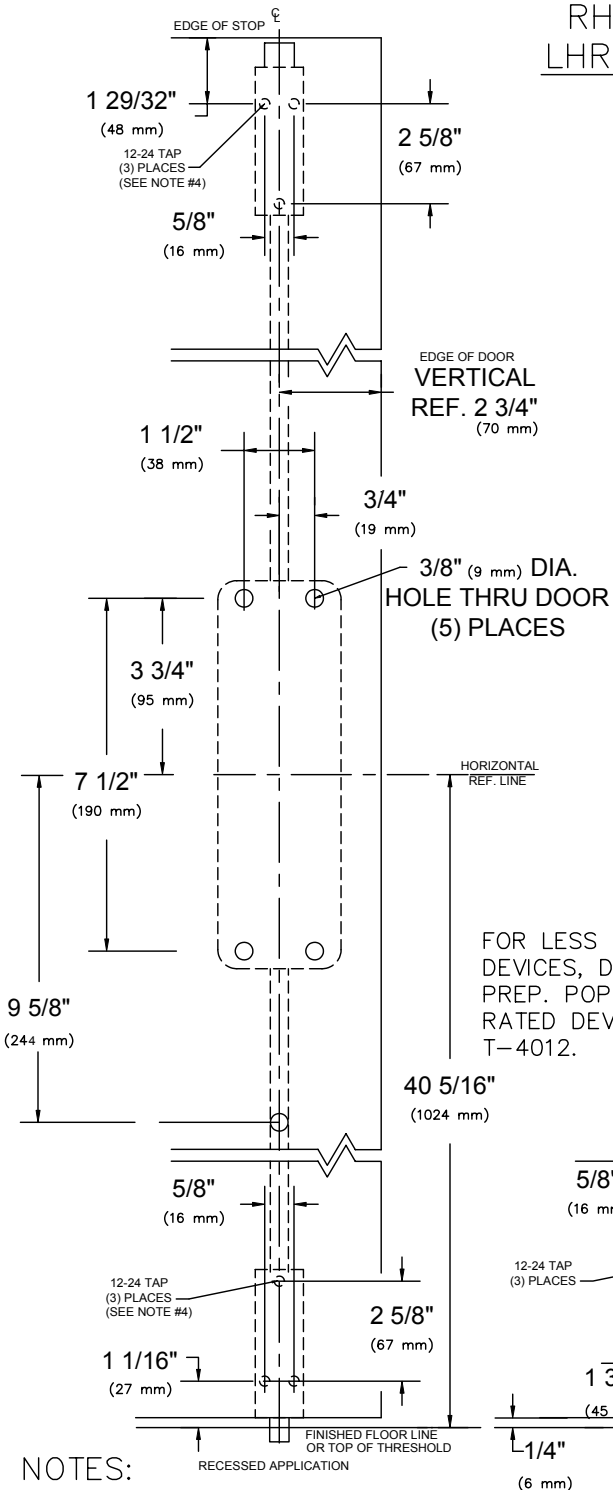
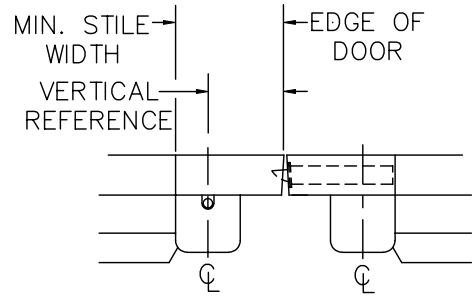


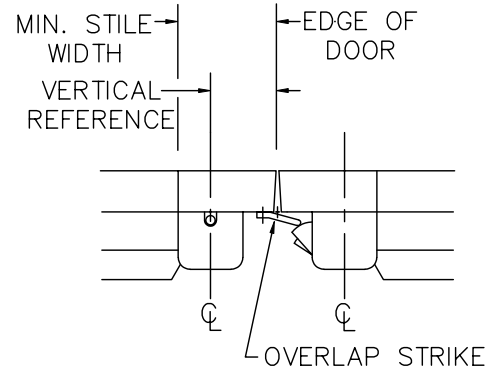
RHR SHOWN  
LHR OPPOSITE



VERTICAL REFERENCE	MINIMUM STILE WIDTH
2 3/4" (70 mm)	4 3/16" (106 mm)



VERTICAL REFERENCE	MINIMUM STILE WIDTH
2 3/4" (70 mm)	4 3/16" (106 mm)



STRIKE	VERT. REF.	MIN. STILE
320	2 1/2" (64 mm)	4" (102 mm)

FOR LESS BOTTOM ROD (LBR) DEVICES, DELETE BOTTOM LATCH PREP. POPPER REQUIRED ON FIRE RATED DEVICE, SEE TEMPLATE T-4012.

NOTES:

1. SEE MASTER SHEET #T-0001 FOR SUGGESTED DOOR REINFORCEMENT.
2. SEE ADDITIONAL TRIM TEMPLATE WHEN REQUIRED.
3. DEVICE WILL COVER STANDARD SDI CUTOUT.
4. FOR SEX NUTS USE 3/8" DRILL

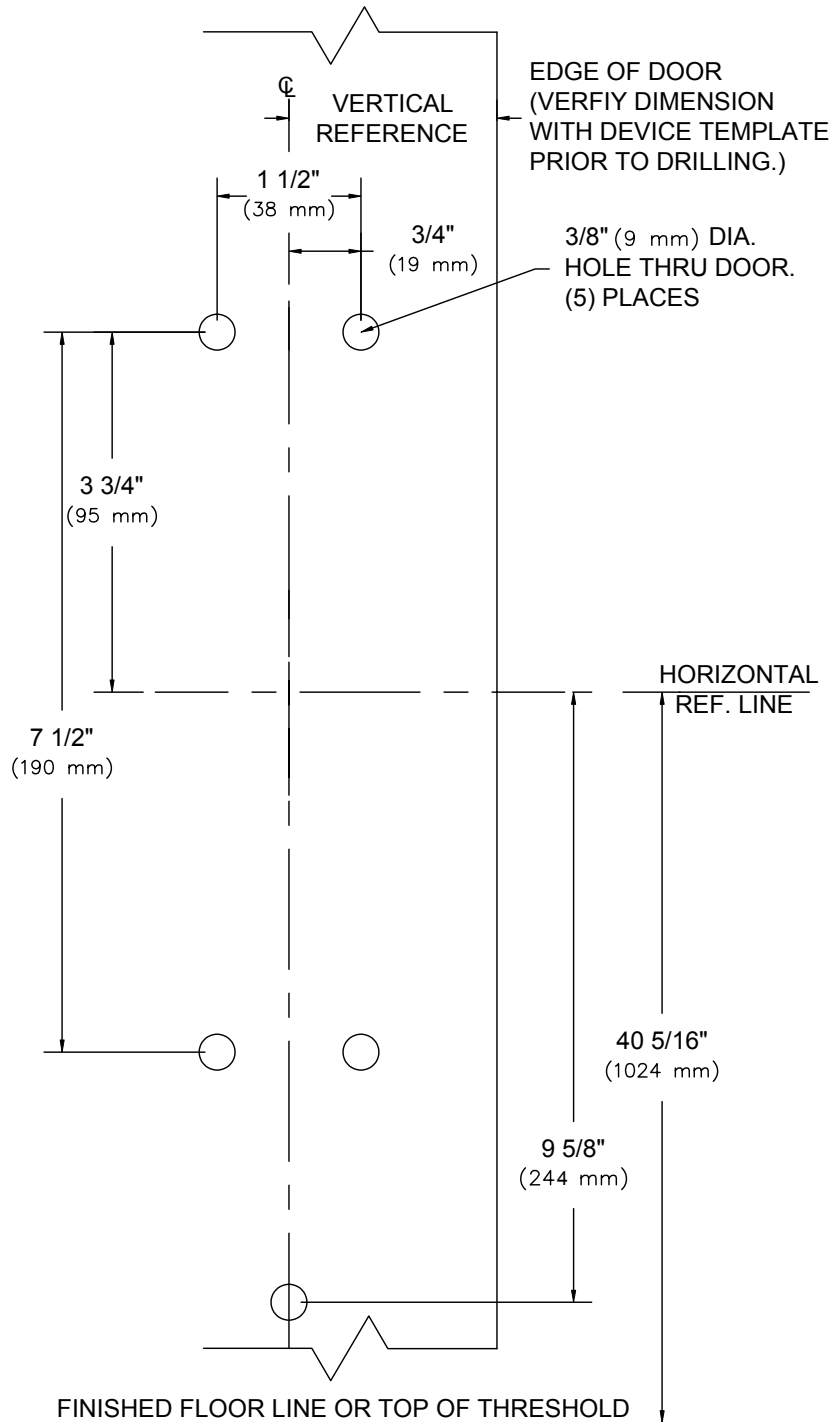
REV. No. 5 REVISION: Trim Designation DATE: 12-31-03



9400 & F9400 x VODT or NPTDT  
 9400 & F9400 x V102 or V302  
 9400 & F9400 x PTT02 or PRT02  
 VERTICAL ROD EXIT DEVICE


TEMPLATE NUMBER  
 T-9402 ⑤

RHR SHOWN  
LHR OPPOSITE



NOTES:

1. SEE MASTER SHEET #T-0001 FOR SUGGESTED DOOR REINFORCEMENT.
2. SEE ADDITIONAL DEVICE TEMPLATE WHEN REQUIRED.
3. "T" STYLE TRIM WILL COVER STANDARD SDI CUTOUT.

REV. No. 5	REVISION: Trim Designation	DATE: 12/31/03
	<p>VODT OR NPTDT V102, V302, PTT02 or PRT02 TRIM</p>	<p>TEMPLATE NUMBER T-9001 ⑤</p>