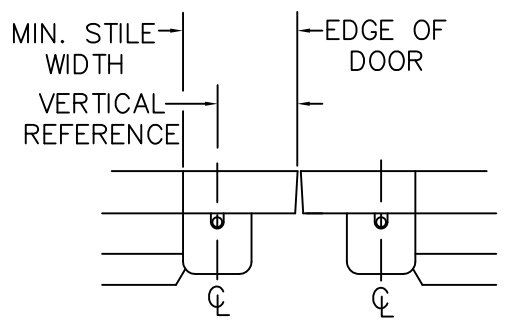
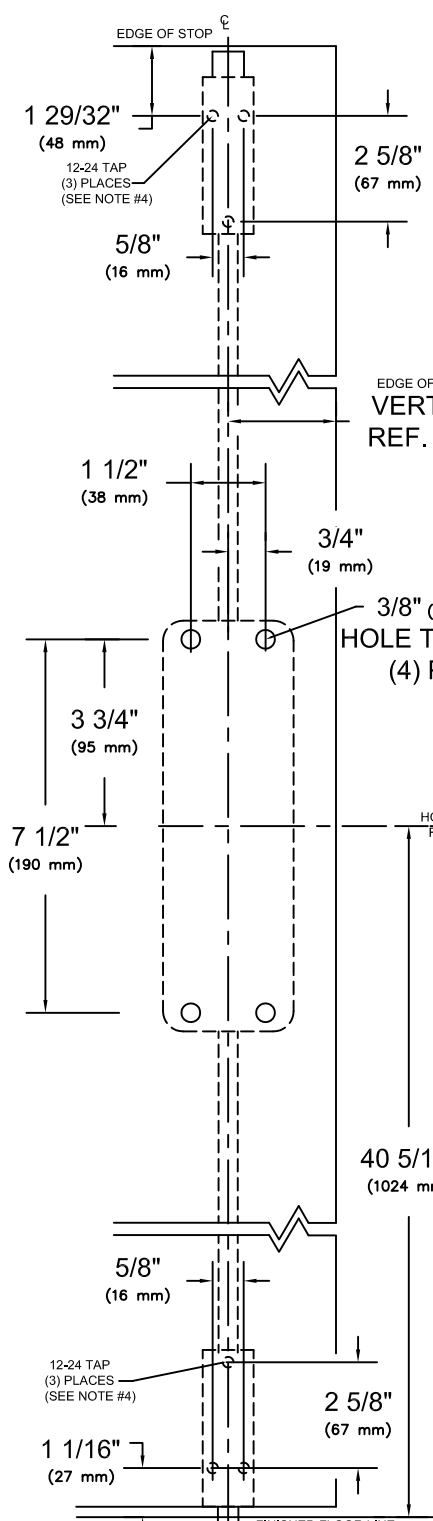
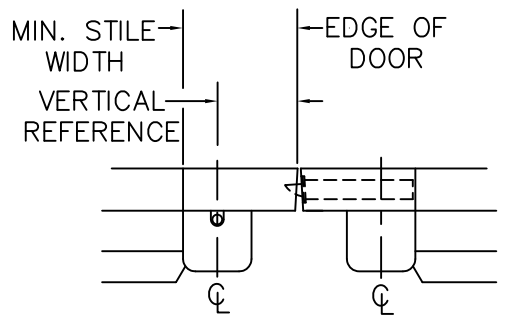


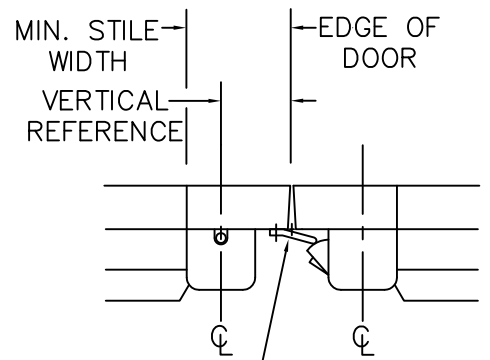
RHR SHOWN
LHR OPPOSITE



VERTICAL REFERENCE	MINIMUM STILE WIDTH
2 3/4\"/>	



VERTICAL REFERENCE	MINIMUM STILE WIDTH
2 3/4\"/>	



STRIKE	VERT. REF.	MIN. STILE
320	2 1/2\"/>	

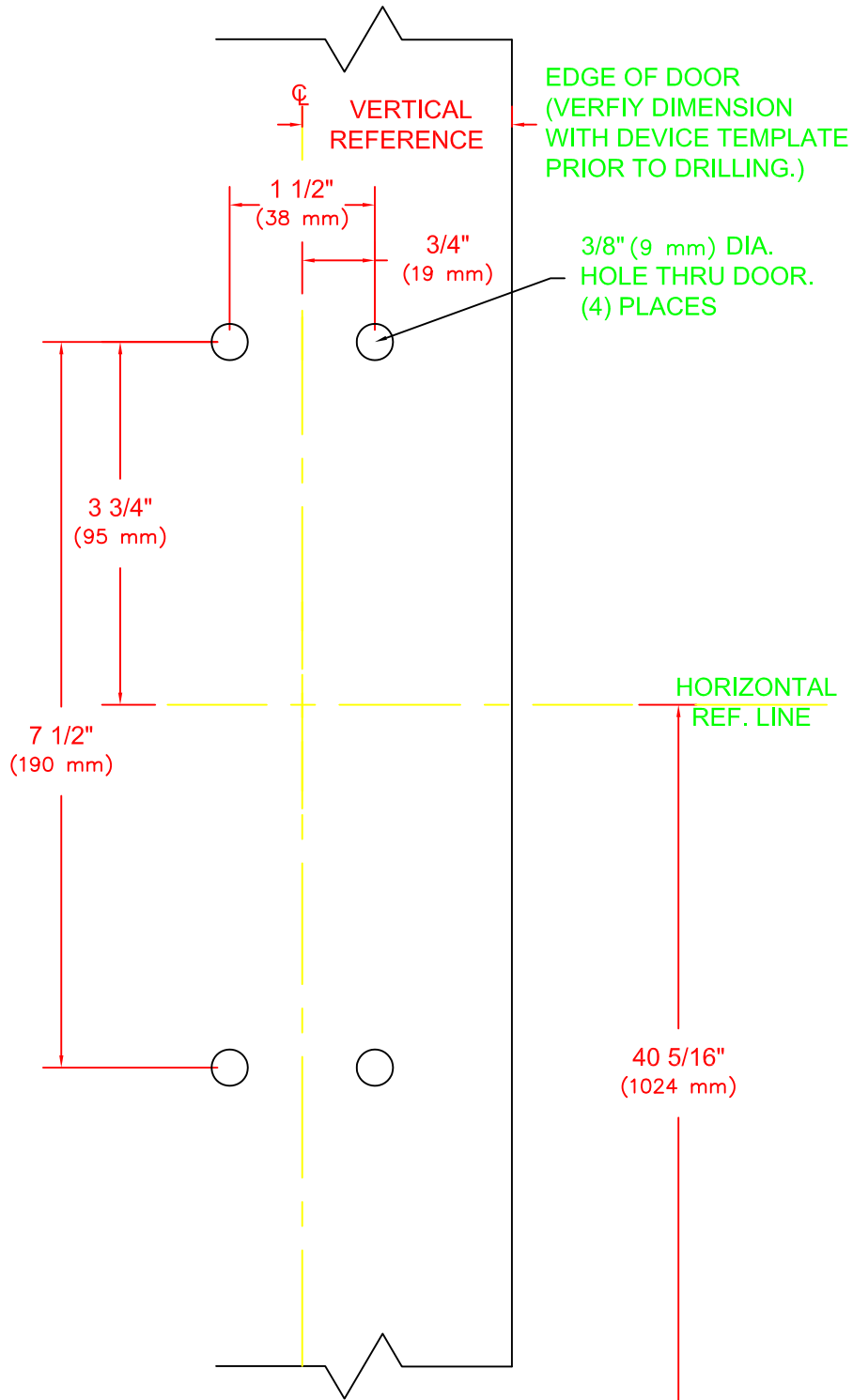
FOR LESS BOTTOM ROD (LBR) DEVICES, DELETE BOTTOM LATCH PREP. POPPER REQUIRED ON FIRE RATED DEVICE, SEE TEMPLATE T-4012.

NOTES:

1. SEE MASTER SHEET #T-0001 FOR SUGGESTED DOOR REINFORCEMENT.
2. SEE ADDITIONAL TRIM TEMPLATE WHEN REQUIRED.
3. DEVICE WILL COVER STANDARD SDI CUTOUT.
4. FOR SEX NUTS USE 3/8\"/>

REV. No. 2	REVISION: Lever Style Notes	DATE: 1-28-2014
	9400 & F9400 x Y0DT	TEMPLATE NUMBER
	Y*02R Note; * Denotes all Lever Design Styles VERTICAL ROD EXIT DEVICE	T-9401②

RHR SHOWN
LHR OPPOSITE



NOTES:

1. SEE MASTER SHEET FINISHED FLOOR LINE OR TOP OF THRESHOLD
- #T-0001 FOR SUGGESTED DOOR REINFORCEMENT.
2. SEE ADDITIONAL DEVICE TEMPLATE WHEN REQUIRED.
3. TRIM WILL COVER STANDARD SDI CUTOUT.

REV. No. 3

REVISION: Lever Style Notes

DATE: 1-16-14



YODT, Y*02R

Note; * Denotes all Lever Design Styles

TEMPLATE NUMBER

T-9000 ③