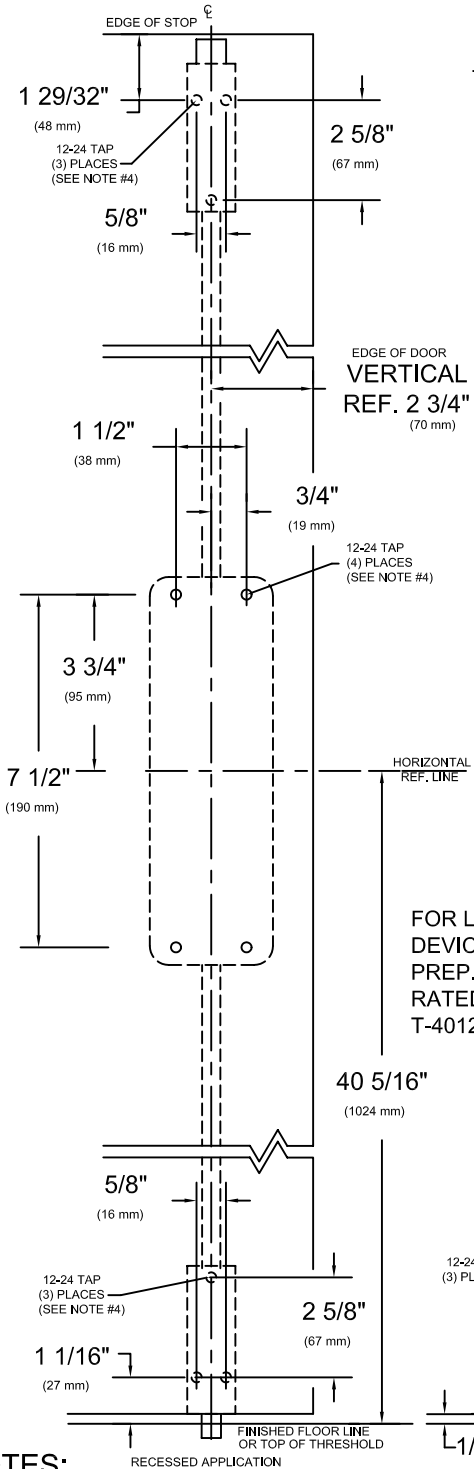


**RHR SHOWN  
LHR OPPOSITE**



EDGE OF DOOR  
VERTICAL  
REF. 2 3/4"  
(70 mm)

HORIZONTAL  
REF. LINE

FOR LESS BOTTOM ROD (LBR)  
DEVICES, DELETE BOTTOM LATCH  
PREP. POPPER REQUIRED ON FIRE  
RATED DEVICE, SEE TEMPLATE  
T-4012.

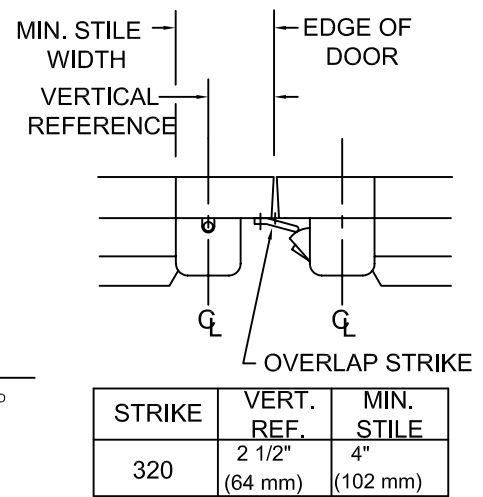
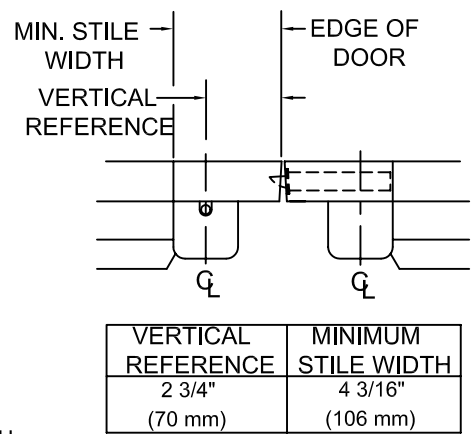
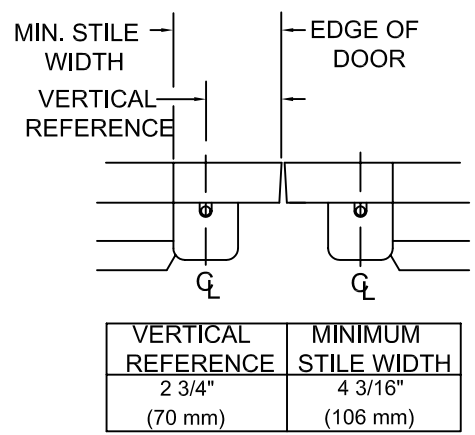
40 5/16"  
(1024 mm)


12-24 TAP  
(3) PLACES  
(SEE NOTE #4)

12-24 TAP  
(3) PLACES

**NOTES:**

1. SEE MASTER SHEET #T-0001 FOR SUGGESTED DOOR REINFORCEMENT.
2. SEE ADDITIONAL TRIM TEMPLATE WHEN REQUIRED.
3. DEVICE WILL COVER STANDARD SDI CUTOUT.
4. FOR SEX NUTS USE 3/8" DRILL



REV. No. 2	REVISION: ADD NOTE	DATE: 10-20-00
	9400 & F9400 VERTICAL ROD EXIT DEVICE	TEMPLATE NUMBER <b>T-9400</b> ②