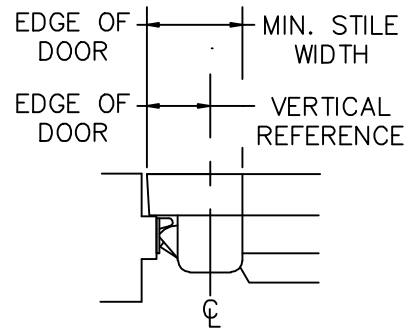
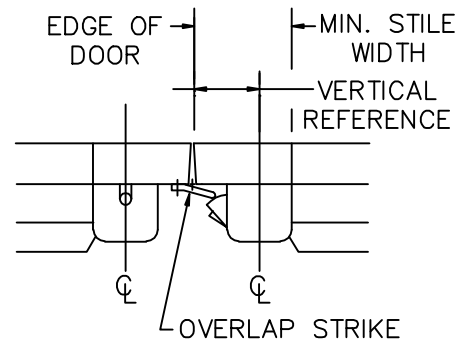
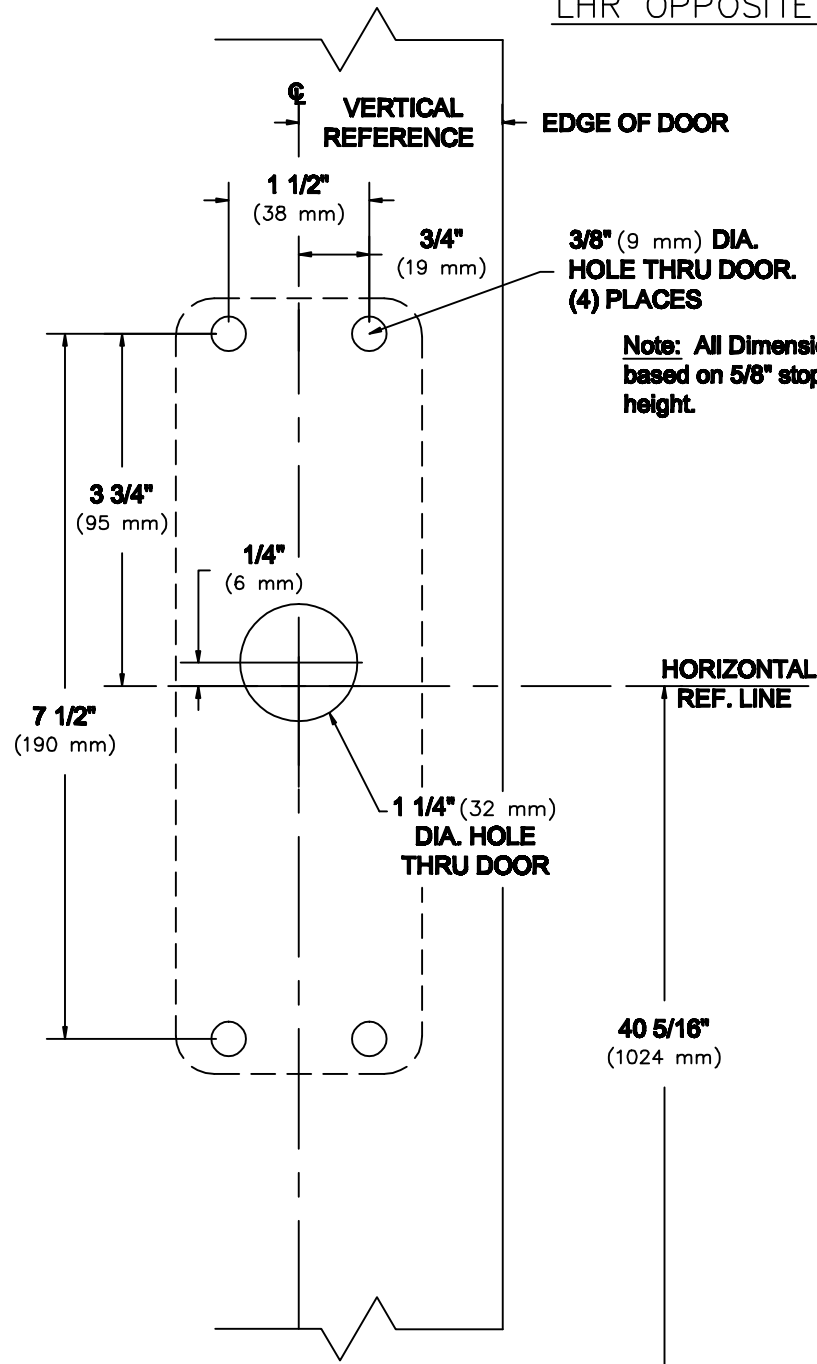


RHR SHOWN
LHR OPPOSITE



STOP	STRIKE	VERT. REF.	MIN. STILE
BLADE (cutout)	430	2 1/16" (52 mm)	3 1/2" (89 mm)
	486	2 13/16" (72 mm)	4 1/4" (108 mm)
	463		



STRIKE	VERT. REF.	MIN. STILE
320	2 1/2" (64 mm)	4" (102 mm)

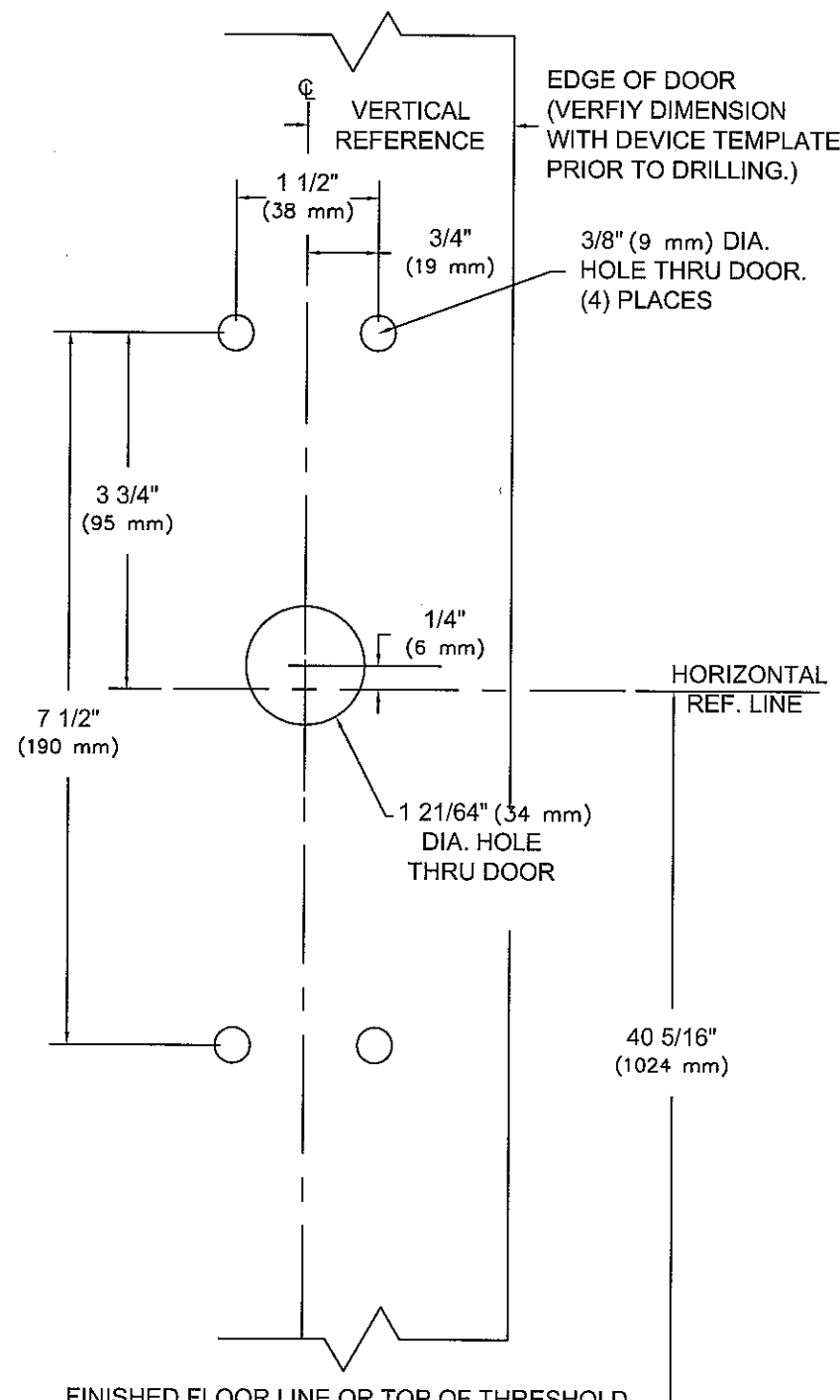
NOTES: **FINISHED FLOOR LINE OR TOP OF THRESHOLD**

1. SEE MASTER SHEET #T-0001 FOR SUGGESTED DOOR REINFORCEMENT.
2. SEE ADDITIONAL TRIM TEMPLATE WHEN REQUIRED.
3. DEVICE WILL COVER STANDARD SDI CUTOUT.

REV. No. 1	REVISION: Revise Strikes	DATE: 4-10-08
	9300 & F9300 x POF03HDA RIM TYPE EXIT DEVICE	TEMPLATE NUMBER T-9311 ①


ALWAYS CONSULT DORMA'S WEB SITE FOR LATEST TEMPLATE AT WWW.DORMA-USA.COM OR CALL 1 800 523 8483 9/99

RHR SHOWN
LHR OPPOSITE



NOTES:

1. SEE MASTER SHEET #T-0001 FOR SUGGESTED DOOR REINFORCEMENT.
2. SEE ADDITIONAL DEVICE TEMPLATE WHEN REQUIRED.
3. TRIM WILL COVER STANDARD SDI CUTOUT.

REV. No. 3	REVISION: Hole Dia.	DATE: 5-15-06
	<p>Y003, YK03R, YC03R, YT03R, or YR03R TRIM</p>	<p>TEMPLATE NUMBER T-9003 ③</p>