

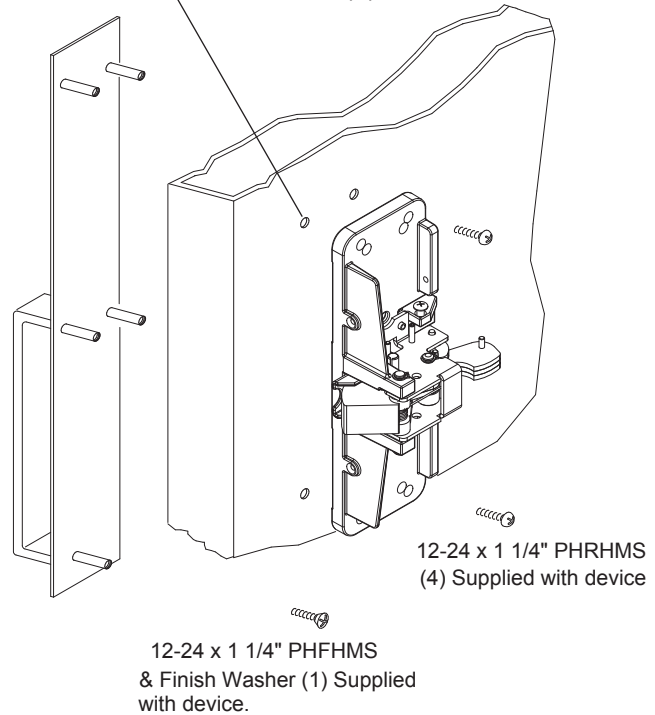
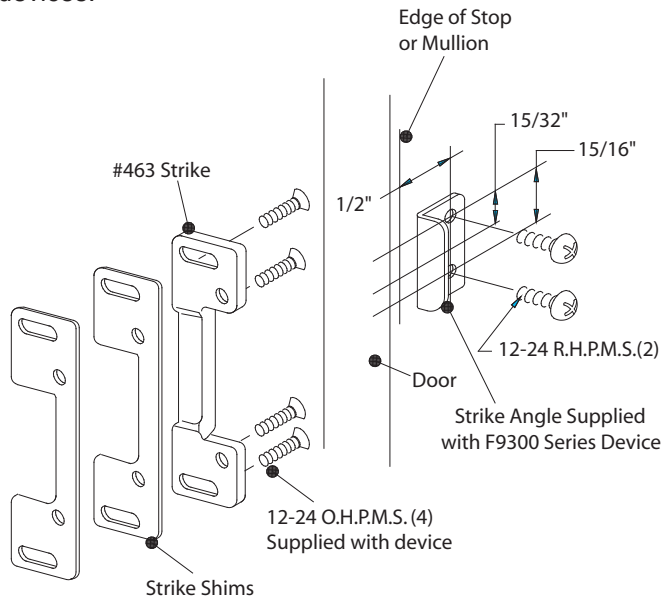
REPLACEMENT TRIM FOR USE WITH 9300/F9300 RIM SERIES AND VON DUPRIN 98/99 SERIES RIM EXIT DEVICE PREPPED OPENINGS



See Proper Retro-fit Template When Required.
 Template T-9300R1, T-9302R1 & T-9303R1 by function.

IMPORTANT NOTE: For proper latch bolt engagement, replace existing strike with DORMA #463 strike and both strike shims. #463 strike and shims are supplied with the DORMA 9300/F9300 series exit devices.

IMPORTANT NOTE: For existing holes and no trim re-use existing screws or re-tap to 12-24 thread for new screws. When using DORMA plate trim drill existing holes (5) out to 3/8" Dia., for thru bolts (4).

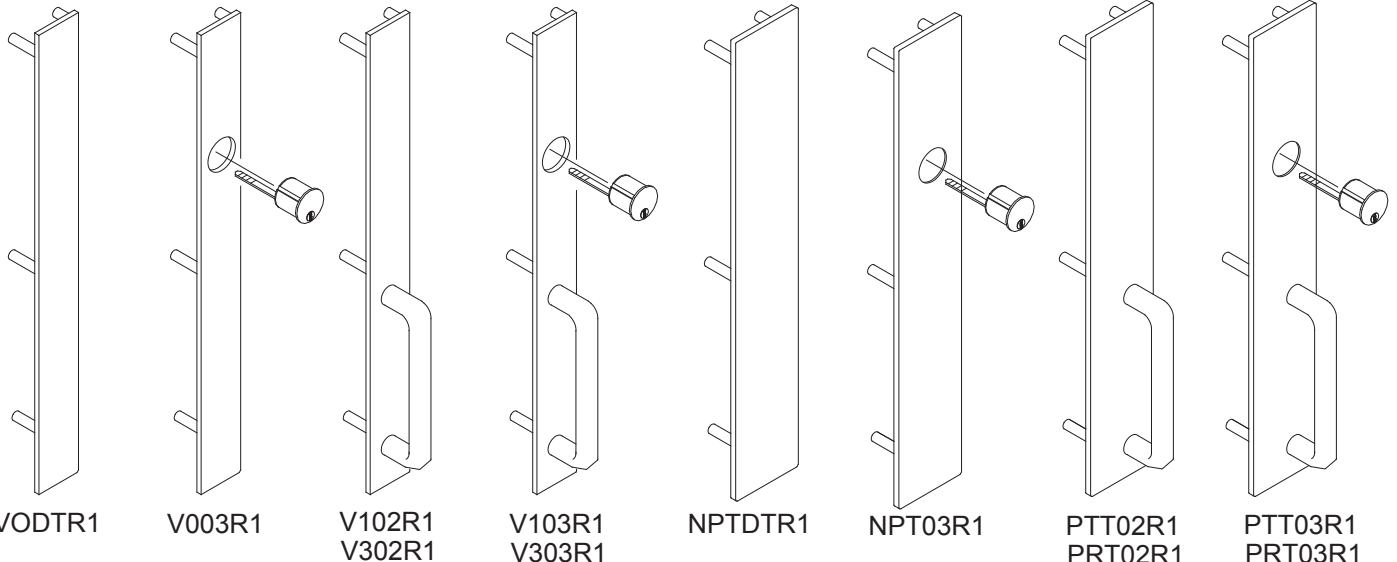


DORMA 80R20SC Rim Cylinder & 80CK Mounting kit supplied with trim.

Round Pull Shown
 Rectangular Available



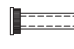
Narrow Plate Trim - 2 1/8" x 16"

Wide Plate Trim - 3" x 16"



Standard installation of
end cap mounting bracket.

Install touch bar. Standard DORMA A or B touch bar and rail will extend past existing mounting holes. Install end cap bracket with (2) screws as shown. If thru bolts were previously used they should be secured in place or rail may be cut to length and existing holes, thru bolts & screws may be used.

-  — 1/8" (3 mm) Drill 1" (25 mm) Deep (Wood)
-  — No. 14 Drill - 12-24 Tap (Metal)
-  — 3/8" (10 mm) Dia. (Thru bolts)

