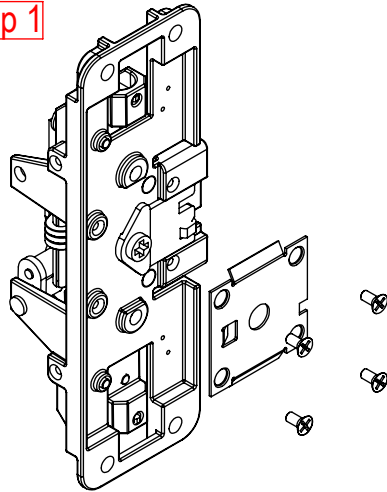


Installation Supplement For
03 Function Trim With Rim Cylinder When Used With
9100 Or 9400 Series Exit Device Models

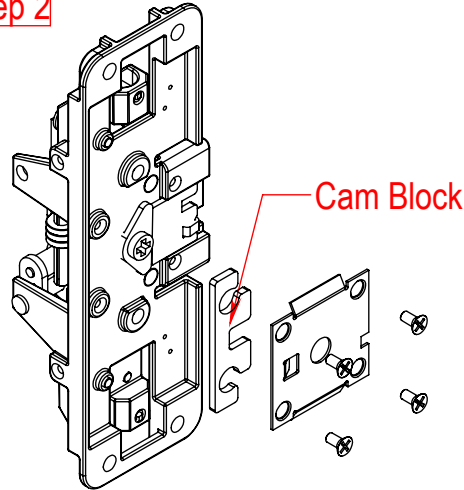


Step 1



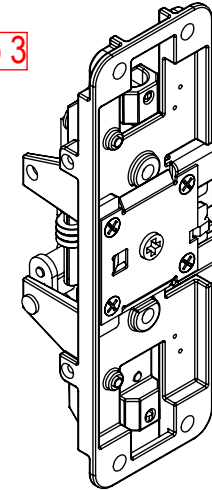
Remove 4 Screws
And Back-Plate

Step 2



Install Cam Block As Shown

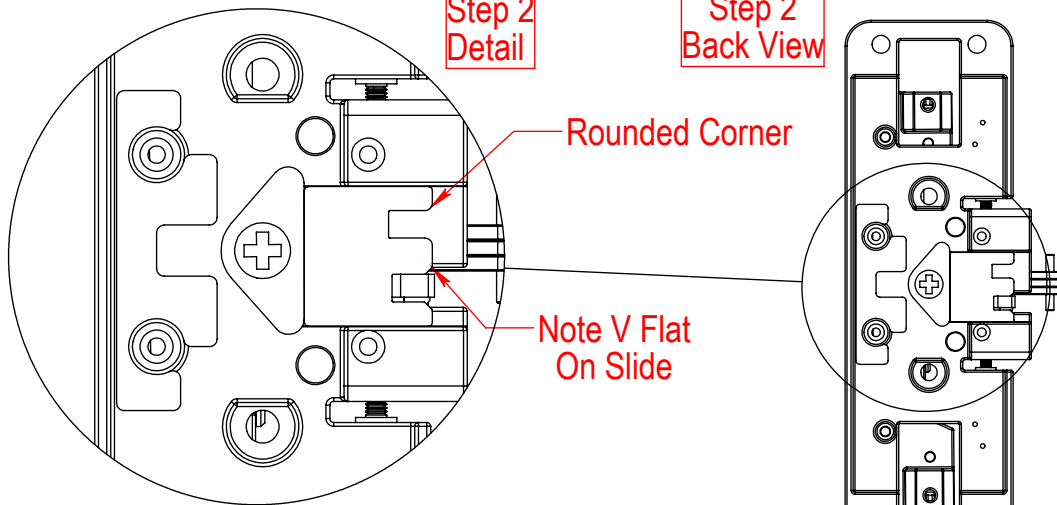
Step 3



Reinstall Back-Plate
And 4 Screws

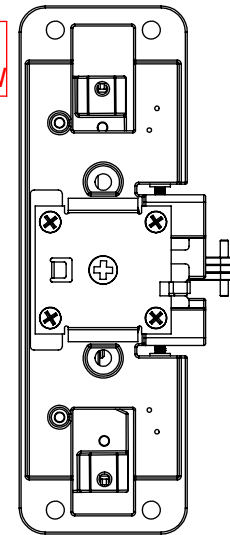
Step 2
Detail

Step 2
Back View



Install Cam Block As Shown

Step 3
Back View



Reinstall Back-Plate
And 4 Screws