

9000 SERIES BPA/BPAR ALARM KIT



Technical Specifications

BPA:

Battery powered alarm, sounds continuous or until disarmed.

BPAR:

Battery powered alarm, sounds continuous for 4 minutes then resets automatically.

"Alarm mode is set at factory."

Size A:

Fits 48" door opening without cutting.

Can be cut to fit a 39" minimum door opening.

Size B:

Fits 36" door opening without cutting.

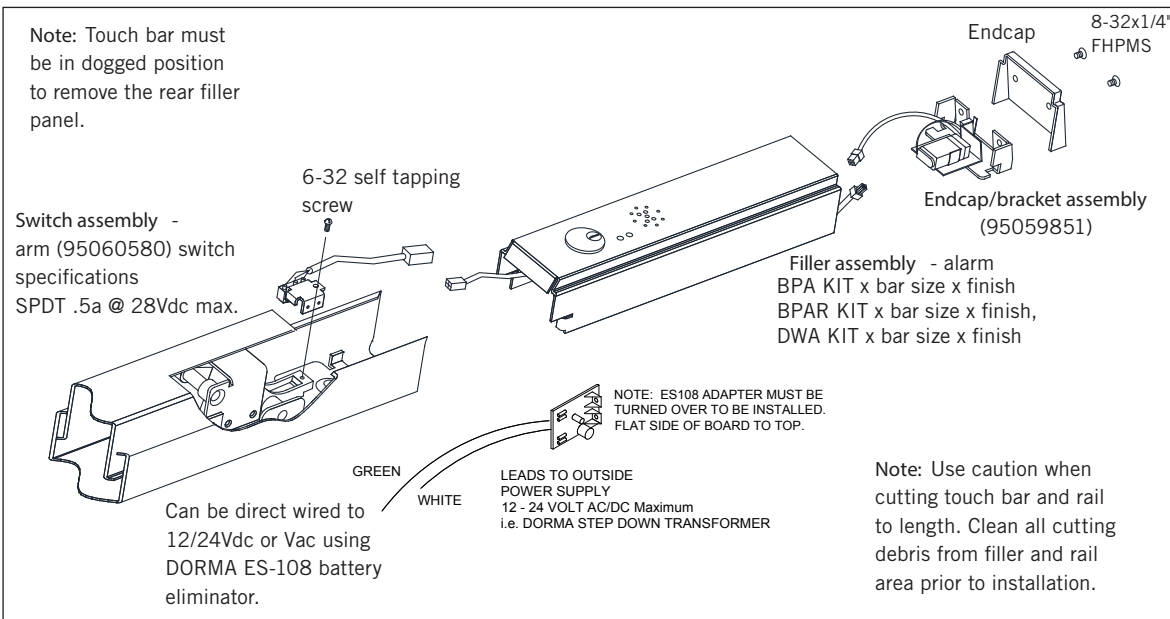
Can be cut to fit a 33" minimum door opening.

Size C:

Fits 36" door opening without cutting.

Using a shorter touch pad than the standard "B" size, allows it to be cut to a 30" door opening.

9000 Series BPA/BPAR/DWA Alarm overall view



Installation of the 9000 Series BPA/BPAR Alarm

1. Remove existing end cap from touch bar and rail assembly.
2. Remove existing end cap mounting bracket.
3. Dog touch bar and remove existing filler. (Note: if current unit is equipped with dogging, the dogging assembly will have to be removed prior to installing the alarm kit.)
4. Install switch assembly with 6-32x3/8" self tapping screw to rear arm as shown above.
5. Slide new alarm filler assembly into rear of rail as shown. Use caution not to pinch wires during installation. Connect male and female connector. Slide filler forward into place.
6. Connect long lead of filler assembly to lead on the end cap bracket.
7. Install new mounting bracket assembly to door.
8. Install end cap to mounting bracket assembly.

How to operate the 9000 Series BPA/BPAR Alarm

1. To arm the unit, slowly rotate key counter-clockwise 180 degrees: two beeps should be heard. Rotate and remove key.
2. Unit should now be in the "armed" mode. You have 10 seconds to exit the door before actual arming takes place.
3. To disarm unit, slowly rotate key counter-clockwise 180 degrees: a single beep should be heard. Rotate and remove key.
4. Test unit by attempting to remove end cap. Alarm should sound if end cap is removed.
5. Reset unit by disarming the rearming, wait 10 seconds and attempt to exit door. Alarm should sound. If a problem is found during the test period, check all connections and switches for proper function. If problem persists, contact the factory for further assistance.

"Alarms are set at the factory for either continuous or auto reset mode."