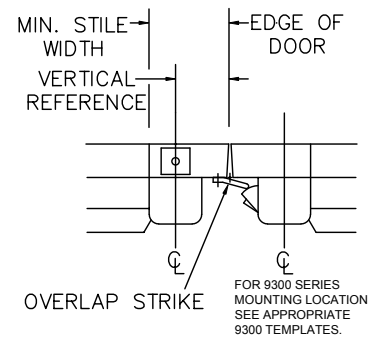
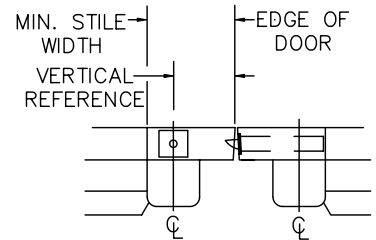
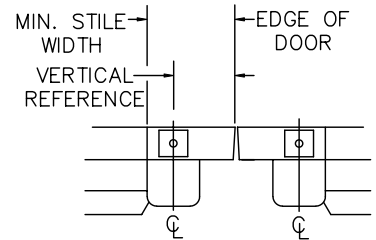
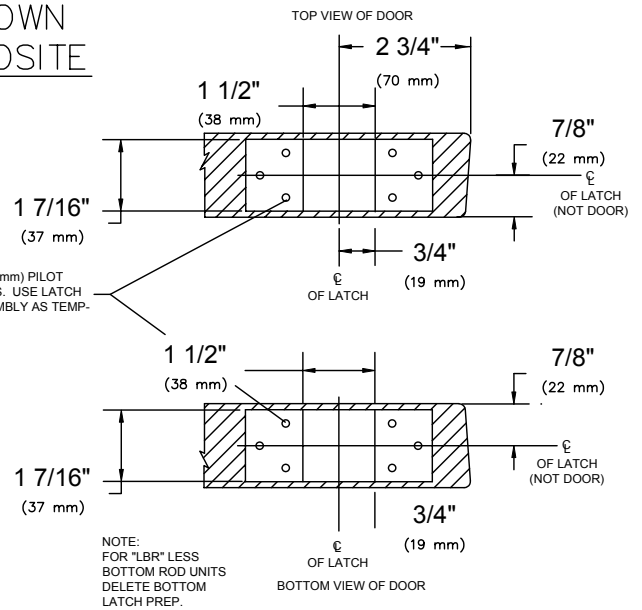
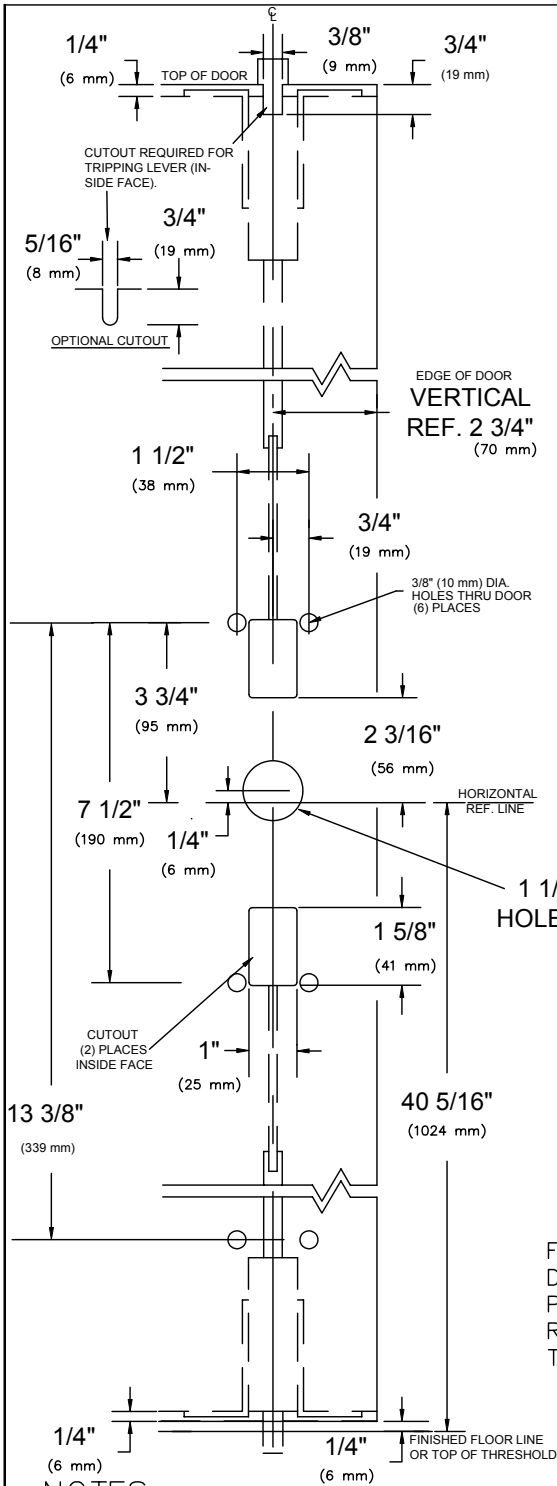


RHR SHOWN
LHR OPPOSITE



VERTICAL REFERENCE	MINIMUM STILE WIDTH
2 3/4" (70 mm)	4 3/16" (106 mm)

NOTES:

1. SEE T-9118WD FOR ROUTING INSTRUCTIONS.
2. SEE ADDITIONAL TRIM TEMPLATE WHEN REQUIRED.
3. SEE ADDITIONAL TEMPLATES FOR FIRE CHANNEL EDGE PREP.
3. DEVICE WILL COVER STANDARD SDI CUTOUT.

FOR LESS BOTTOM ROD (LBR) DEVICES, DELETE BOTTOM LATCH PREP. POPPER REQUIRED ON FIRE RATED DEVICE, SEE TEMPLATE T-4012.

REV. No. 6

REVISION: Trim Designation

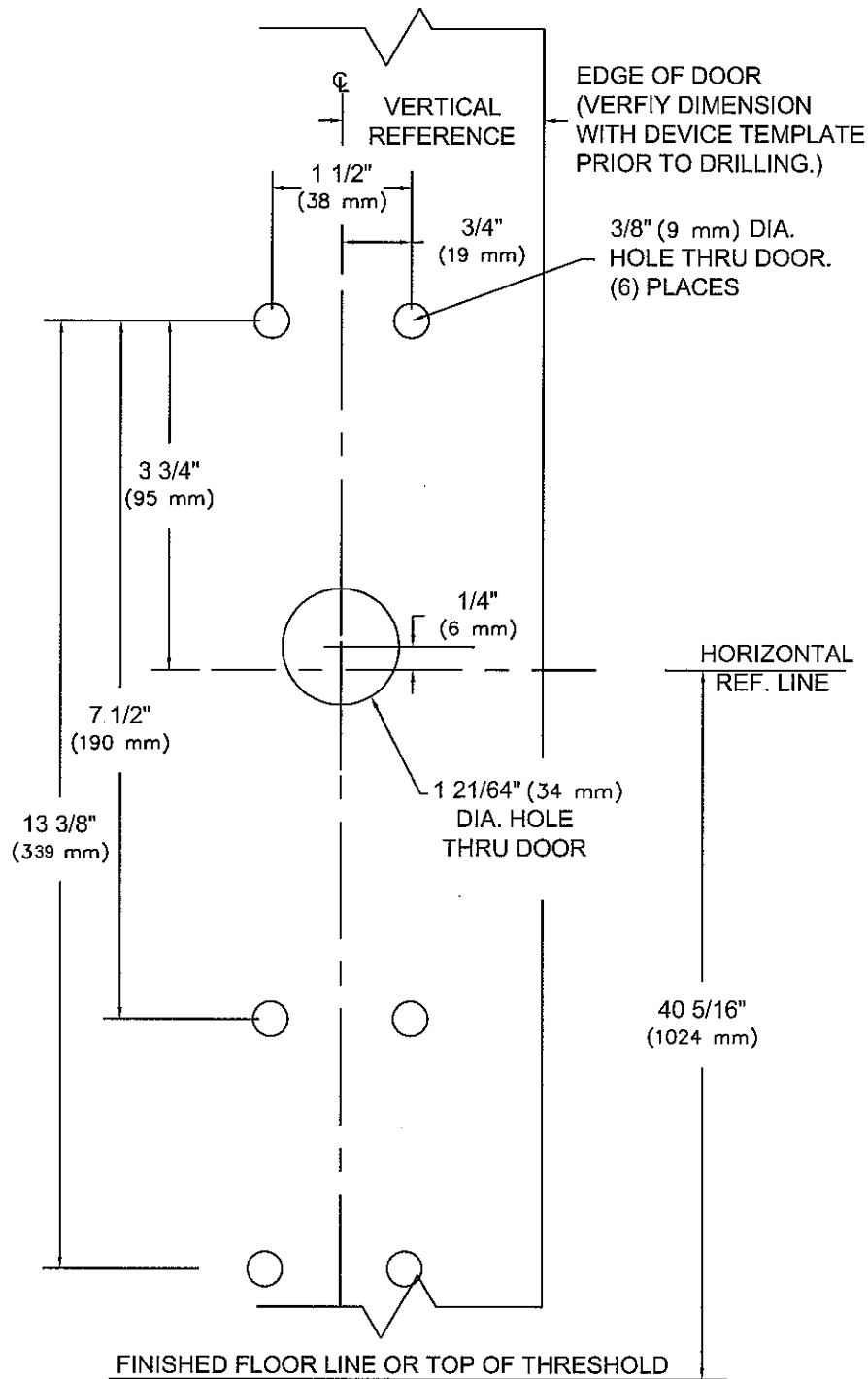
DATE: 12-31-03



9100 & F9100 x V103CV or V303CV
9100 & F9100 x PTT03CV or PRT03CV
VERTICAL ROD EXIT DEVICE
(Wood Door)

TEMPLATE NUMBER
T-9114WD
⑥


RHR SHOWN
LHR OPPOSITE



NOTES:

FINISHED FLOOR LINE OR TOP OF THRESHOLD

1. SEE MASTER SHEET #T-0001 FOR SUGGESTED DOOR REINFORCEMENT.
2. SEE ADDITIONAL DEVICE TEMPLATE WHEN REQUIRED.
3. "T" STYLE TRIM WILL COVER STANDARD SDI CUTOUT, REQUIRES 80CK KIT.

REV. No. 7	REVISION: Hole Dia.	DATE: 5-15-06
	<p>V103CV, V303CV, PTT03CV & PRT03CV TRIM</p>	<p>TEMPLATE NUMBER T-9015 ⑦</p>