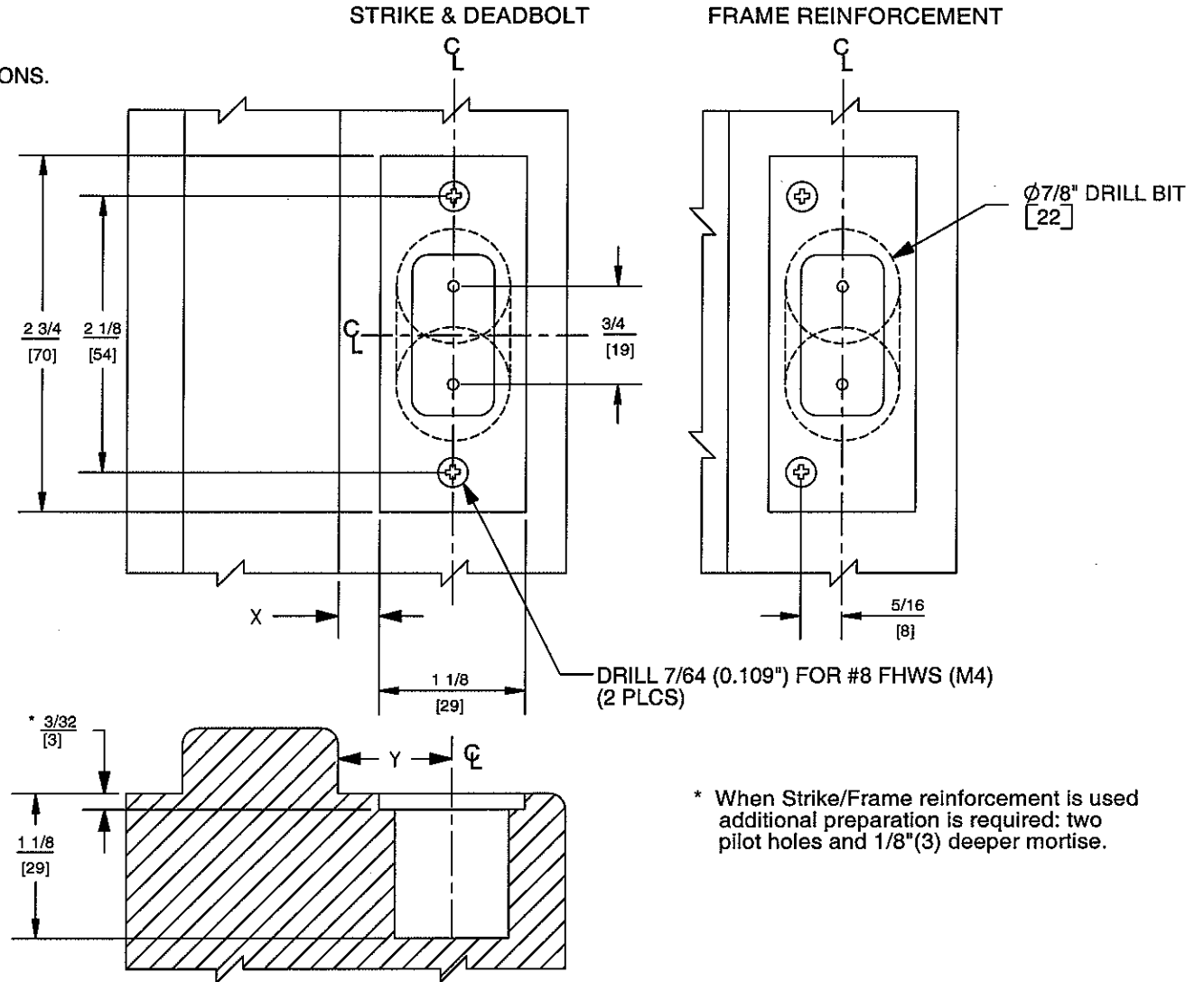


NOTES:

1. DO NOT SCALE DRAWING.
2. DIMENSIONS ARE IN INCHES/(MM).
3. FOR USE WITH 1"(25) THROW DEADBOLT FUNCTIONS.
4. STRIKE LOCATION ON FRAMES MUST BE ADJUSTED FOR THICKNESS OF DOOR SILENCERS WHEN USED.
5. DIMENSIONS X AND Y ARE VARIABLES DEPENDING ON DOOR THICKNESS.



* When Strike/Frame reinforcement is used additional preparation is required: two pilot holes and 1/8"(3) deeper mortise.

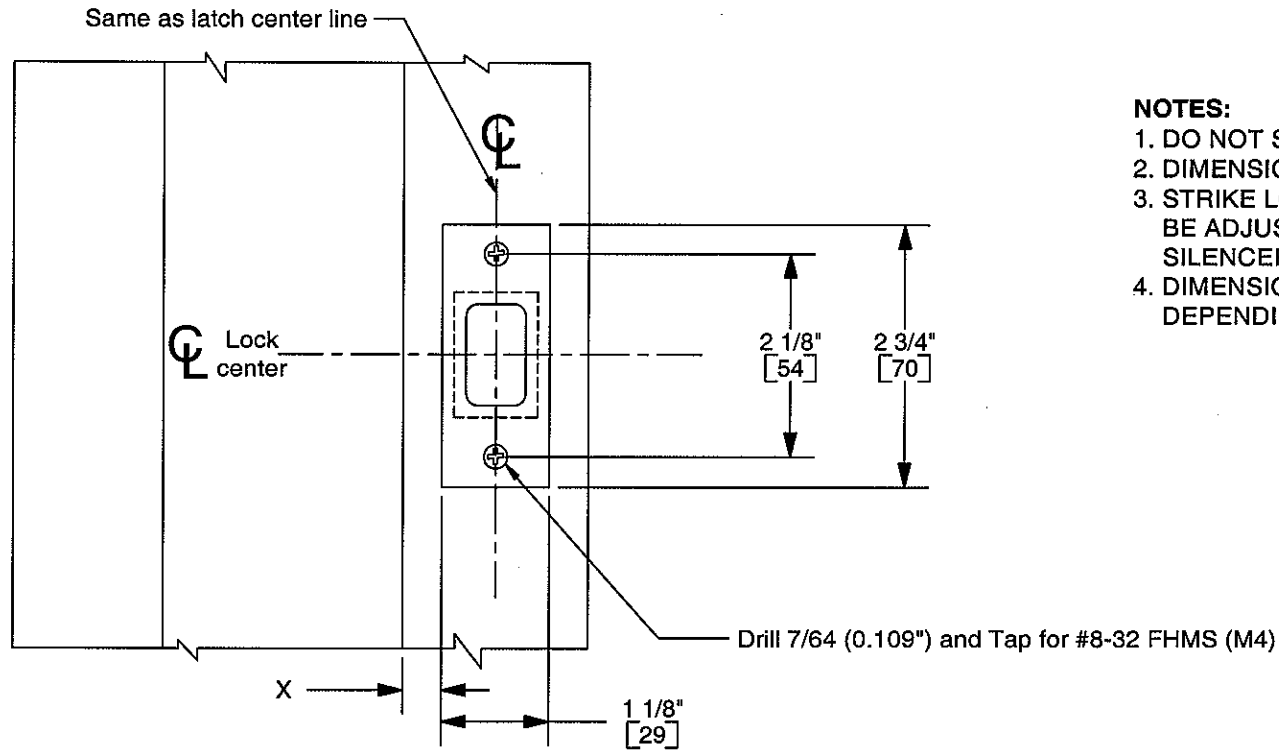
Always consult Dorma's web site for latest template at www.dorma-usa.com or call 1-800-523-8483.

5103 STRIKE
DEADBOLT
Wood Jamb



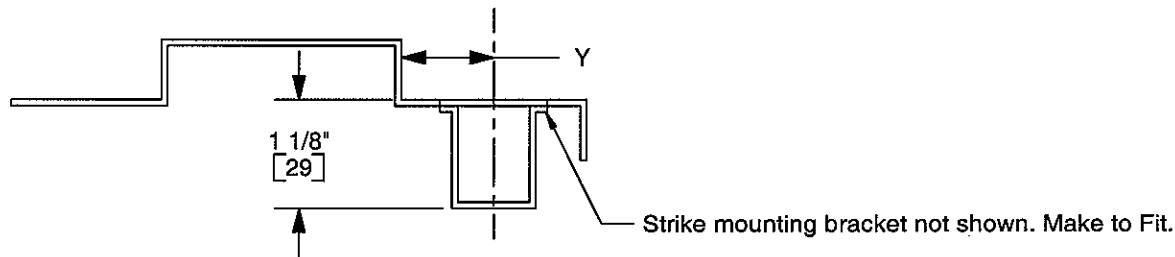
DORMA Door Controls
Reamstown, PA 17567

TEMPLATE No. STRIKE 5103W



NOTES:

1. DO NOT SCALE DRAWING.
2. DIMENSIONS ARE IN INCHES/(MM).
3. STRIKE LOCATION ON FRAMES MUST BE ADJUSTED FOR THICKNESS OF DOOR SILENCERS WHEN USED.
4. DIMENSIONS X AND Y ARE VARIABLES DEPENDING ON DOOR THICKNESS.



Always consult Dorma's web site for latest template at www.dorma-usa.com or call 1-800-523-8483.