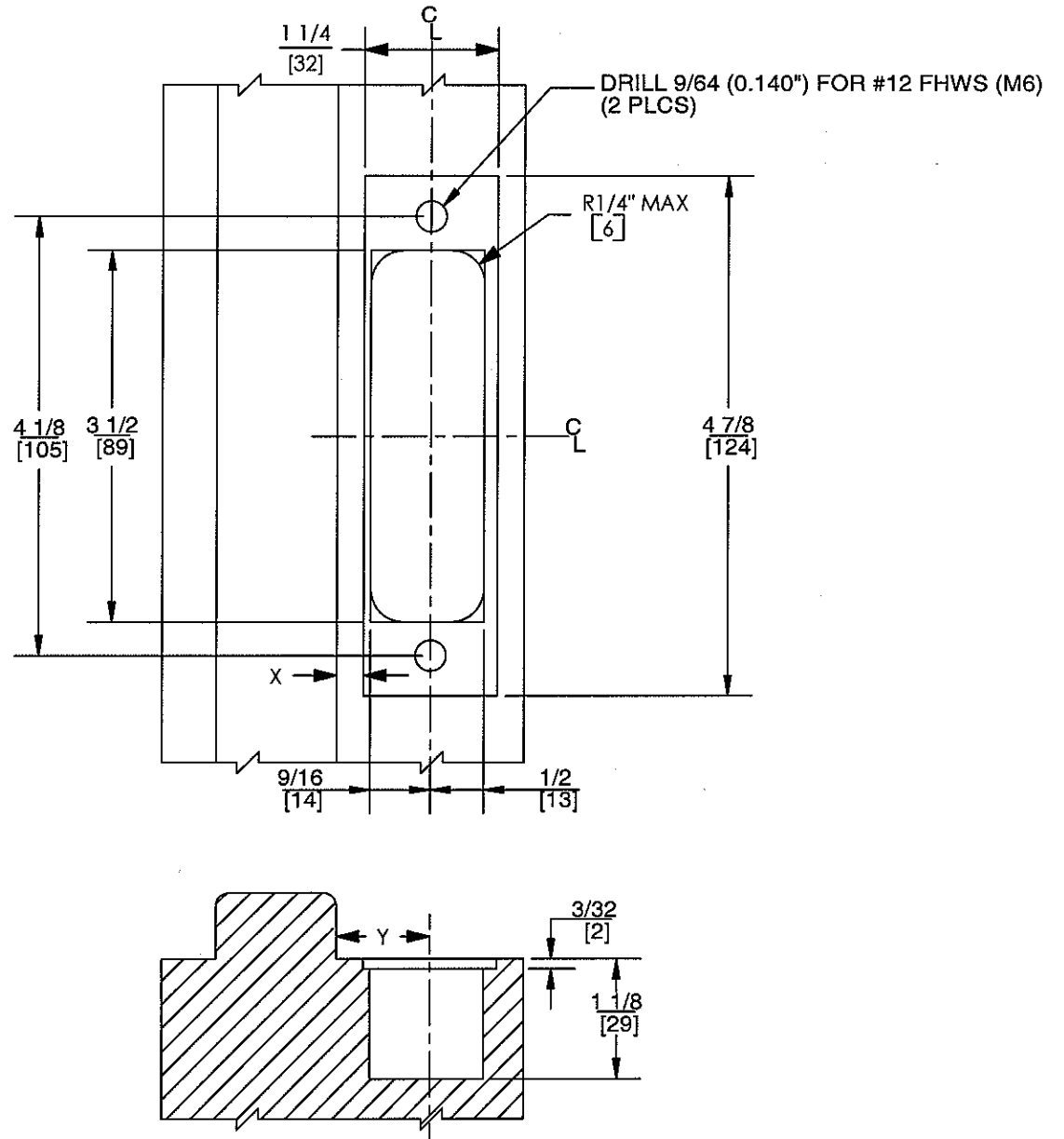


NOTES:

1. DO NOT SCALE DRAWING.
2. DIMENSIONS ARE IN INCHES/(MM).
3. STRIKE LOCATION ON FRAMES MUST BE ADJUSTED FOR THICKNESS OF DOOR SILENCERS WHEN USED.
4. DIMENSIONS X,Y ARE VARIABLES DEPENDING ON DOOR THICKNESS.



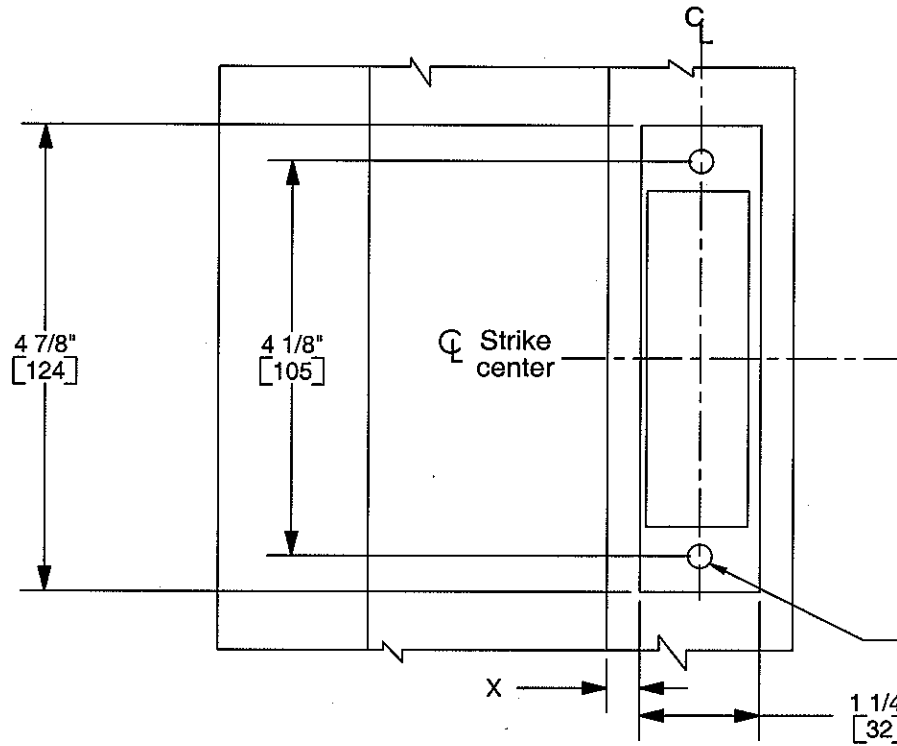
Always consult Dorma's web site for latest template at www.dorma-usa.com or call 1-800-523-8483.

5004 STRIKE
Wood Jamb

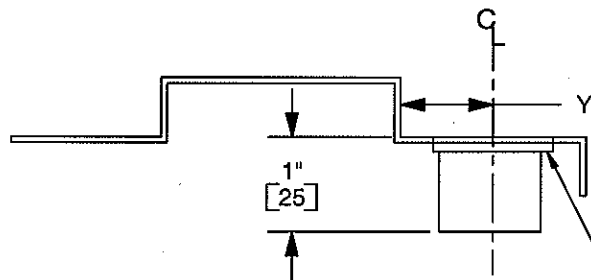


DORMA Door Controls
Reamstown, PA 17567

TEMPLATE No. STRIKE 5004W



Drill #16 (0.177") and Tap for #12-24 FHMS (M6)
(2 PLCS)



Strike mounting bracket not shown. Make to Fit.

NOTES:

1. DO NOT SCALE DRAWING.
2. DIMENSIONS ARE IN INCHES/(MM).
3. STRIKE LOCATION ON FRAMES MUST BE ADJUSTED FOR THICKNESS OF DOOR SILENCERS WHEN USED.
4. DIMENSIONS X,Y ARE VARIABLES DEPENDING ON DOOR THICKNESS.

Always consult Dorma's web site for latest template at www.dorma-usa.com or call 1-800-523-8483.