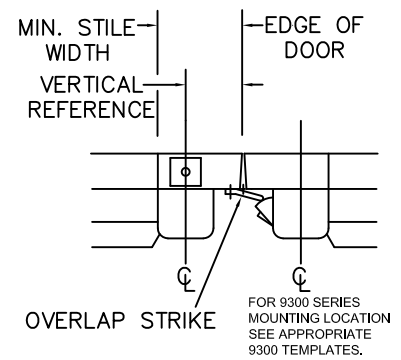
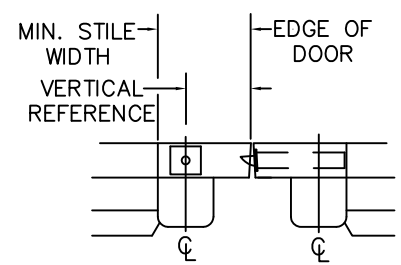
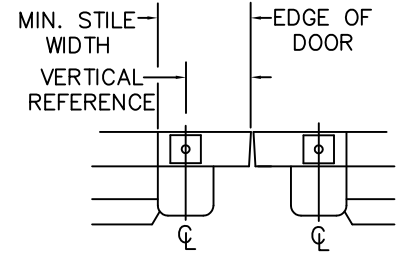
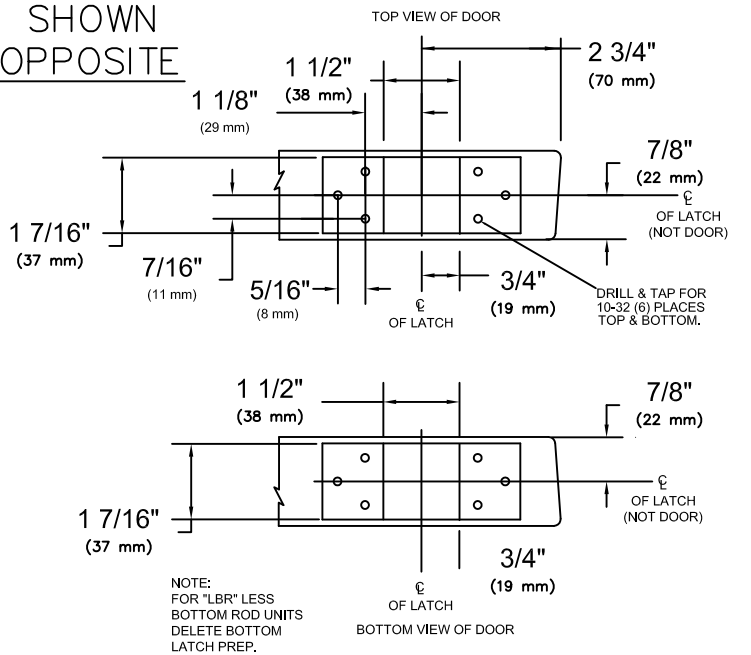
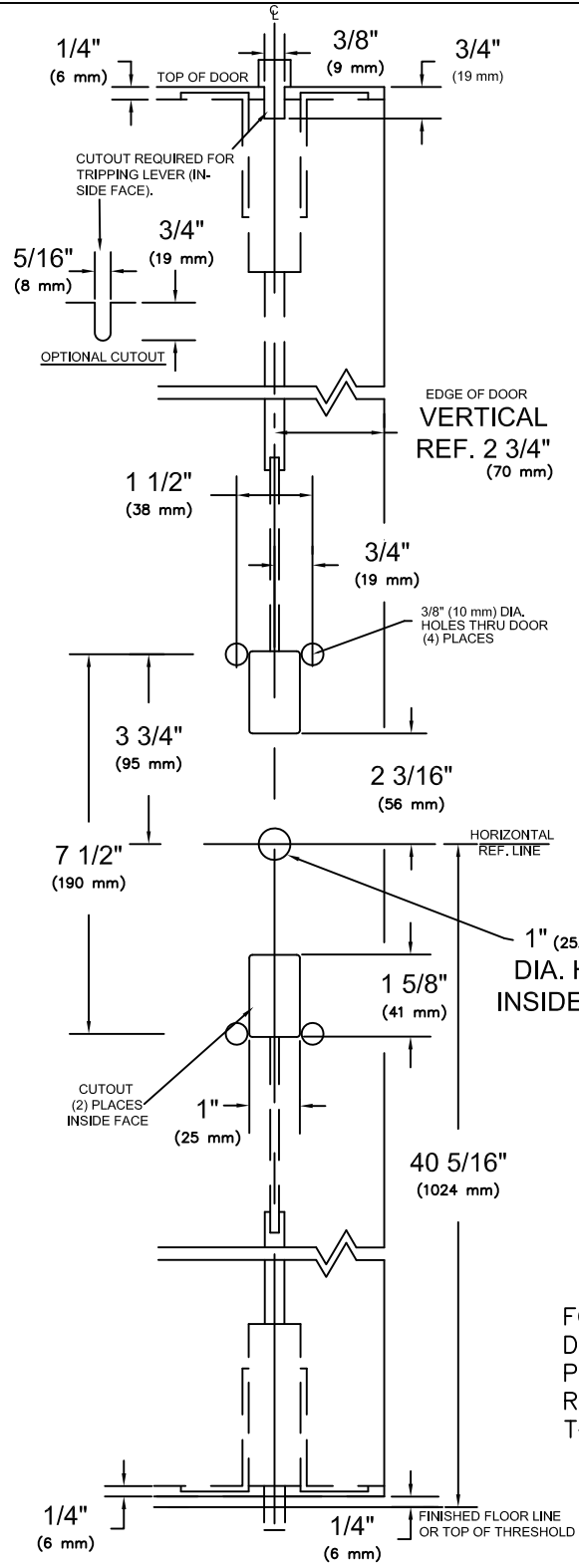



RHR SHOWN
LHR OPPOSITE



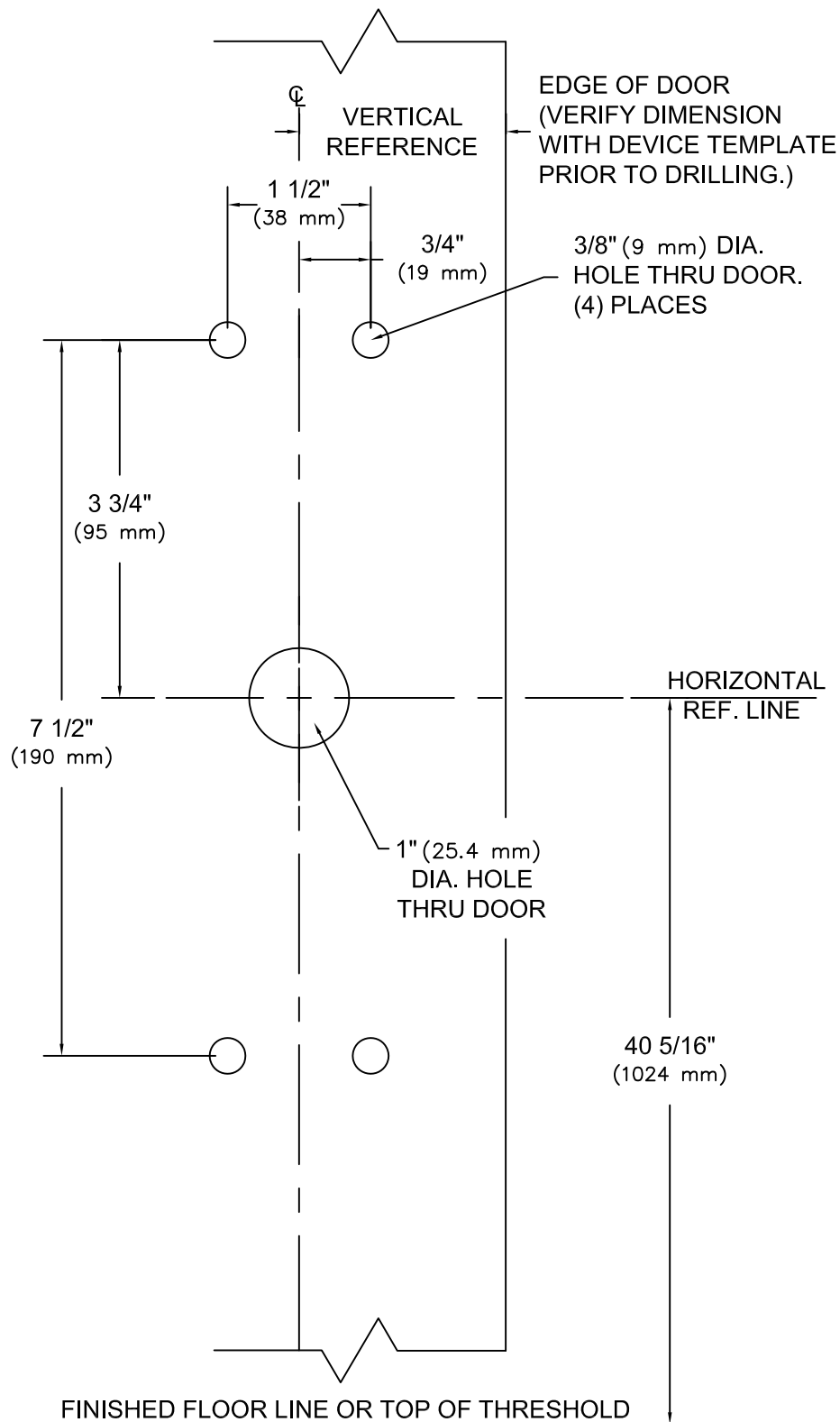
FOR LESS BOTTOM ROD (LBR) DEVICES, DELETE BOTTOM LATCH PREP. POPPER REQUIRED ON FIRE RATED DEVICE, SEE TEMPLATE T-4012.

VERTICAL REFERENCE	MINIMUM STILE WIDTH
2 3/4" (70 mm)	4 3/16" (106 mm)

- NOTES:
1. SEE ADDITIONAL TRIM TEMPLATE WHEN REQUIRED.
 2. DEVICE WILL COVER STANDARD SDI CUTOUT.
 3. FOR SEX NUTS USE 3/8" DRILL.

REV. No. 4	REVISION: Lever Style Notes	DATE: 01-27-2014
	9100 & F9100 x Y*08 / 08C, Y*09 / 09C. Y*23	TEMPLATE NUMBER T-9107④
	Note * Denotes all Lever Design Styles VERTICAL ROD EXIT DEVICE	

RHR SHOWN
LHR OPPOSITE



NOTES:

1. SEE MASTER SHEET #T-0001 FOR SUGGESTED DOOR REINFORCEMENT.
2. SEE ADDITIONAOL DEVICE TEMPLATE WHEN REQUIRED.
3. TRIM WILL COVER STANDARD SDI CUTOUT.

REV. No. 3

REVISION: Lever Style Notes

DATE: 1-16-14



Y*23 TRIM

Note; * Denotes all Lever Design Styles

TEMPLATE NUMBER

T-9006 ③