

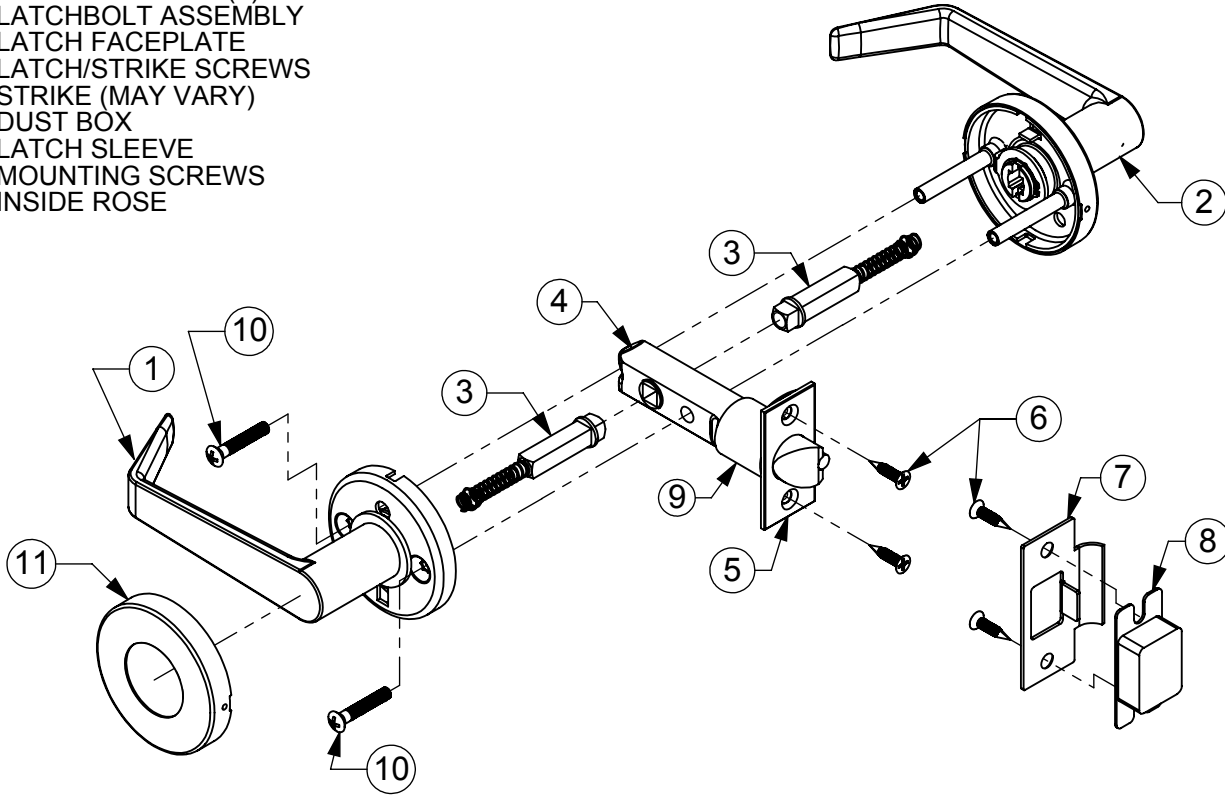
T900 TUBULAR LOCK INSTALLATION FIRE RATED



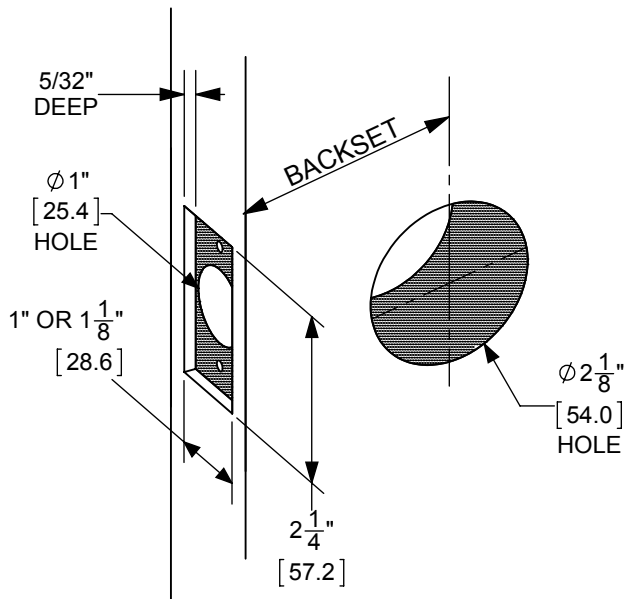
TOOLS REQUIRED FOR INSTALLATION

- PHILLIPS SCREWDRIVER
- 1" HOLE SAW
- 2-1/8" HOLE SAW

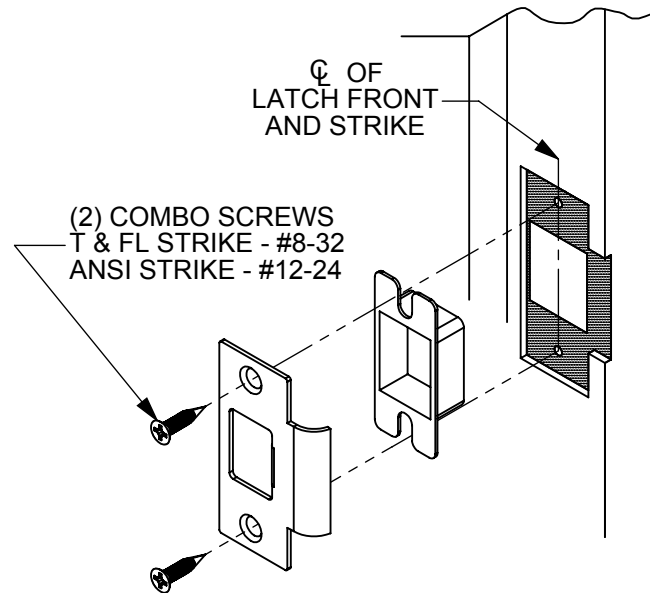
- 1 - INSIDE LEVER ASSEMBLY
- 2 - OUTSIDE LEVER ASSEMBLY
- 3 - SPINDLE/SRING (2)
- 4 - LATCHBOLT ASSEMBLY
- 5 - LATCH FACEPLATE
- 6 - LATCH/STRIKE SCREWS
- 7 - STRIKE (MAY VARY)
- 8 - DUST BOX
- 9 - LATCH SLEEVE
- 10 - MOUNTING SCREWS
- 11 - INSIDE ROSE



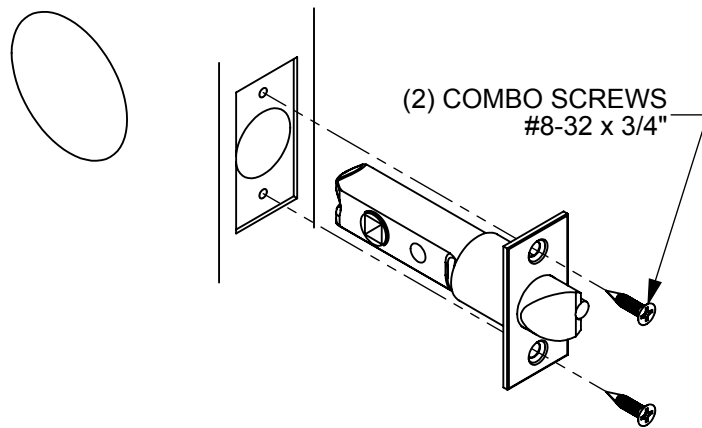
1 PREPARE DOOR USE INCLUDED TEMPLATE



2 PREPARE FRAME FOR STRIKE PLATE



3



4

